

2006 Bobcat T180 Turbo High Flow Track Loader Service Repair Workshop Manual
524211001-527611001





Bobcat®

Service Manual

S220 Skid-Steer Loader

S/N 530711001 & Above
S/N 530811001 & Above

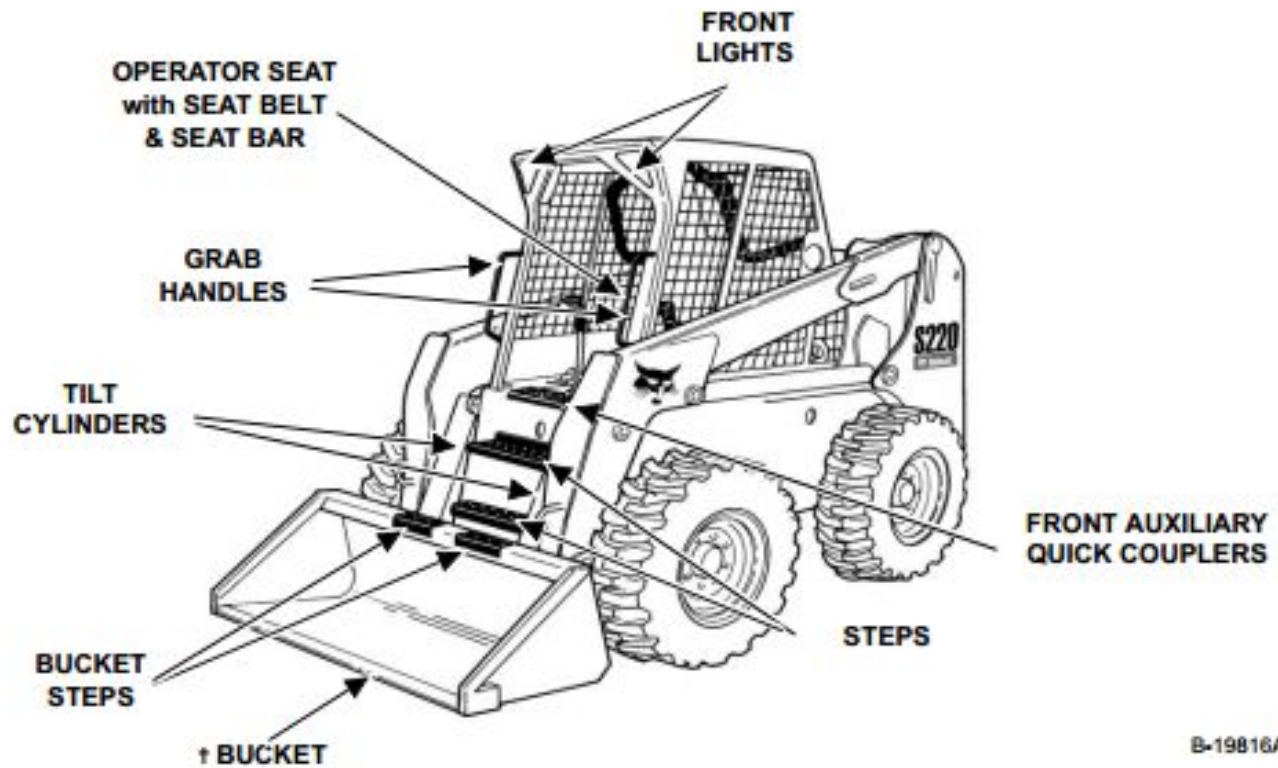


Dealer Copy -- Not for Resale

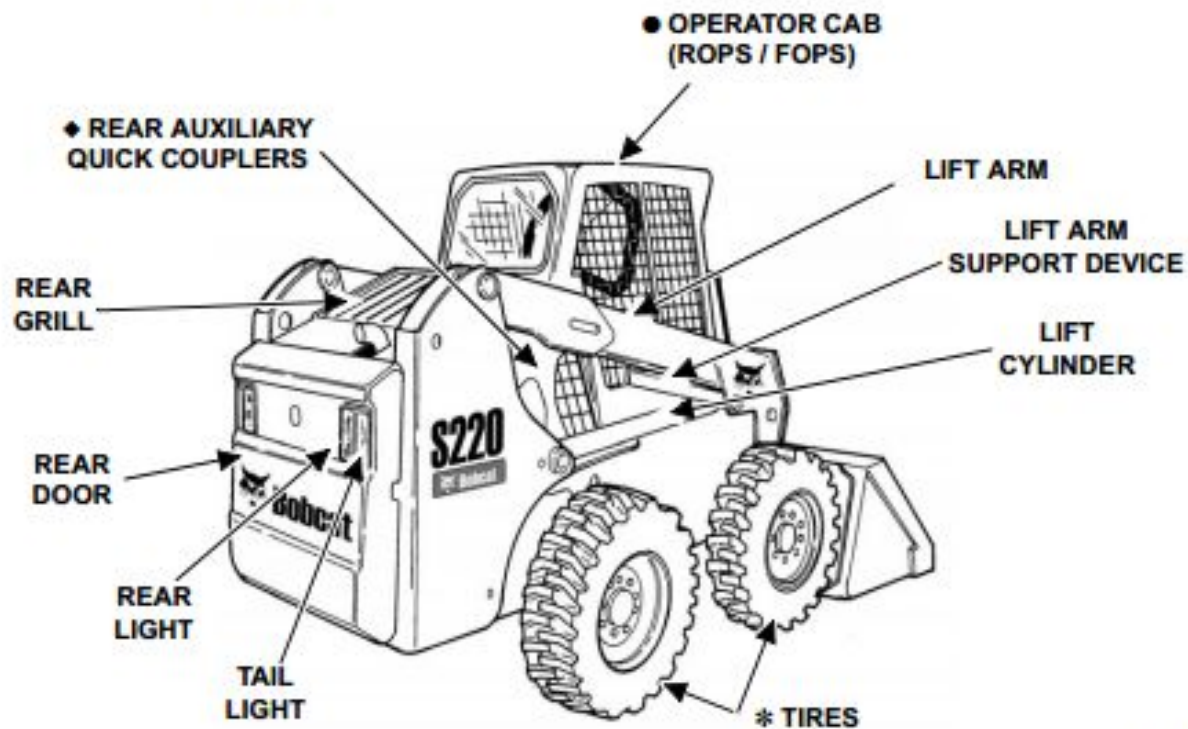
EQUIPPED WITH
BOBCAT INTERLOCK
CONTROL SYSTEM (BICS)



LOADER IDENTIFICATION



B-19816A



B-19813A

◆ Optional or Field Accessory (Not Standard Equipment)

* TIRES - Tires shown may not be standard. The machine is factory equipped with standard tires. Other tires are available.

† Bucket - Several different buckets and other attachments are available for this machine.

● ROPS, FOPS - Roll Over Protective Structure, per SAE J1040 and ISO 3471, and Falling Object Protective Structure per SAE J1043 and ISO 3449, Level I. Level II is available.

Dealer Copy -- Not for Resale

**REMOTE START TOOL (SERVICE TOOL) KIT -
6689779 (CONT'D)**

Remote Start Procedure

! WARNING

AVOID INJURY OR DEATH

With the 7-pin connector plugged into the loader and Remote Start Tool RUN button is not illuminated, the loader can still be started from the operator panel inside the cab.

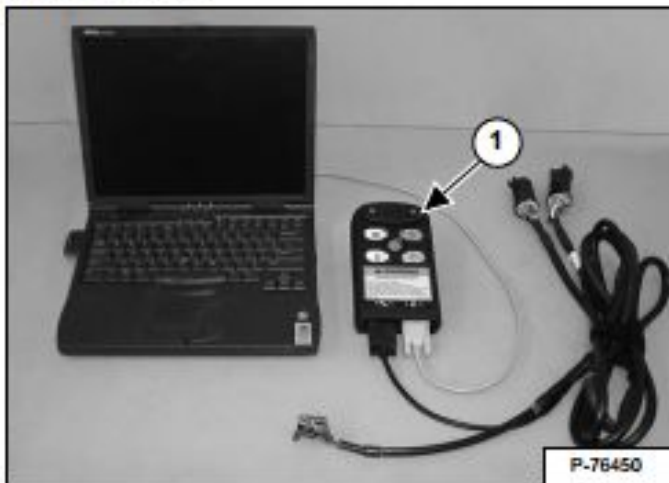
Pressing the RUN button on the Remote Start Tool disconnects the operator panel from the start circuit. If the service technician will be working in the engine area it is important to remove the operator panel key or lock the keypad with a unique password.

W-2647-0707

The tool listed will be needed to do the following procedure:

6689779: Remote Start Tool (Service Tool) Kit

Figure 10-61-23



The Remote Start Tool (Service Tool) (Item 1) [Figure 10-61-23] is required when the operator cab is in the raised position for service and the service technician needs to turn on the loader or start the engine. Example: adjusting the steering linkage.

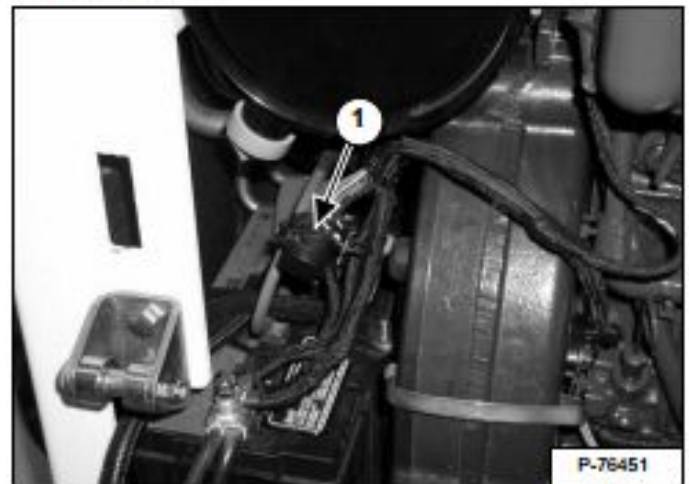
Lift and block the loader.

Raise the lift arms (if required by the procedure) and install an approved lift arm support device.

Raise the operator cab (if required by the procedure).

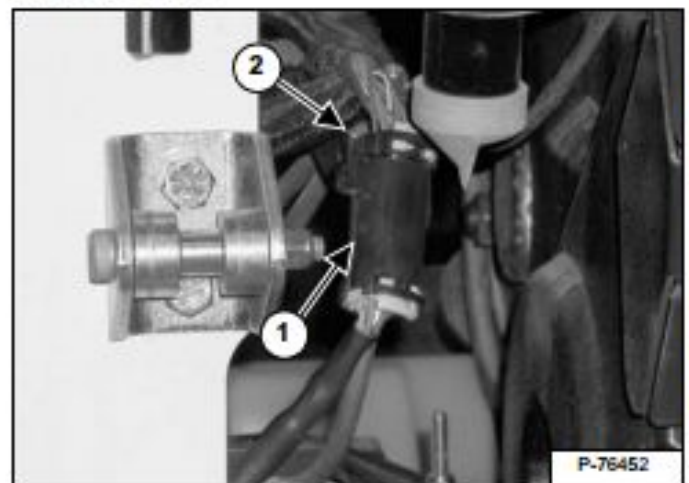
Open the rear door of the loader.

Figure 10-61-24



Loaders without an attachment control harness, remove the loader harness cap (Item 1) [Figure 10-61-24] and connect the Loader Service Tool Harness from the Remote Start Tool (Service Tool).

Figure 10-61-25



Loaders with an attachment control harness (7 pin or 14 pin), the attachment harness (Item 1) must be disconnected from the loader harness (Item 2) [Figure 10-61-25].

When the remote start procedure is completed, replace the loader connector cap (Item 1) [Figure 10-61-25] or reconnect the attachment control harness to the loader harness [Figure 10-61-25].

Dealer Copy -- Not for Resale



Thank you very much
for your reading.
Please click here
to get more information.