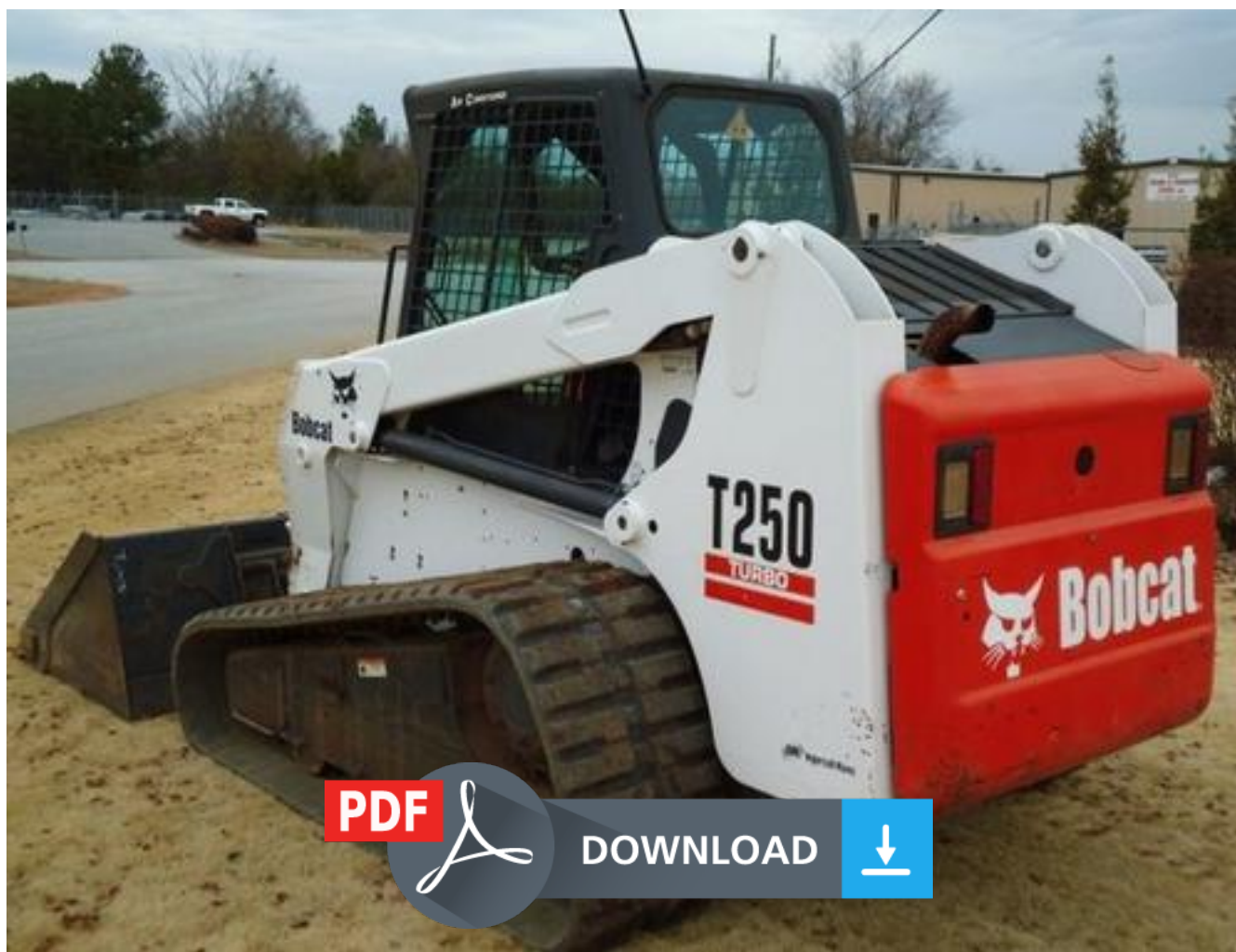


2008 Bobcat 337, 341 Compact Excavator Service Repair Workshop Manual
AAC811001-A9W911001





Bobcat®

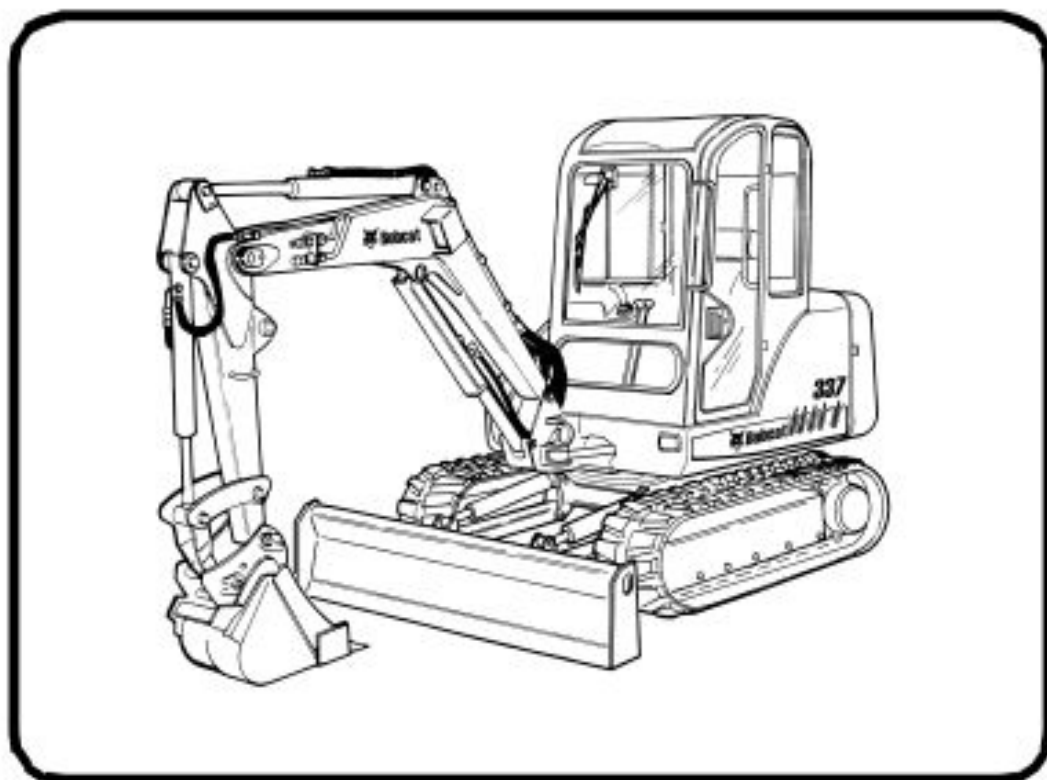
Service Manual

337, 341 Compact Excavator

337 - S/N AAC811001 & Above

337 - S/N A9W711001 & Above

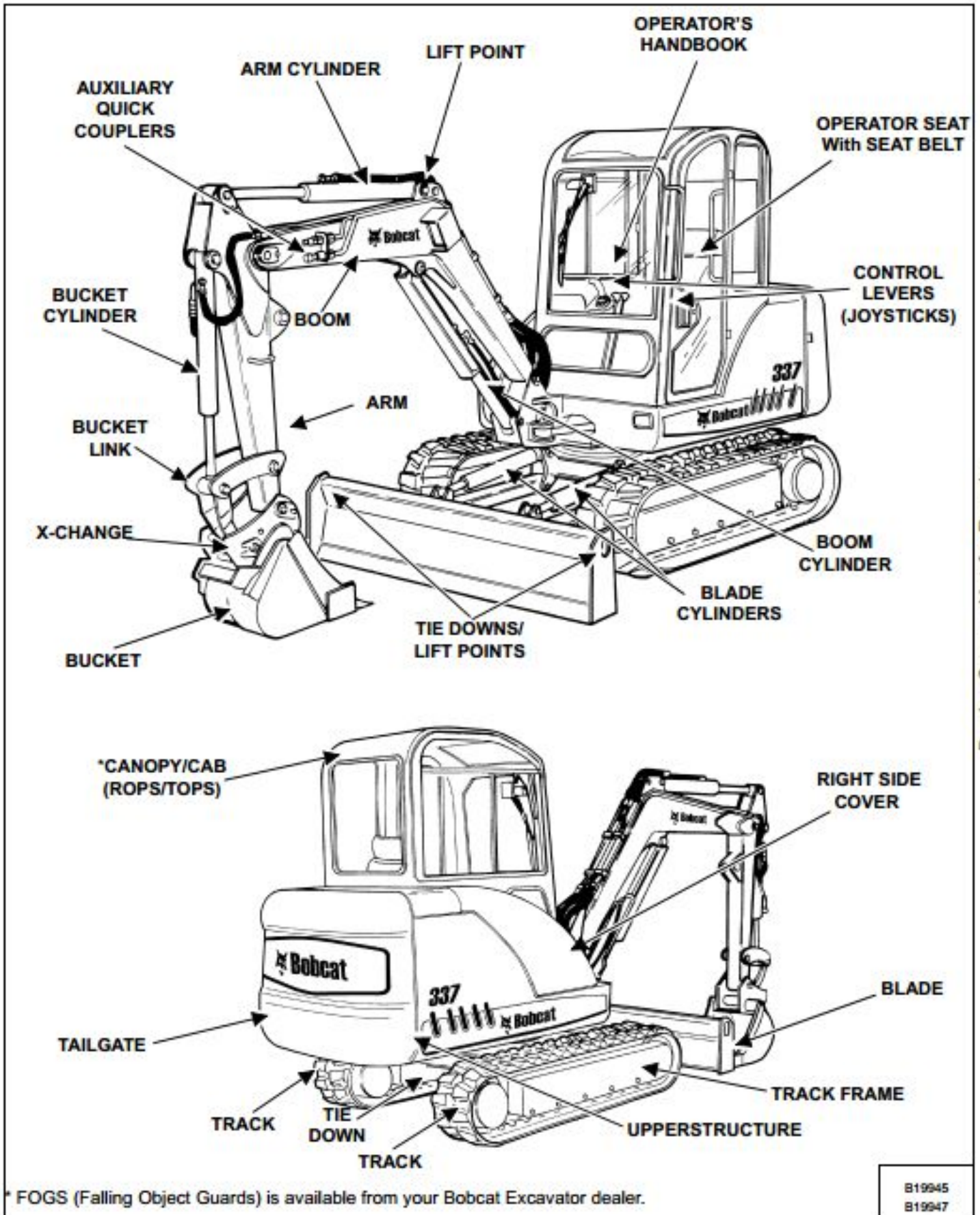
341 - S/N A9W911001 & Above



Dealer Copy -- Not for Resale



BOBCAT EXCAVATOR IDENTIFICATION



Dealer Copy -- Not for Resale

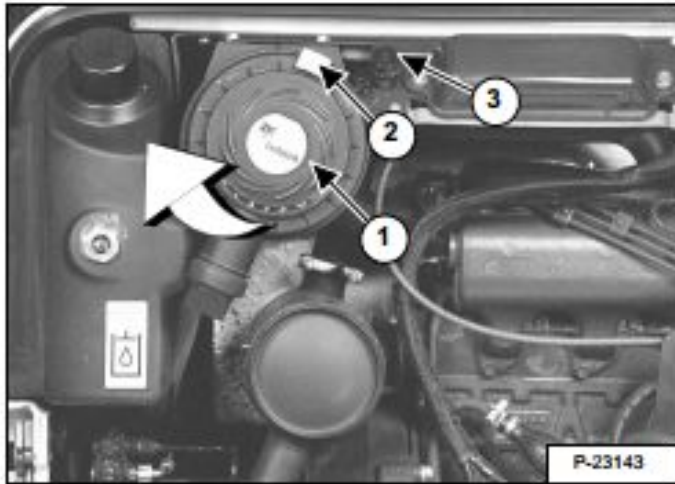
B19945
B19947

AIR CLEANER (CONT'D)

Replacing The Filters (Cont'd)

Outer Filter (Cont'd)

Figure 10-60-7



Install the dust cup (Item 1) [Figure 10-60-7] and turn 1/8 turn.

Push the locking tab in (Item 2) [Figure 10-60-7].

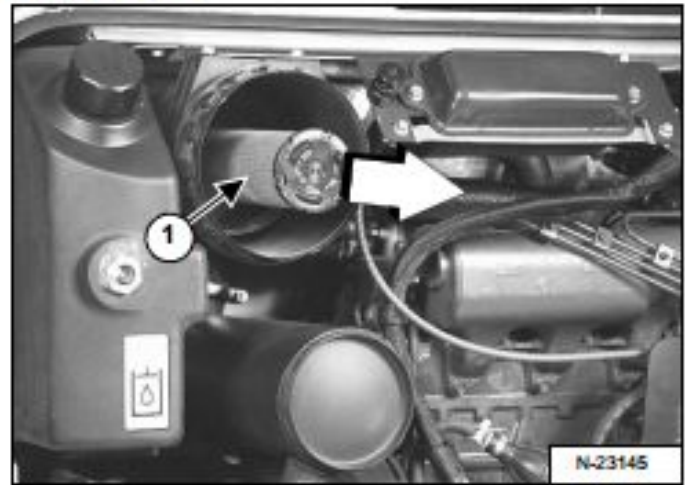
Check the air intake hose and the air cleaner housing for damage. Make sure all connections are tight.

Inner Filter

Only replace the inner filter under the following conditions:

- Replace the inner filter every *third* time the outer filter is replaced.
- After the outer filter has been replaced, press the button (Item 3) [Figure 10-60-7] on the top of the condition indicator and start the engine. Run at full RPM, then reduce engine speed and stop the engine. If the red ring shows in the condition indicator, replace the inner filter.

Figure 10-60-8



Remove the dust cup, outer filter and inner filter (Item 1) [Figure 10-60-8].

NOTE: Make sure all sealing surfaces are free of dirt and debris.

Install the new inner filter.

Install the outer filter and the dust cup.

Press the button on the condition indicator to remove the red ring.



Thank you very much
for your reading.
Please click here
to get more information.