

Bobcat 116 Hydraulic Excavator Service Repair Workshop Manual





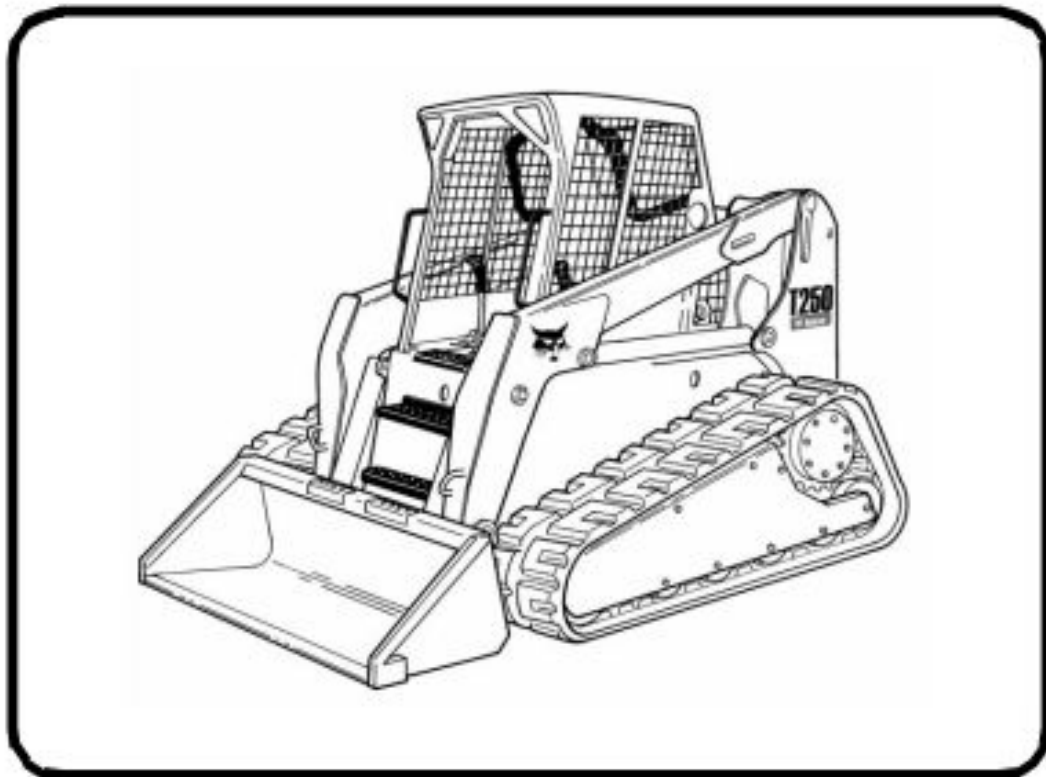
Bobcat®

Service Manual

T250 Compact Track Loader

S/N A5GS11001 - A5GS19999

S/N A5GT11001 - A5GT19999



Dealer Copy -- Not for Resale

**EQUIPPED WITH
BOBCAT INTERLOCK
CONTROL SYSTEM (BICS)**



CONTENTS

DELIVERY REPORT.....	X
FOREWORD.....	II
LOADER IDENTIFICATION	XI
SAFETY INSTRUCTIONS	V
SERIAL NUMBER LOCATIONS	IX
SAFETY AND MAINTENANCE.....	10-01
HYDRAULIC SYSTEM	20-01
HYDROSTATIC SYSTEM.....	30-01
DRIVE SYSTEM	40-01
MAIN FRAME	50-01
ELECTRICAL SYSTEM & ANALYSIS.....	60-01
ENGINE SERVICE	70-01
HEATING, VENTILATION, AIR CONDITIONING	80-01
SPECIFICATIONS.....	SPEC-01

**SAFETY &
MAINTENANCE**

**HYDRAULIC
SYSTEM**

**HYDROSTATIC
SYSTEM**

**DRIVE
SYSTEM**

MAIN FRAME

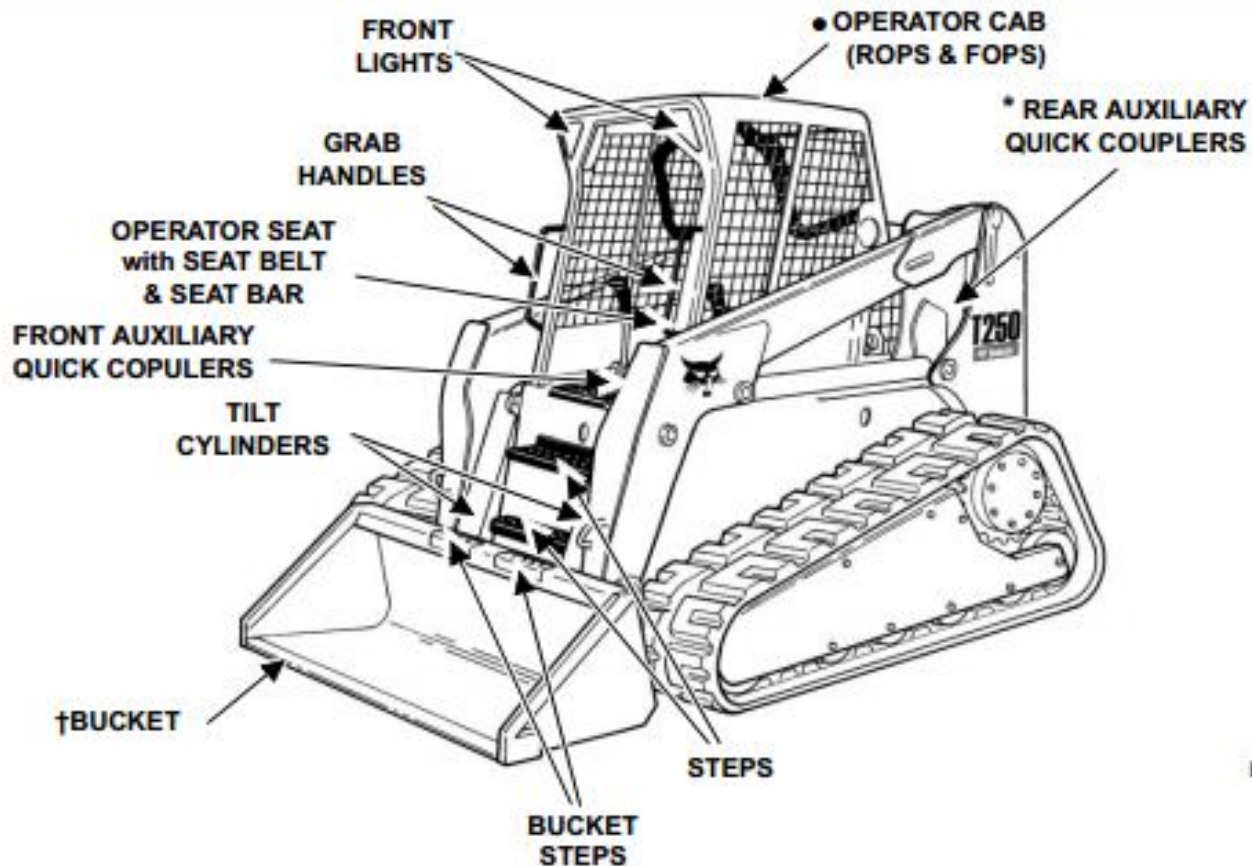
**ELECTRICAL
SYSTEM &
ANALYSIS**

**ENGINE
SERVICE**

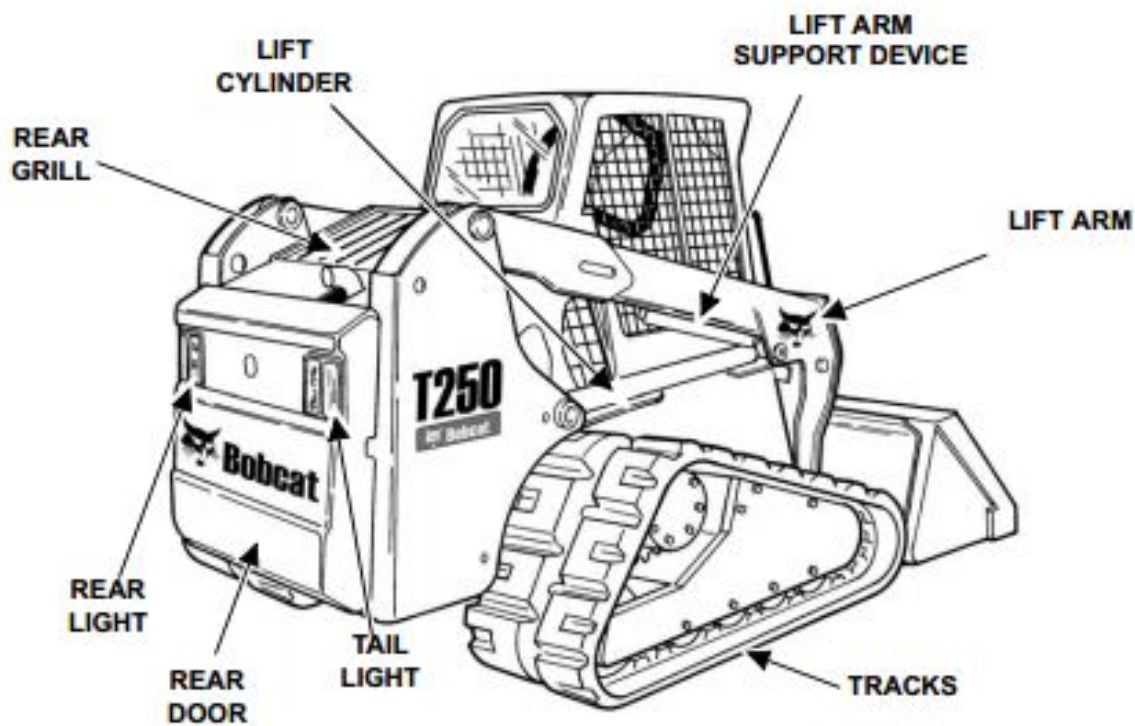
HVAC

SPECIFICATIONS

LOADER IDENTIFICATION



B-19872A



B-19875A

* Option or Field Accessory

† Many buckets and other attachments are available.

● ROPS, FOPS - Roll Over Protective Structure per SAE / ISO 3471, and Falling Object Protective Structure ISO 3449, Level I. Level II is available.

Dealer Copy -- Not for Resale



Thank you very much
for your reading.
Please click here
to get more information.