

Bobcat 435 Compact Excavator Service Repair Workshop Manual AACB11001-AA8A11001

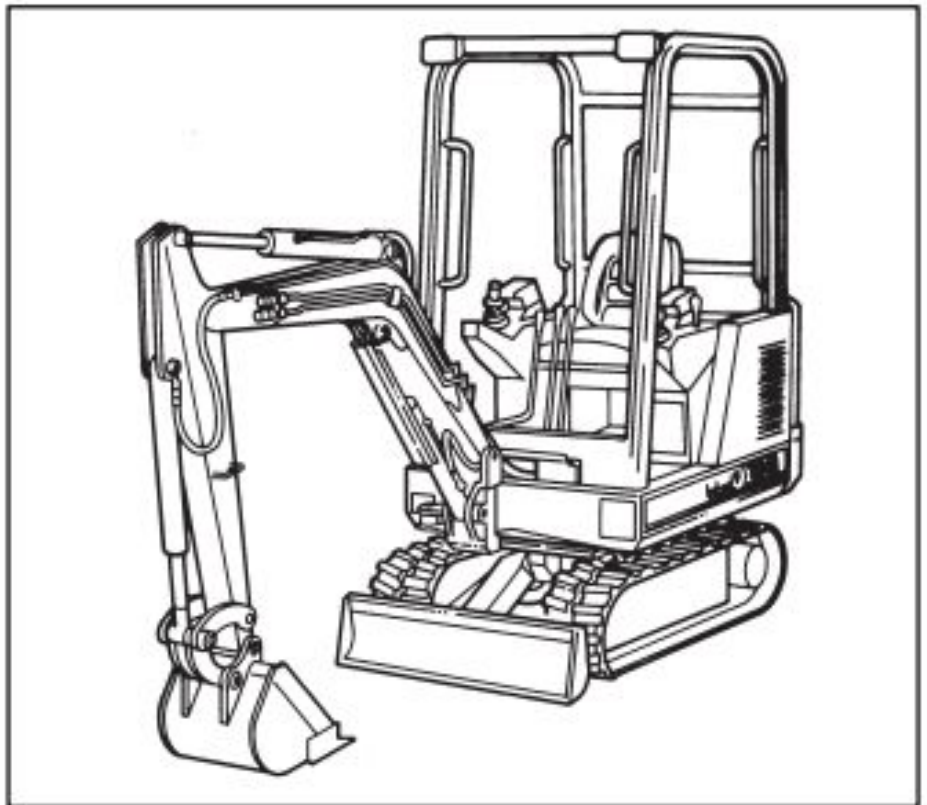


X 320/322

Excavator

Service Manual

(S/N 562313001 & Above)
(S/N 517811001 & Above)



Dealer Copy -- Not for Resale

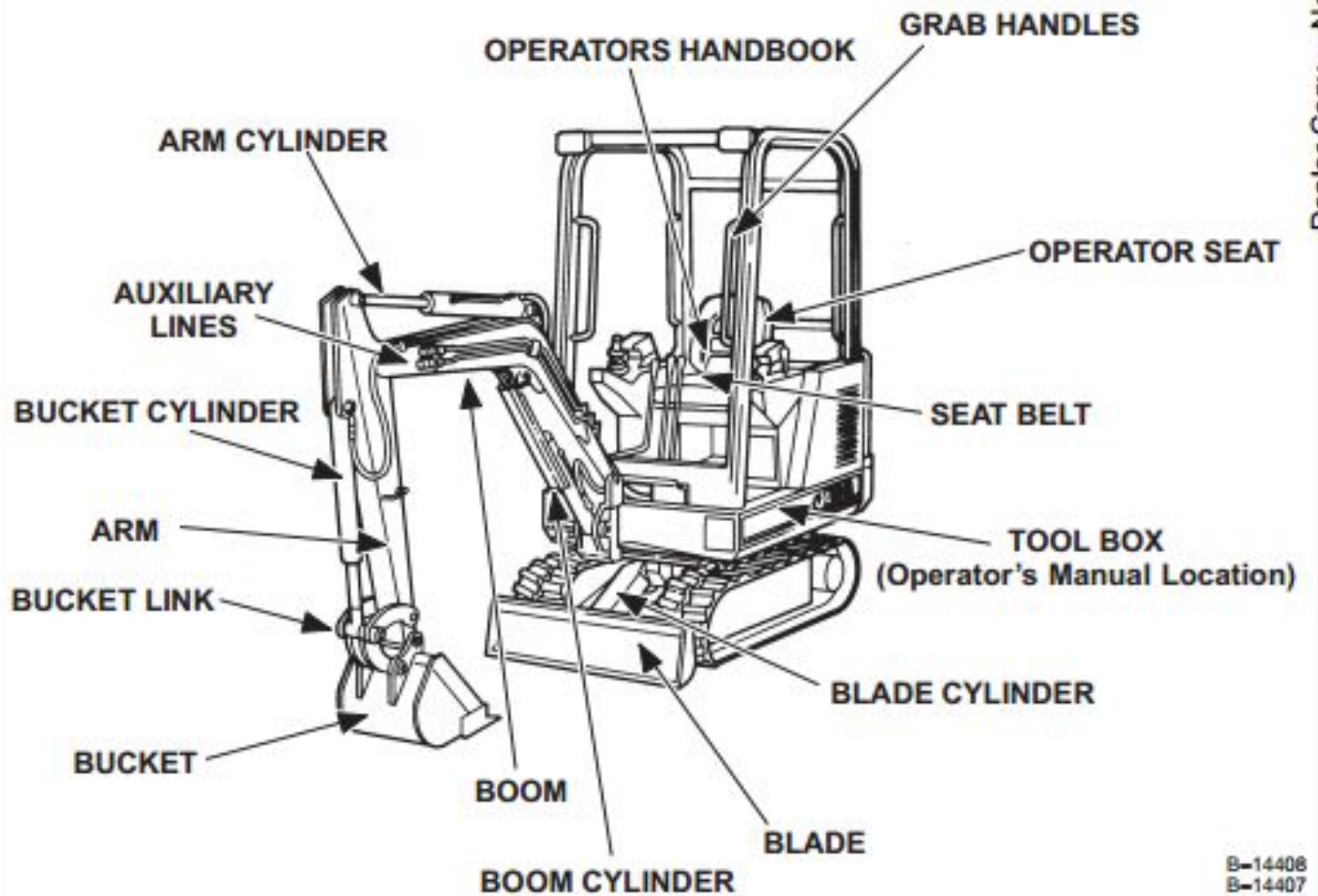
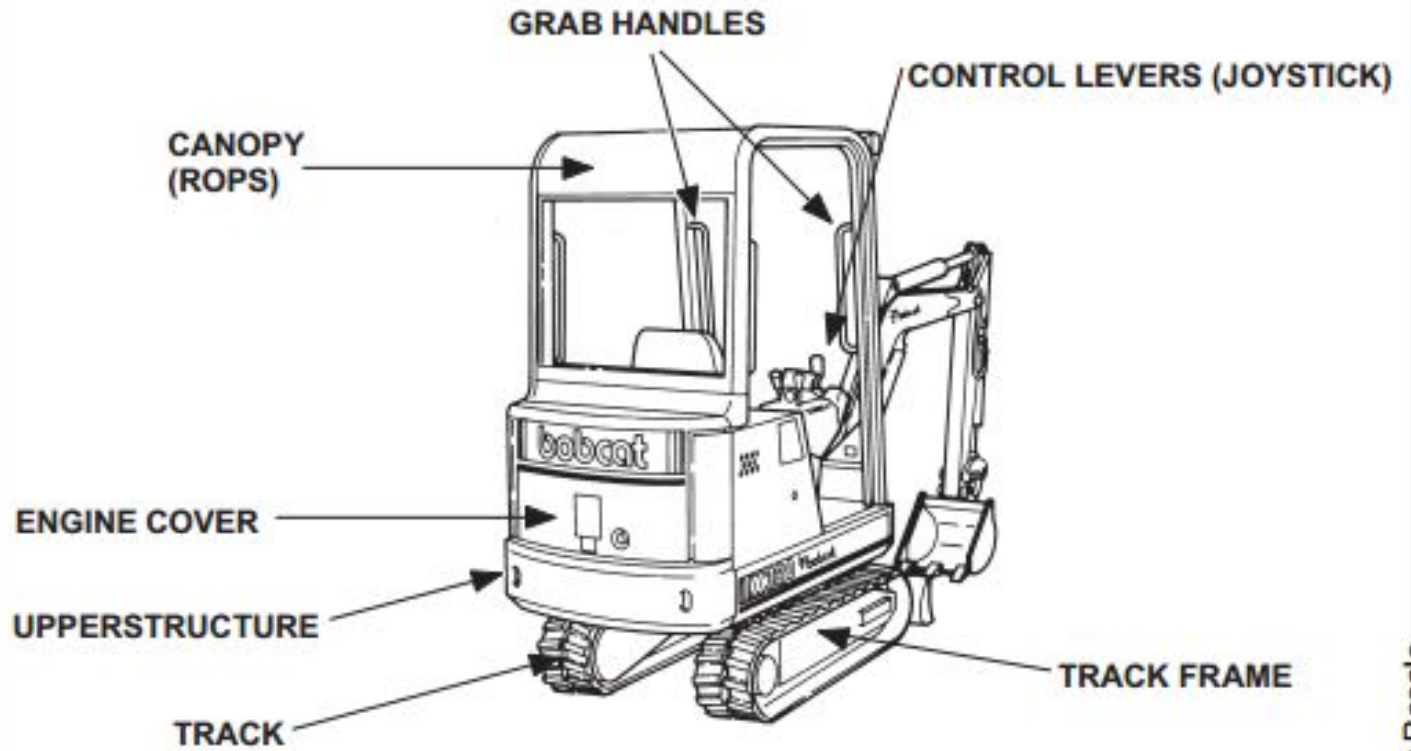


8724910(1-97)

Printed in U.S.A.

© Bobcat Company 1997

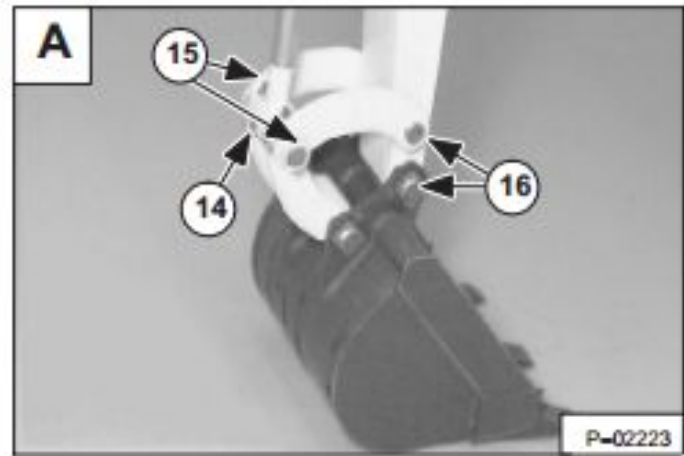
HYDRAULIC EXCAVATOR IDENTIFICATION



B-14408
B-14407

LUBRICATION OF THE HYDRAULIC EXCAVATOR (Cont'd)

- 14. Bucket Cylinder Rod End, every 8 to 10 hours (1) [A].
- 15. Bucket Link Pivots, every 8 to 10 hours (2) [A].
- 16. Bucket Pivots, every 8 to 10 hours (3) [A].



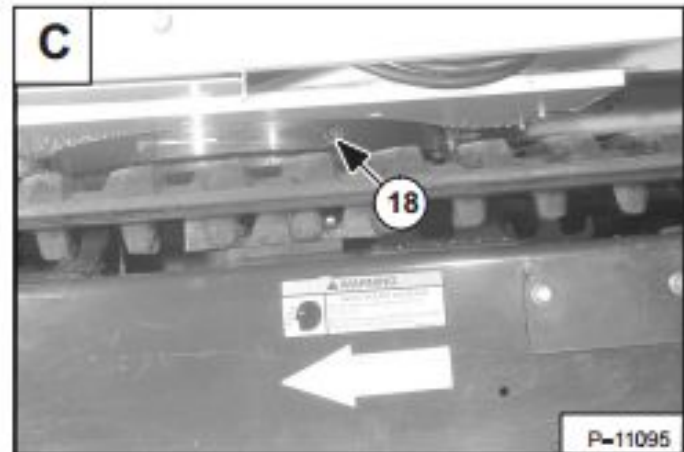
- 17. Boom Swing Cylinder Base End, every 8 to 10 hours (1) [B].

NOTE: Access to the grease fitting is from under the upperstructure, right side.



- 18. Swing Circle Ball Bearing, every 50 hours (2) [C].

NOTE: Do not over grease the swing circle or damage to the seal could result. Install 4 to 5 pumps of grease from a grease gun into each of the 2 grease fittings. Rotate the upperstructure 90° and install 4 to 5 pumps of grease into each of the 2 grease fittings.



- 19. Swing Circle Pinion, every 50 hours (Item 1) [D].
Install 4 pumps of grease from a grease gun into the grease fitting. Rotate the upperstructure 180° and install 4 more pumps of grease into the grease fitting.



Dealer Copy -- Not for Resale



Thank you very much
for your reading.
Please click here
to get more information.