



PDF



DOWNLOAD



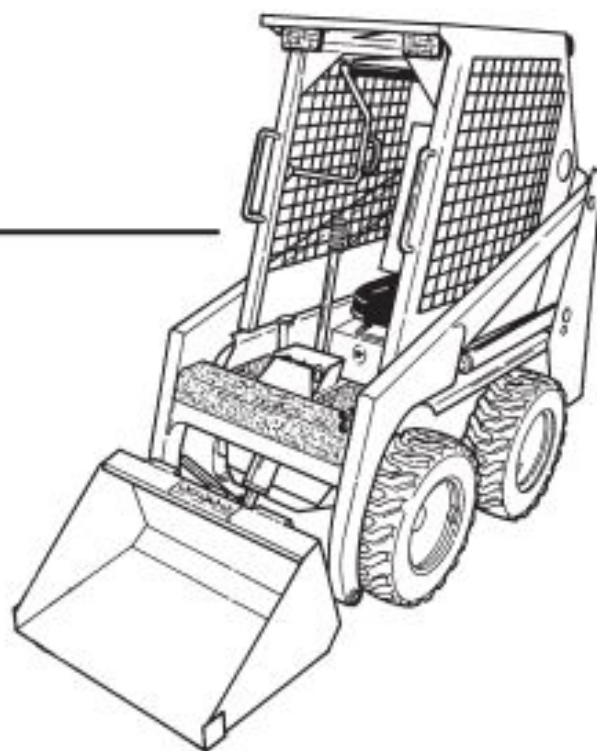
453



Bobcat®

Service Manual

S/N 515011001 & Above
S/N 515111001 & Above



EQUIPPED WITH
BOBCAT INTERLOCK
CONTROL SYSTEM (BICS™)

6900363 (5-97)

1 of 288

IR Bobcat
Printed in U.S.A.

© Bobcat Company 1997

Dealer Copy -- Not for Resale

CONTENTS

| | |
|------------------------------------|------|
| FOREWORD | ii |
| SAFETY INSTRUCTIONS | v |
| SERIAL NUMBER LOCATIONS | vii |
| DELIVERY REPORT | vii |
| BOBCAT LOADER IDENTIFICATION | viii |
| PREVENTIVE MAINTENANCE | 1-1 |
| HYDRAULIC SYSTEM | 2-1 |
| HYDROSTATIC SYSTEM | 3-1 |
| DRIVE SYSTEM | 4-1 |
| MAIN FRAME | 5-1 |
| ELECTRICAL SYSTEM | 6-1 |
| ENGINE SERVICE | 7-1 |
| SYSTEMS ANALYSIS | 8-1 |
| SPECIFICATIONS | 9-1 |

**CALIFORNIA
PROPOSITION 65 WARNING**

Diesel engine exhaust and some of its constituents are known to the State of California to cause cancer, birth defects and other reproductive harm.

**PREVENTIVE
MAINTENANCE**

**HYDRAULIC
SYSTEM**

**HYDROSTATIC
SYSTEM**

**DRIVE
SYSTEM**

**MAIN
FRAME**

**ELECTRICAL
SYSTEM**

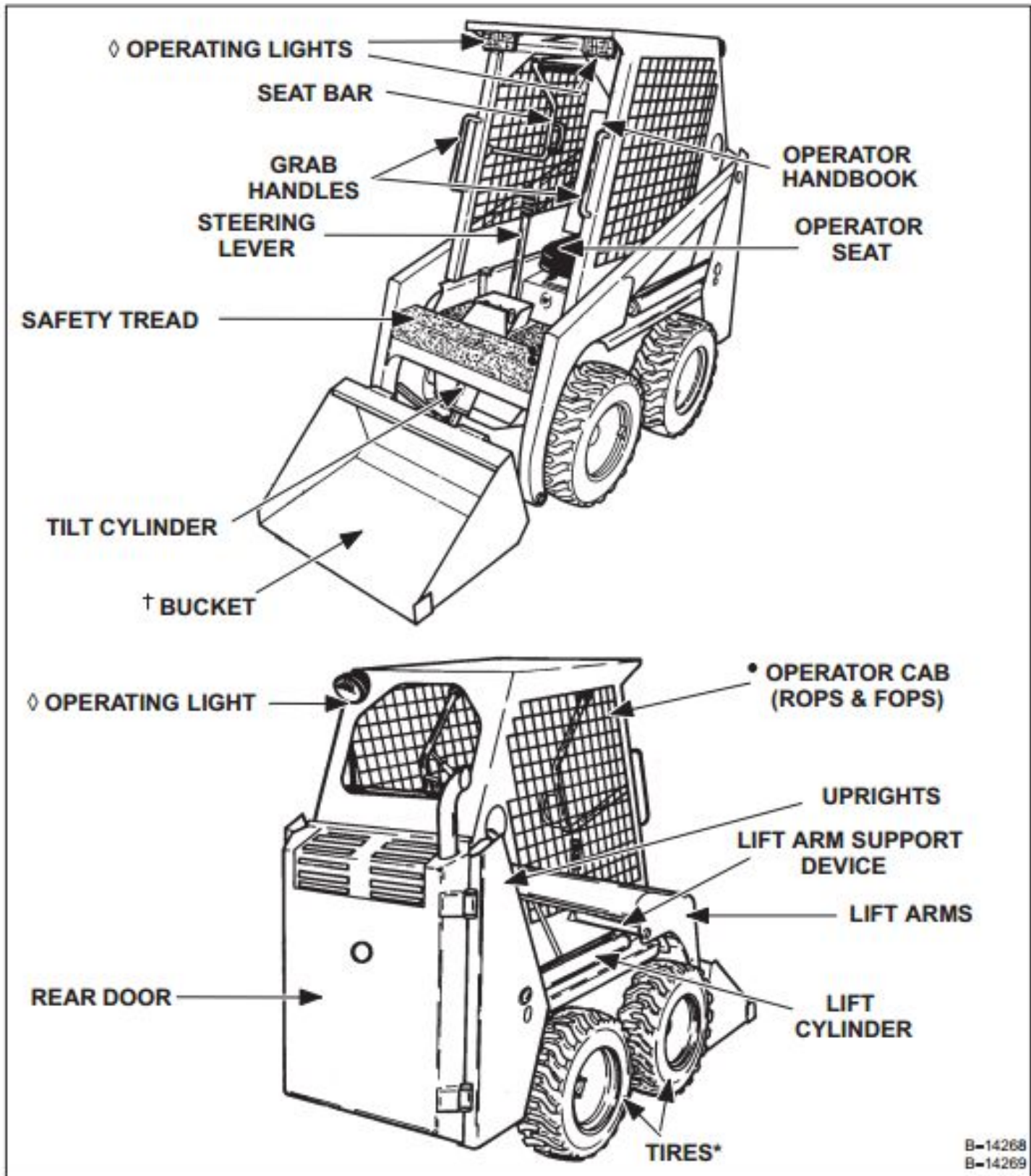
**ENGINE
SERVICE**

**SYSTEMS
ANALYSIS**

SPECIFICATIONS

Dealer Copy -- Not for Resale

BOBCAT SKID STEER LOADER IDENTIFICATION



Dealer Copy -- Not for Resale

◇ FACTORY OPTION OR FIELD ACCESSORY (Not Standard Equipment)

* TIRES – Flotation tires (Optional) are shown. Bobcats are base-equipped with standard tires.

† BUCKET – Several different buckets and other attachments are available for the Bobcat loader.

• ROPS, FOPS – Roll-Over Protective Structure, Falling Object Protective Structure, per SAE J1040 and ISO 3471, and Falling Object Protective Structure per SAE J1043 and ISO 3449, Level I. The Bobcat loader is base-equipped with a standard operator cab as shown. Extra insulated cab is available as an option (Reduced noise level).

B-14268
B-14269



Thank you very much
for your reading.
Please click here
to get more information.