

# Bobcat 630 631 632 Skid Steer Loader Service Repair Workshop Manual



# T190

**TURBO**

# T190

**TURBO**

**HIGH FLOW**



# Bobcat®

## Service Manual

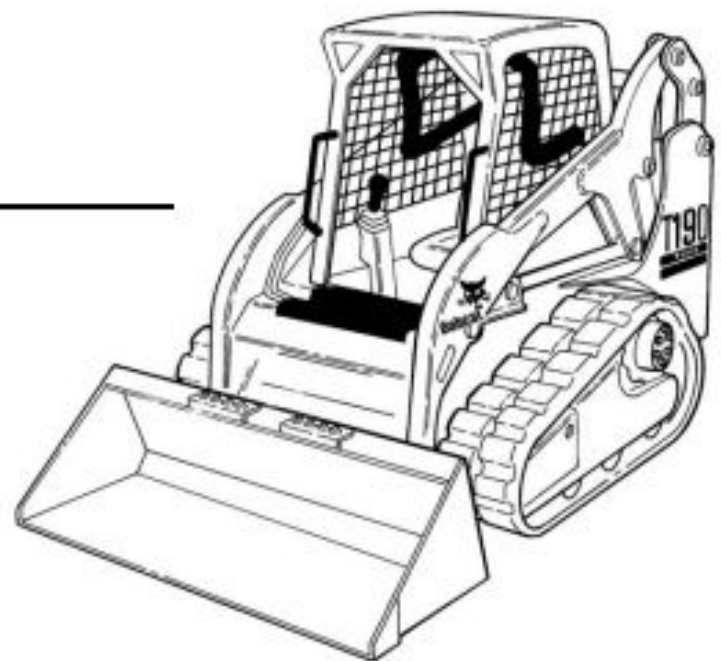
### G Series

S/N 527011001 & Above

S/N 527911001 & Above

S/N 527711001 & Above

S/N 527811001 & Above



Dealer Copy - Not for Resale

**EQUIPPED WITH  
BOBCAT INTERLOCK  
CONTROL SYSTEM (BICS™)**

6902734 (2-06)

1 of 969

**IR** Ingersoll Rand  
Compact Vehicle Technologies  
Printed in U.S.A.

© Bobcat Company 2006

## CONTENTS

FOREWORD.....	II
SAFETY INSTRUCTIONS .....	V
SERIAL NUMBER LOCATIONS .....	IX
DELIVERY REPORT .....	X
BOBCAT LOADER IDENTIFICATION.....	XI
SAFETY & MAINTENANCE .....	10-01
HYDRAULIC SYSTEM .....	20-01
HYDROSTATIC SYSTEM.....	30-01
DRIVE SYSTEM .....	40-01
MAIN FRAME .....	50-01
ELECTRICAL SYSTEM .....	60-01
ENGINE SERVICE .....	70-01
HEATING, VENTILATION, AIR CONDITIONING .....	80-01
SPECIFICATIONS.....	SPEC-01

**SAFETY &  
MAINTENANCE**

**HYDRAULIC  
SYSTEM**

**HYDROSTATIC  
SYSTEM**

**DRIVE  
SYSTEM**

**MAIN FRAME**

**ELECTRICAL  
SYSTEM &  
ANALYSIS**

**ENGINE  
SERVICE**

**HVAC**

**SPECIFICATIONS**



## OPERATOR CAB (CONT'D)

### Raising The Operator Cab (Cont'd)

Figure 10-30-3



Lift on the grab handle and bottom of the operator cab slowly until the cab is all the way up and the latching mechanism engages [Figure 10-30-3].

### Lowering The Operator Cab

Figure 10-30-4



Always stop the engine before raising or lowering the cab.

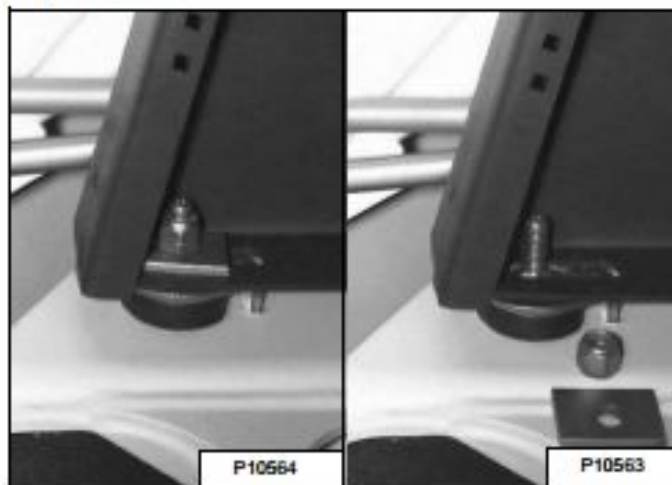
**NOTE:** Make sure the seat bar is fully raised or lowered when lowering the cab. Always use the grab handles to lower the cab.

Release the latching mechanism (Inset) [Figure 10-30-4] and pull the cab all the way down.

Pull down on the bottom of the operator cab until it stops at the latching mechanism [Figure 10-30-4].



Figure 10-30-5



Install the plates and nuts [Figure 10-30-5] (both sides).

Tighten the nuts to 40-50 ft.-lbs. (54-68 Nm) torque.



Thank you very much  
for your reading.  
Please click here  
to get more information.