



HYDROSTATIC PUMP

COMPONENT REPAIR MANUAL



Dealer Copy -- Not for Resale

MELROE
INGERSOLL-RAND

6570269(3-86)
1 of 190



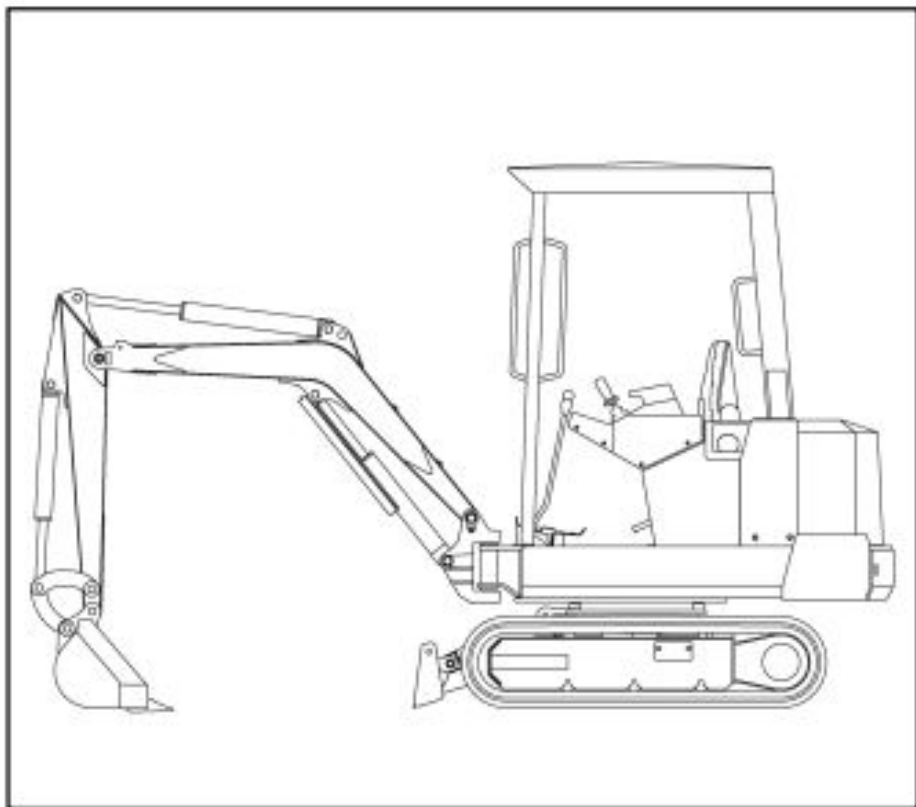
bobcat
© Melroe Company 1997
Printed in U.S.A.

X 220

Excavator

Service Manual

(S/N 508211999 & Below)



MELROE
INGERSOLL-RAND

6720230(5-89)

1 of 256

Printed in U.S.A.

 **bobcat**
© Melroe Company 1989

Dealer Copy -- Not for Resale

CONTENTS

FOREWORD.....	II
SAFETY INSTRUCTIONS	V
SERIAL NUMBER LOCATION	IX
DELIVERY REPORT.....	X
LOADER IDENTIFICATION	XI
SAFETY AND MAINTENANCE.....	10-01
HYDRAULIC SYSTEM	20-01
HYDROSTATIC SYSTEM.....	30-01
DRIVE SYSTEM	40-01
MAIN FRAME	50-01
ELECTRICAL SYSTEM & ANALYSIS	60-01
ENGINE SERVICE	70-01
HEATING, VENTILATION, AIR CONDITIONING.....	80-01
SPECIFICATIONS	SPEC-01

**SAFETY &
MAINTENANCE**

**HYDRAULIC
SYSTEM**

**HYDROSTATIC
SYSTEM**

**DRIVE
SYSTEM**

**MAIN
FRAME**

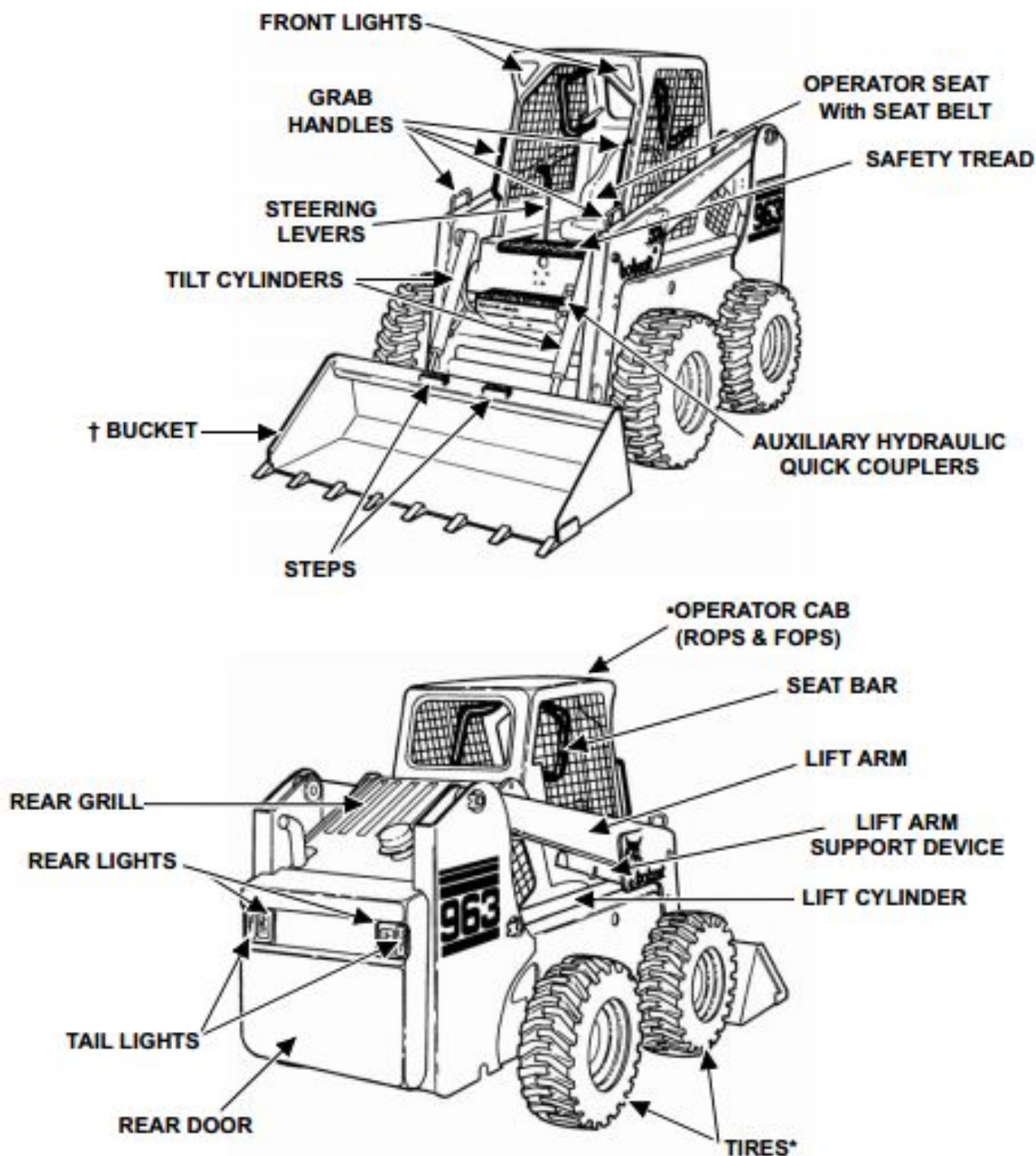
**ELECTRICAL
SYSTEM &
ANALYSIS**

**ENGINE
SERVICE**

HVAC

SPECIFICATIONS

BOBCAT LOADER IDENTIFICATION



* TIRES - Flotation tires (optional) are shown. The Bobcat loader is factory equipped with standard tires.

† BUCKET - Several different buckets and other attachments are available for the Bobcat loader.

• ROPS, FOPS - Roll Over Protective Structure, Falling Object Protective Structure, per SAE J1040 and ISO 3471, and Falling Object Protective Structure per SAE J1043 and ISO 3449, Level I. Level II is available. The Bobcat loader is base-equipped with a standard operator cab as shown. Extra insulated cab is available as an option (Reduced noise level).

B-15641
B-15642

Dealer Copy -- Not for Resale



Thank you very much
for your reading.
Please click here
to get more information.