

Bobcat 853 853H Skid Steer Loader Service Repair Workshop Manual  
508411001-512311001





# Bobcat®

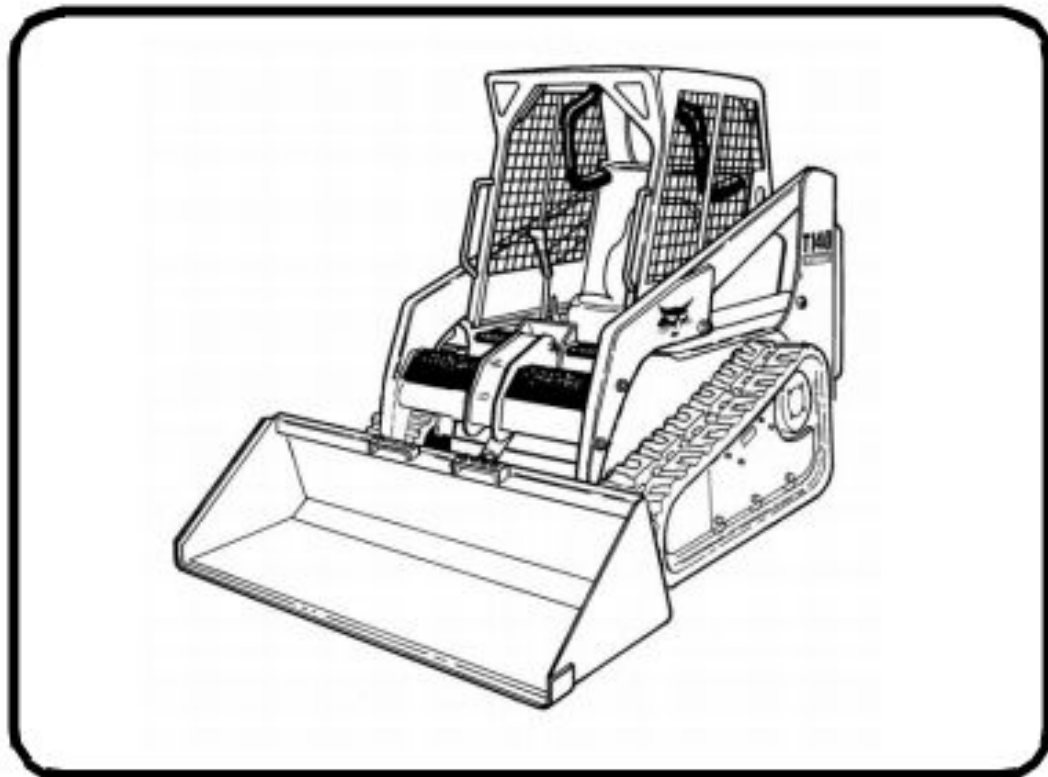
---

## Service Manual

# T140 Compact Track Loader

---

S/N A3L720001 & Above  
S/N A3L820001 & Above



Dealer Copy -- Not for Resale

EQUIPPED WITH  
BOBCAT INTERLOCK  
CONTROL SYSTEM (BICS™)



## CONTENTS

DELIVERY REPORT.....	X
FOREWORD.....	II
LOADER IDENTIFICATION .....	XI
SAFETY INSTRUCTIONS .....	V
SERIAL NUMBER LOCATIONS .....	IX
SAFETY AND MAINTENANCE.....	10-01
HYDRAULIC SYSTEM .....	20-01
HYDROSTATIC SYSTEM.....	30-01
DRIVE SYSTEM .....	40-01
MAIN FRAME .....	50-01
ELECTRICAL SYSTEM & ANALYSIS.....	60-01
ENGINE SERVICE .....	70-01
HEATER .....	80-01
SPECIFICATIONS.....	SPEC-01

**SAFETY &  
MAINTENANCE**

**HYDRAULIC  
SYSTEM**

**HYDROSTATIC  
SYSTEM**

**DRIVE  
SYSTEM**

**MAIN FRAME**

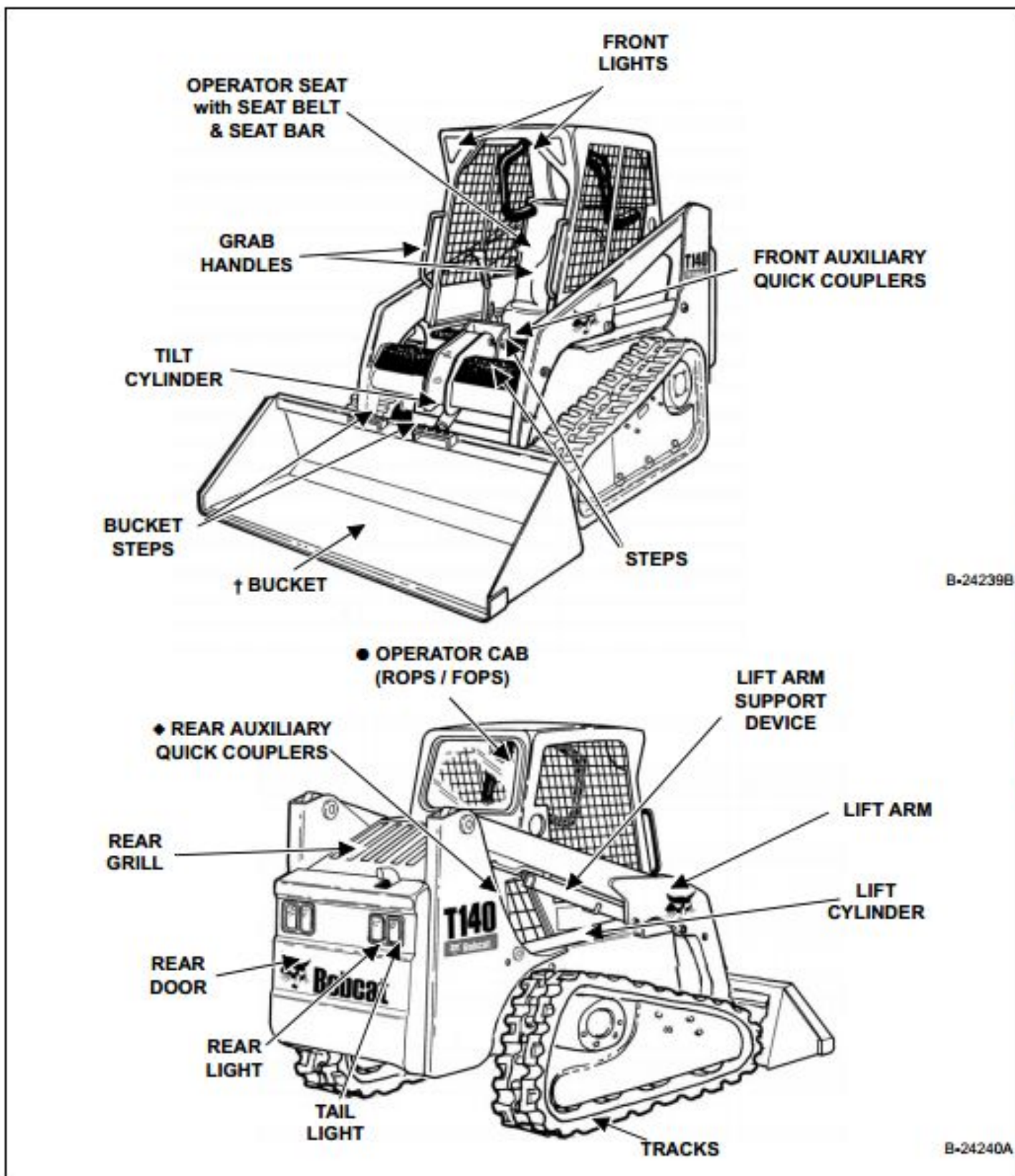
**ELECTRICAL  
SYSTEM &  
ANALYSIS**

**ENGINE  
SERVICE**

**HEATER**

**SPECIFICATIONS**

## LOADER IDENTIFICATION



B-24239B

B-24240A

◆ Optional or Field Accessory (Not Standard Equipment)

↑ Bucket - Several different buckets and other attachments are available for this machine.

● ROPS, FOPS - Roll Over Protective Structure, per ISO 3471, and Falling Object Protective Structure per ISO 3449, Level I. Level II is available.

Dealer Copy -- Not for Resale



Thank you very much  
for your reading.  
Please click here  
to get more information.