

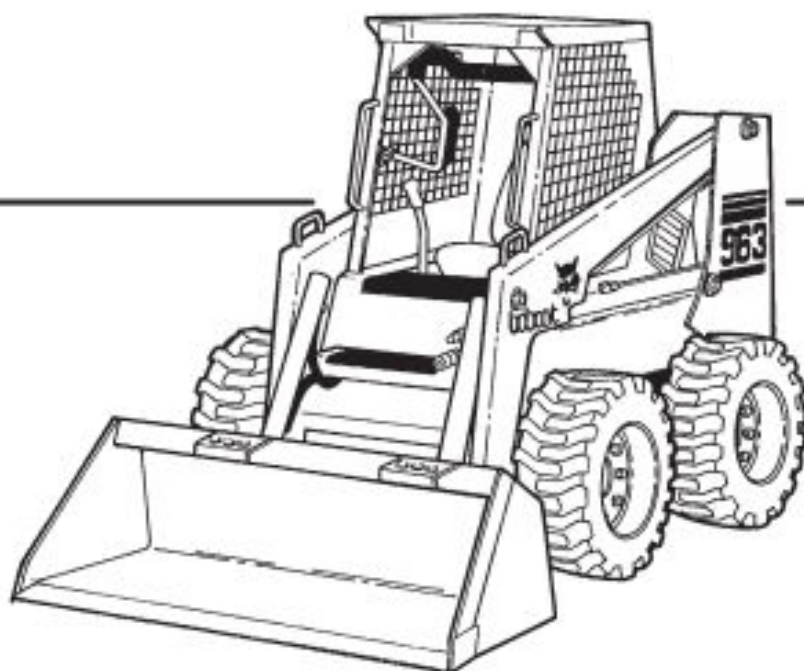
# Bobcat Hydraulic Pump Service Repair Workshop Manual



**963**



# Service Manual



Dealer Copy — Not for Resale

EQUIPPED WITH  
BOBCAT INTERLOCK  
CONTROL SYSTEM (BICS™)

1 of 486

**MELROE  
INGERSOLL-RAND**

6724545 (11-97)

Printed in U.S.A.



© Melroe Company 1997

# CONTENTS

FOREWORD .....	ii
SAFETY INSTRUCTIONS .....	v
SERIAL NUMBER LOCATIONS .....	vii
DELIVERY REPORT .....	vii
BOBCAT LOADER IDENTIFICATION .....	viii
PREVENTIVE MAINTENANCE .....	1-1
HYDRAULIC SYSTEM .....	2-1
HYDROSTATIC SYSTEM .....	3-1
DRIVE SYSTEM .....	4-1
MAIN FRAME .....	5-1
ELECTRICAL SYSTEM .....	6-1
ENGINE SERVICE .....	7-1
SYSTEM ANALYSIS .....	8-1
SPECIFICATIONS .....	9-1
ADVANCED HAND CONTROL SYSTEM .....	10-1

**CALIFORNIA  
PROPOSITION 65 WARNING**  
Diesel engine exhaust and some of its  
constituents are known to the State of California  
to cause cancer, birth defects and other  
reproductive harm.

**PREVENTIVE  
MAINTENANCE**

**HYDRAULIC  
SYSTEM**

**HYDROSTATIC  
SYSTEM**

**DRIVE  
SYSTEM**

**MAIN  
FRAME**

**ELECTRICAL  
SYSTEM**

**ENGINE  
SERVICE**

**SYSTEMS  
ANALYSIS**

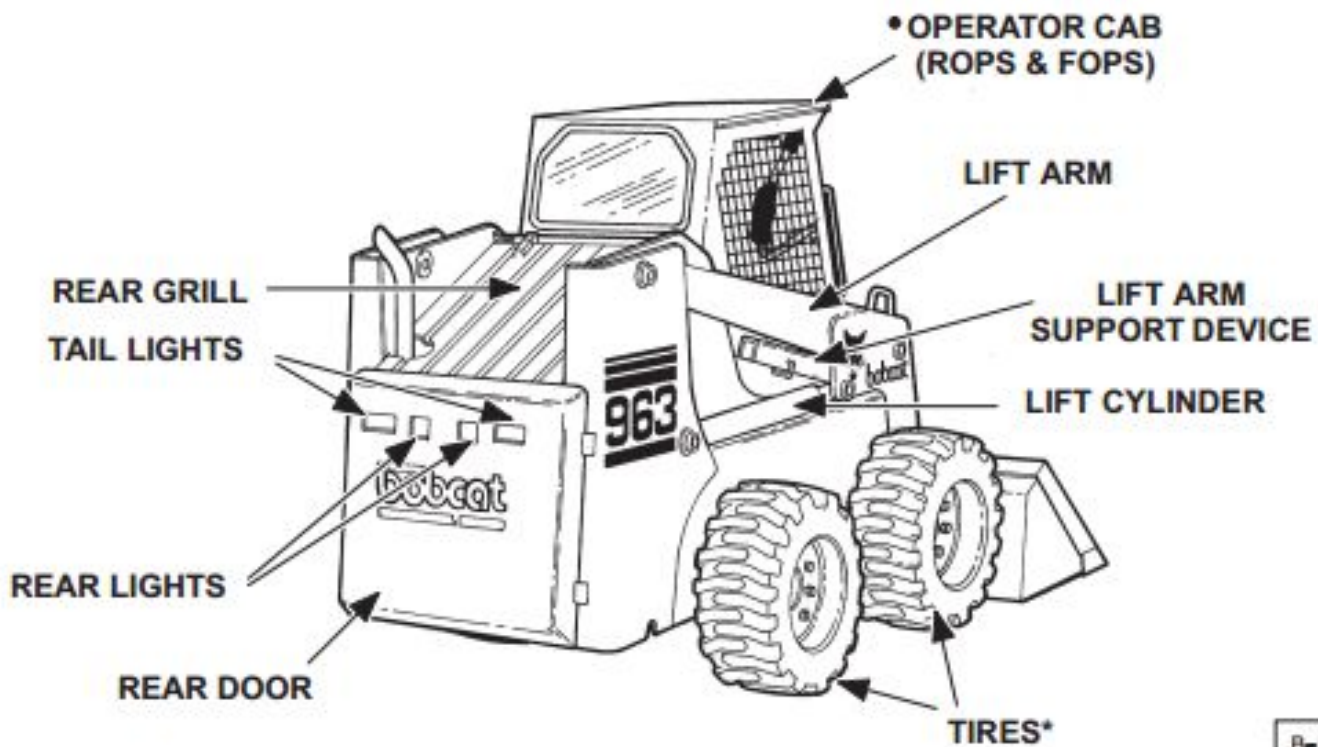
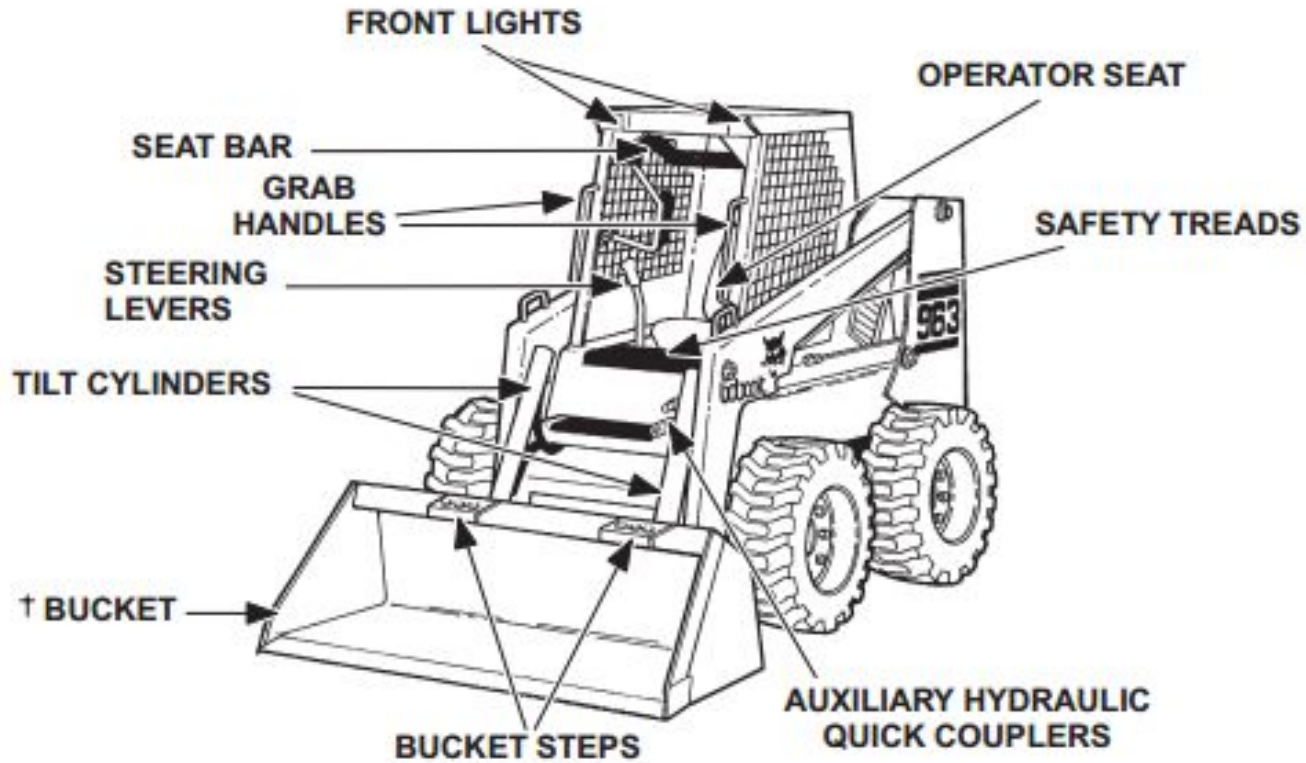
**SPECIFICATIONS**

**ADVANCED  
HAND CONTROL  
SYSTEM**

Dealer Copy -- Not for Resale



## 963 BOBCAT LOADER IDENTIFICATION



B-15004  
B-15005

\* TIRES – Flotation tires (optional) are shown. The Bobcat loader is factory equipped with standard tires.

† BUCKET – Several different buckets and other attachments are available for the Bobcat loader.

• ROPS, FOPS – Roll Over Protective Structure, Falling Object Protective Structure, per SAE J1040 and ISO 3471, and Falling Object Protective Structure per SAE J1043 and ISO 3449, Level I. Level II is available. The Bobcat loader is base-equipped with a standard operator cab as shown. Extra insulated cab is available as an option (Reduced noise level).



Thank you very much  
for your reading.  
Please click here  
to get more information.