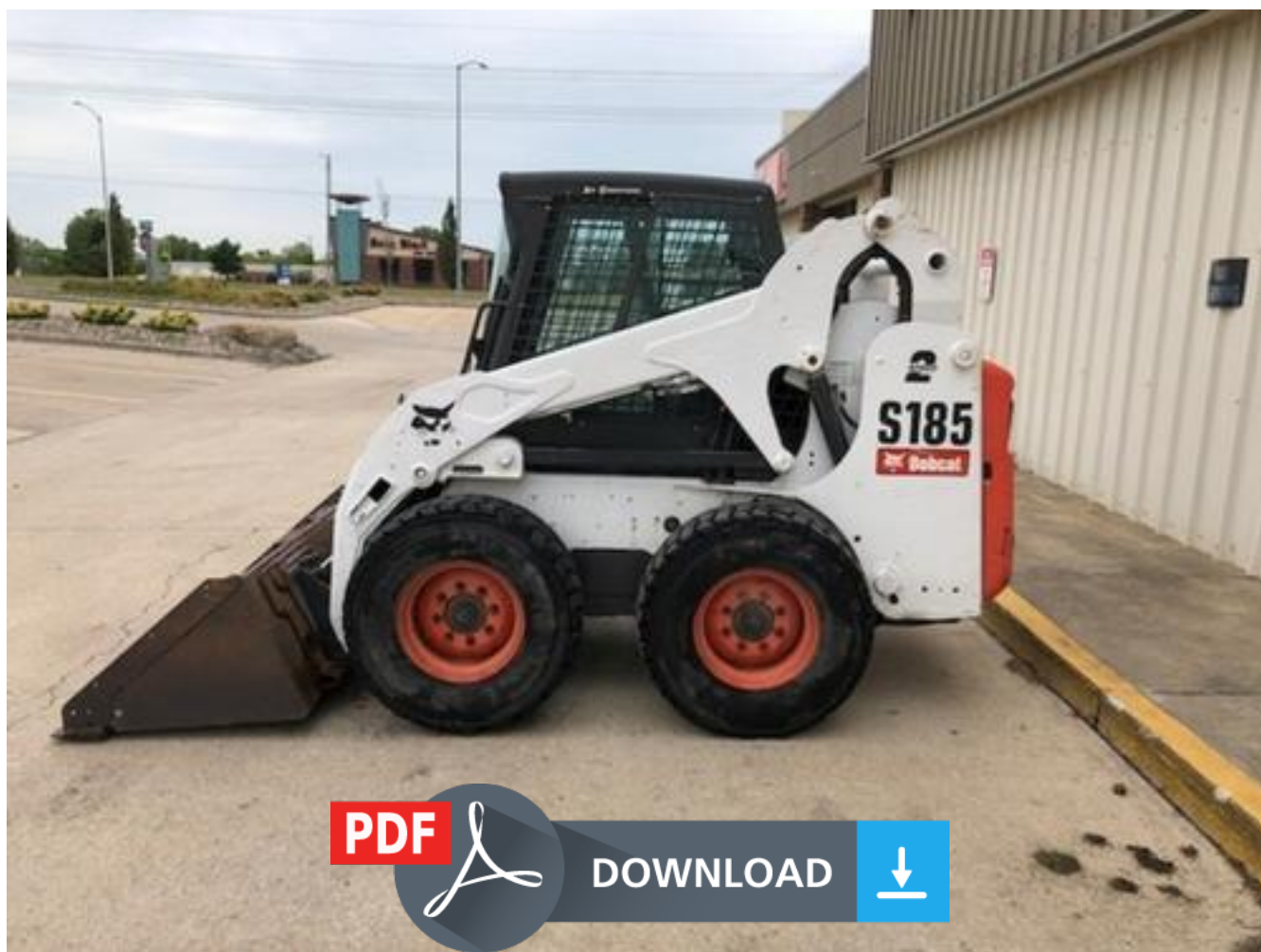


Bobcat X220 Mini Excavator Service Repair Workshop Manual 508212001

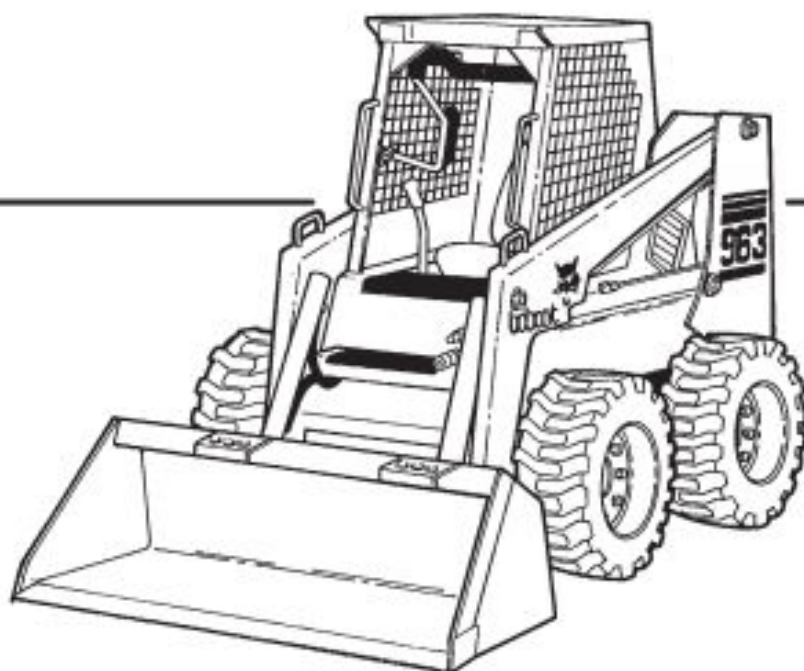


PDF  **DOWNLOAD** 

963



Service Manual



Dealer Copy - Not for Resale

EQUIPPED WITH
BOBCAT INTERLOCK
CONTROL SYSTEM (BICS™)

1 of 486

**MELROE
INGERSOLL-RAND**

6724545 (11-97)

Printed in U.S.A.



© Melroe Company 1997

CONTENTS

FOREWORD	ii
SAFETY INSTRUCTIONS	v
SERIAL NUMBER LOCATIONS	vii
DELIVERY REPORT	vii
BOBCAT LOADER IDENTIFICATION	viii
PREVENTIVE MAINTENANCE	1-1
HYDRAULIC SYSTEM	2-1
HYDROSTATIC SYSTEM	3-1
DRIVE SYSTEM	4-1
MAIN FRAME	5-1
ELECTRICAL SYSTEM	6-1
ENGINE SERVICE	7-1
SYSTEM ANALYSIS	8-1
SPECIFICATIONS	9-1
ADVANCED HAND CONTROL SYSTEM	10-1

**CALIFORNIA
PROPOSITION 65 WARNING**
Diesel engine exhaust and some of its
constituents are known to the State of California
to cause cancer, birth defects and other
reproductive harm.

**PREVENTIVE
MAINTENANCE**

**HYDRAULIC
SYSTEM**

**HYDROSTATIC
SYSTEM**

**DRIVE
SYSTEM**

**MAIN
FRAME**

**ELECTRICAL
SYSTEM**

**ENGINE
SERVICE**

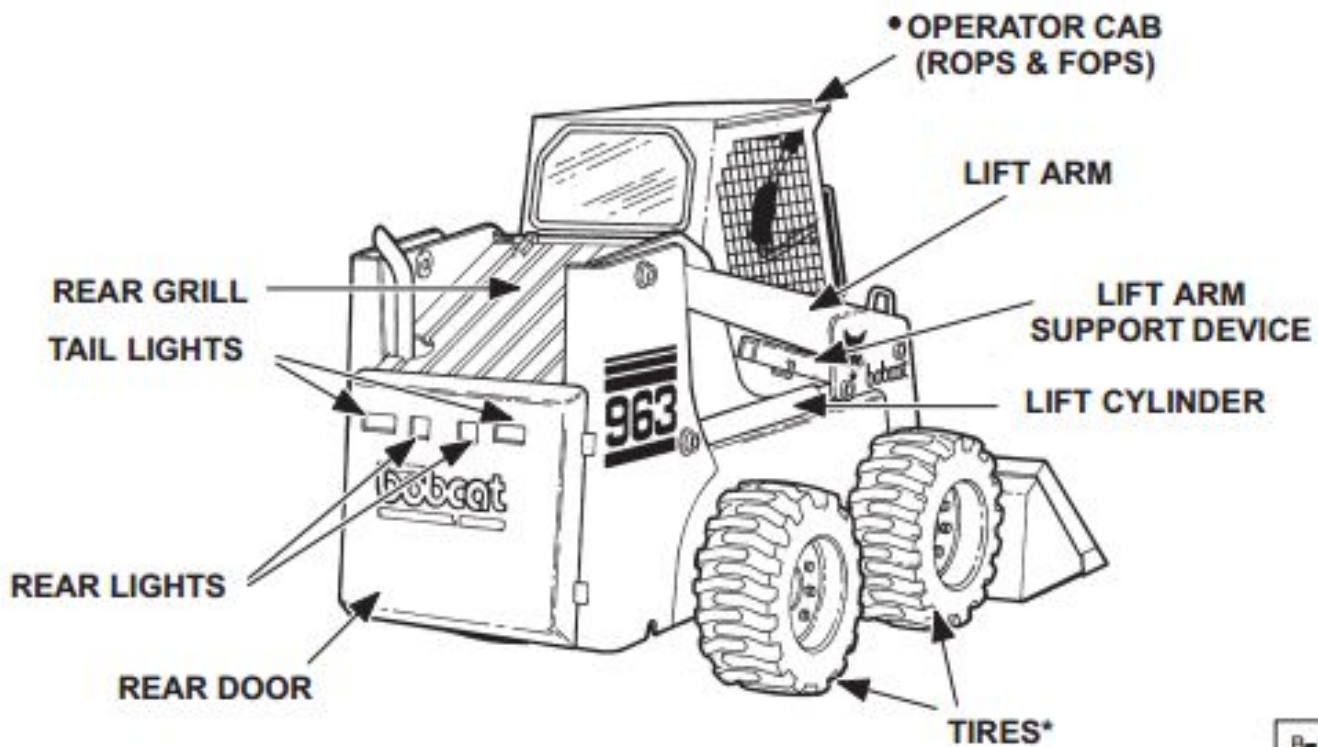
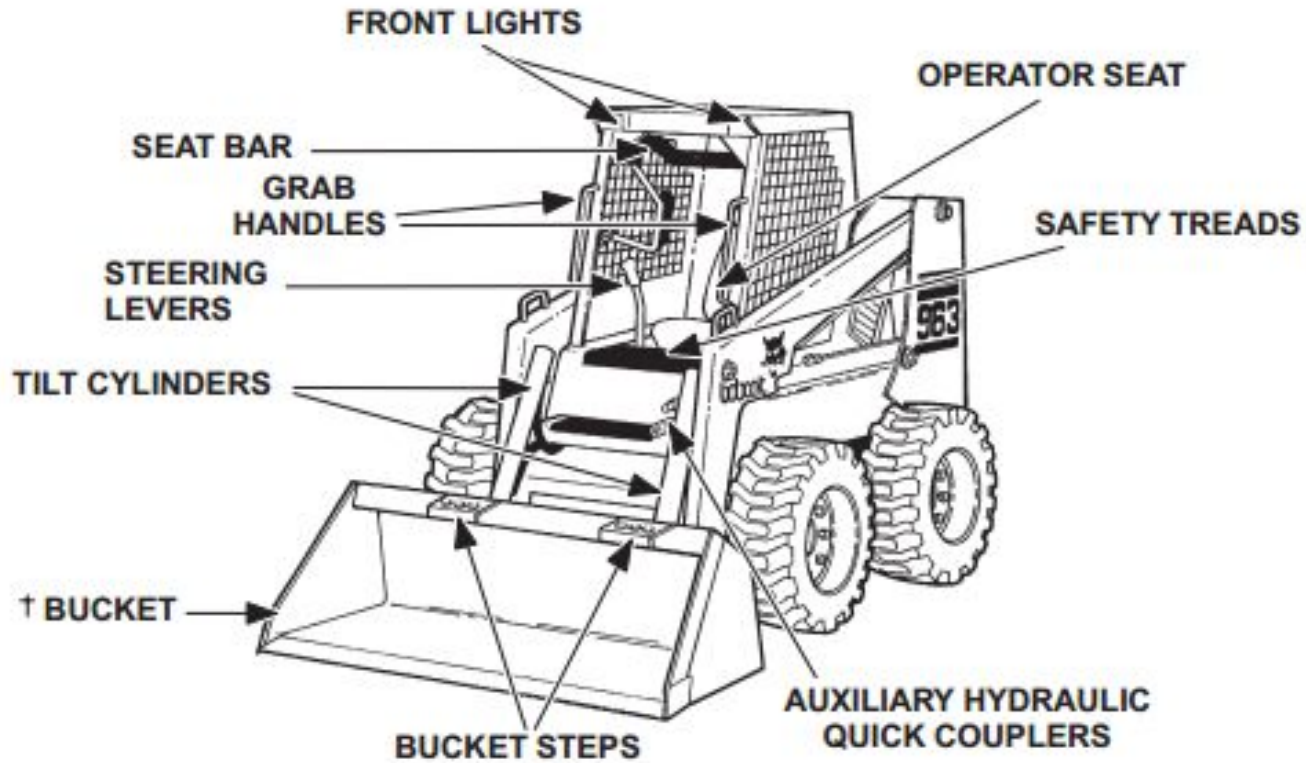
**SYSTEMS
ANALYSIS**

SPECIFICATIONS

**ADVANCED
HAND CONTROL
SYSTEM**

Dealer Copy -- Not for Resale

963 BOBCAT LOADER IDENTIFICATION



B-15004
B-15005

* TIRES – Flotation tires (optional) are shown. The Bobcat loader is factory equipped with standard tires.

† BUCKET – Several different buckets and other attachments are available for the Bobcat loader.

• ROPS, FOPS – Roll Over Protective Structure, Falling Object Protective Structure, per SAE J1040 and ISO 3471, and Falling Object Protective Structure per SAE J1043 and ISO 3449, Level I. Level II is available. The Bobcat loader is base-equipped with a standard operator cab as shown. Extra insulated cab is available as an option (Reduced noise level).



Thank you very much
for your reading.
Please click here
to get more information.