

# Bobcat X56,76 Mini Excavator Service Repair Workshop Manual



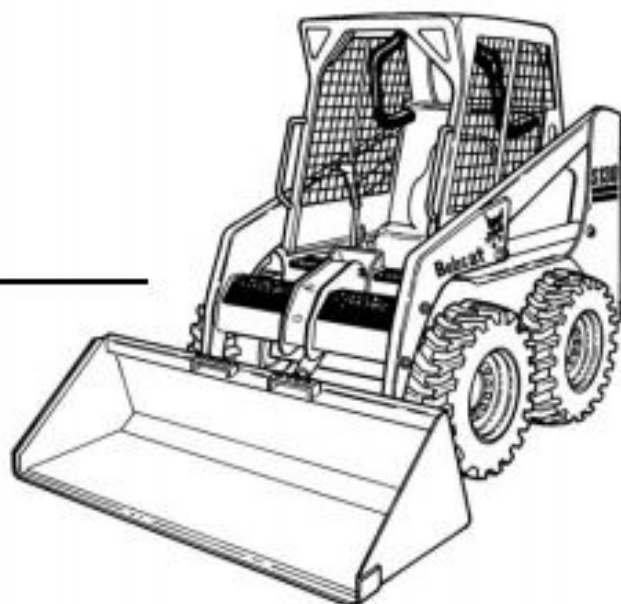
# S130



# Bobcat®

## Service Manual

S/N 527311001 & Above  
S/N 527411001 & Above



Dealer Copy -- Not for Resale

EQUIPPED WITH  
BOBCAT INTERLOCK  
CONTROL SYSTEM (BICS™)

6903151 (2-06)

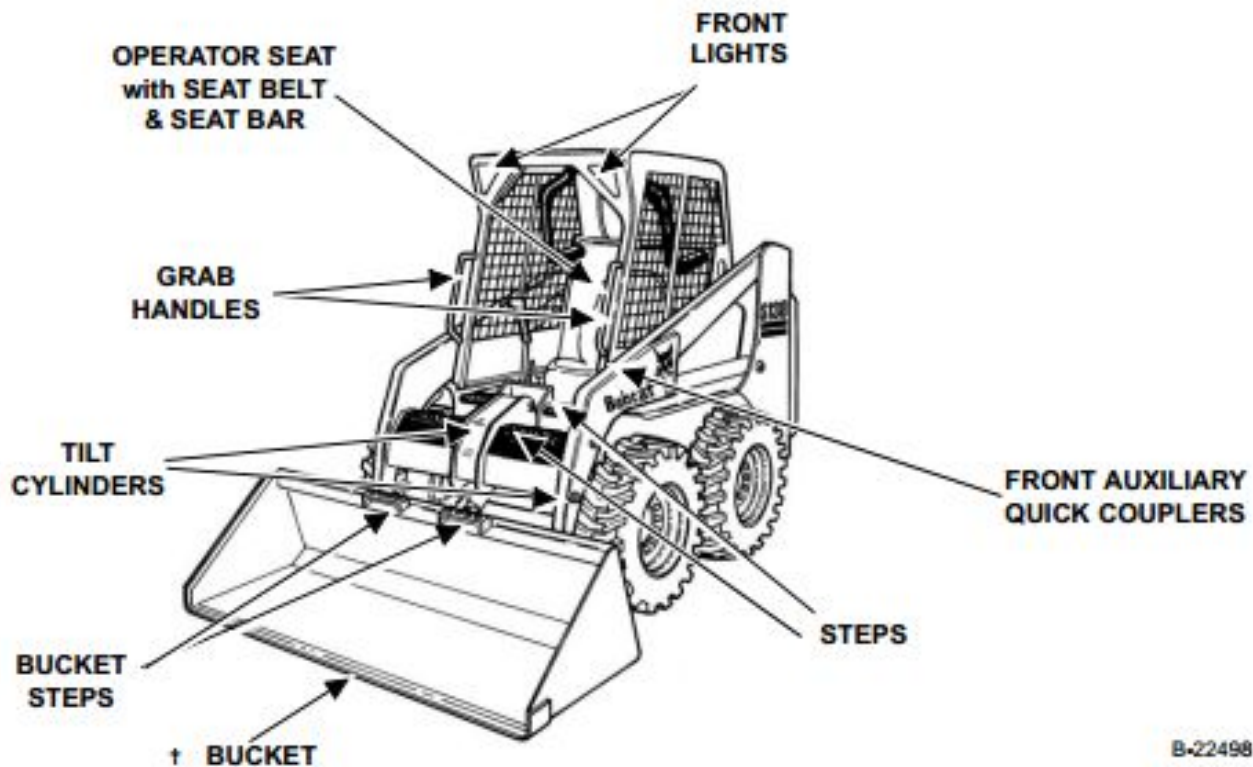
1 of 612



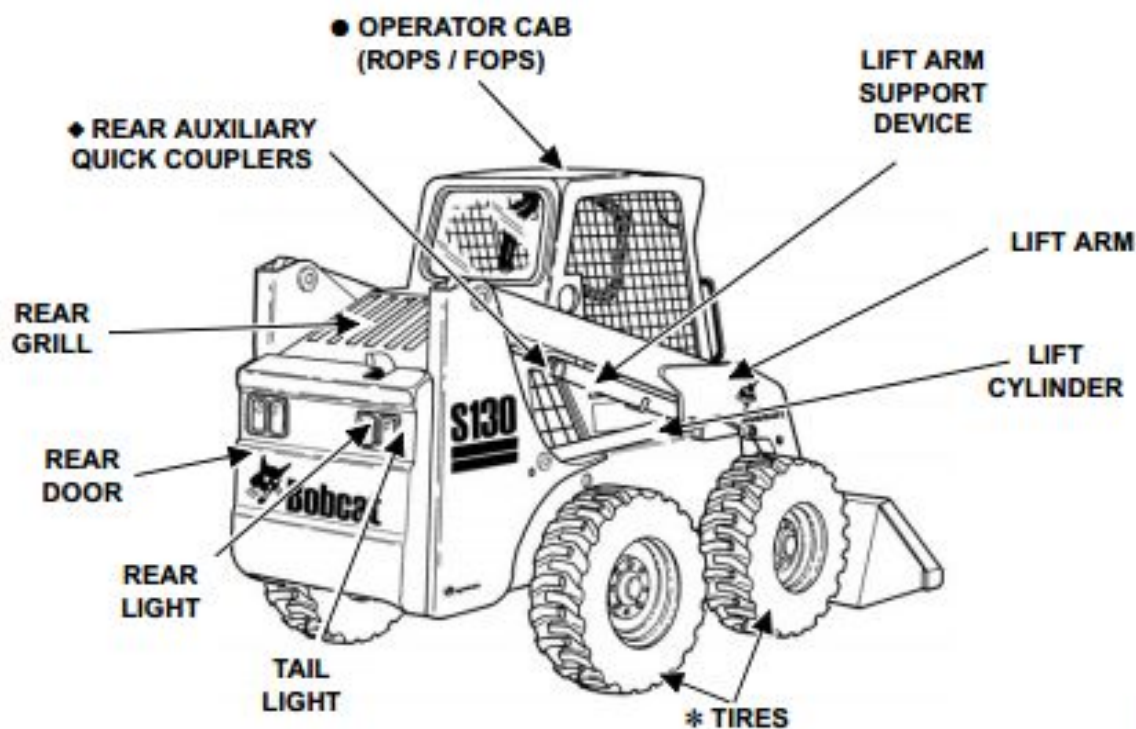
Printed in U.S.A.

© Bobcat Company 2006

## LOADER IDENTIFICATION



B-22498



B-22499

◆ Optional or Field Accessory (Not Standard Equipment)

\* TIRES - Tires shown may not be standard. The machine is factory equipped with standard tires. Other tires are available.

† Bucket - Several different buckets and other attachments are available for this machine.

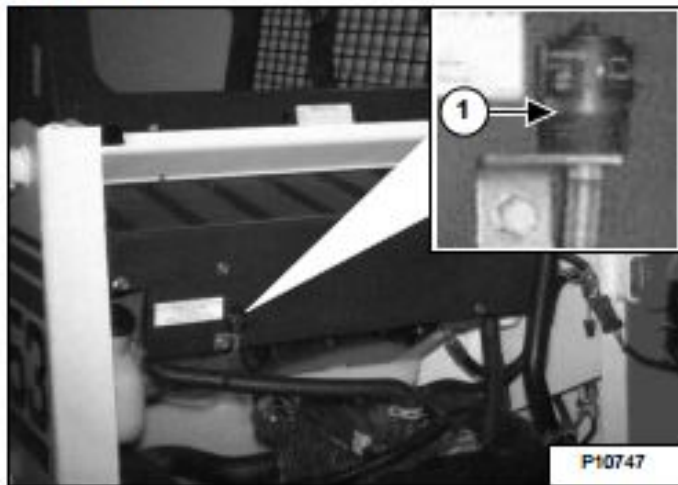
● ROPS, FOPS - Roll Over Protective Structure, per SAE J1040 and ISO 3471, and Falling Object Protective Structure per ISO 3449, Level I. Level II is available.

Dealer Copy -- Not for Resale

## AIR CLEANER SERVICE

### Replacing Filter Element

Figure 10-80-1



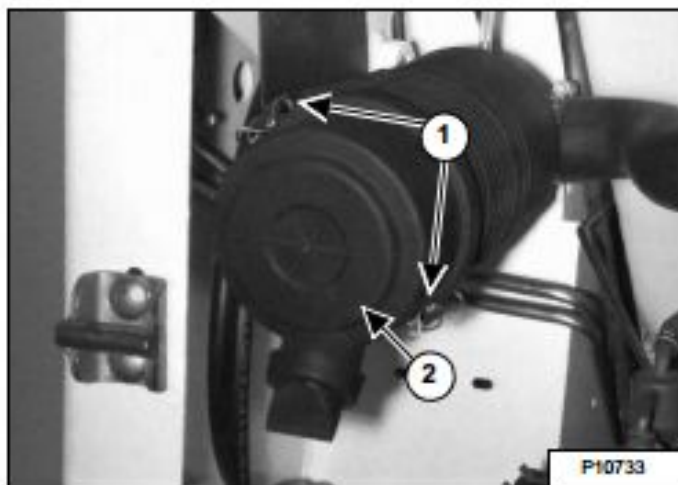
(See SERVICE SCHEDULE on Page 10-70-1.) for the interval to service the air cleaner system.

Check the air intake hose for damage. Check the air cleaner housing for damage. Check to make sure all connections are tight.

Replace the large (outer) filter element only when the red ring shows in the window (Item 1) [Figure 10-80-1] of the condition indicator.

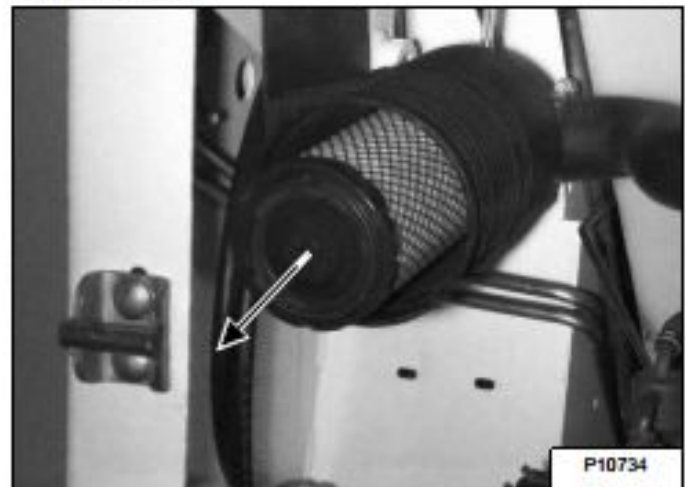
**NOTE:** Push the button on the condition indicator (See Inset) and start the engine. If the red ring does not show, do not replace the filter element [Figure 10-80-1].

Figure 10-80-2



Disengage the clamps (Item 1) [Figure 10-80-2] and remove the dust cover (Item 2) [Figure 10-80-2].

Figure 10-80-3



#### Outer Element:

Pull the outer filter element from the air cleaner housing [Figure 10-80-3].

**NOTE:** Make sure all sealing surfaces are free of dirt and debris.

Install a new outer element.

Install the dust cover and fasten the clamps.



Thank you very much  
for your reading.  
Please click here  
to get more information.