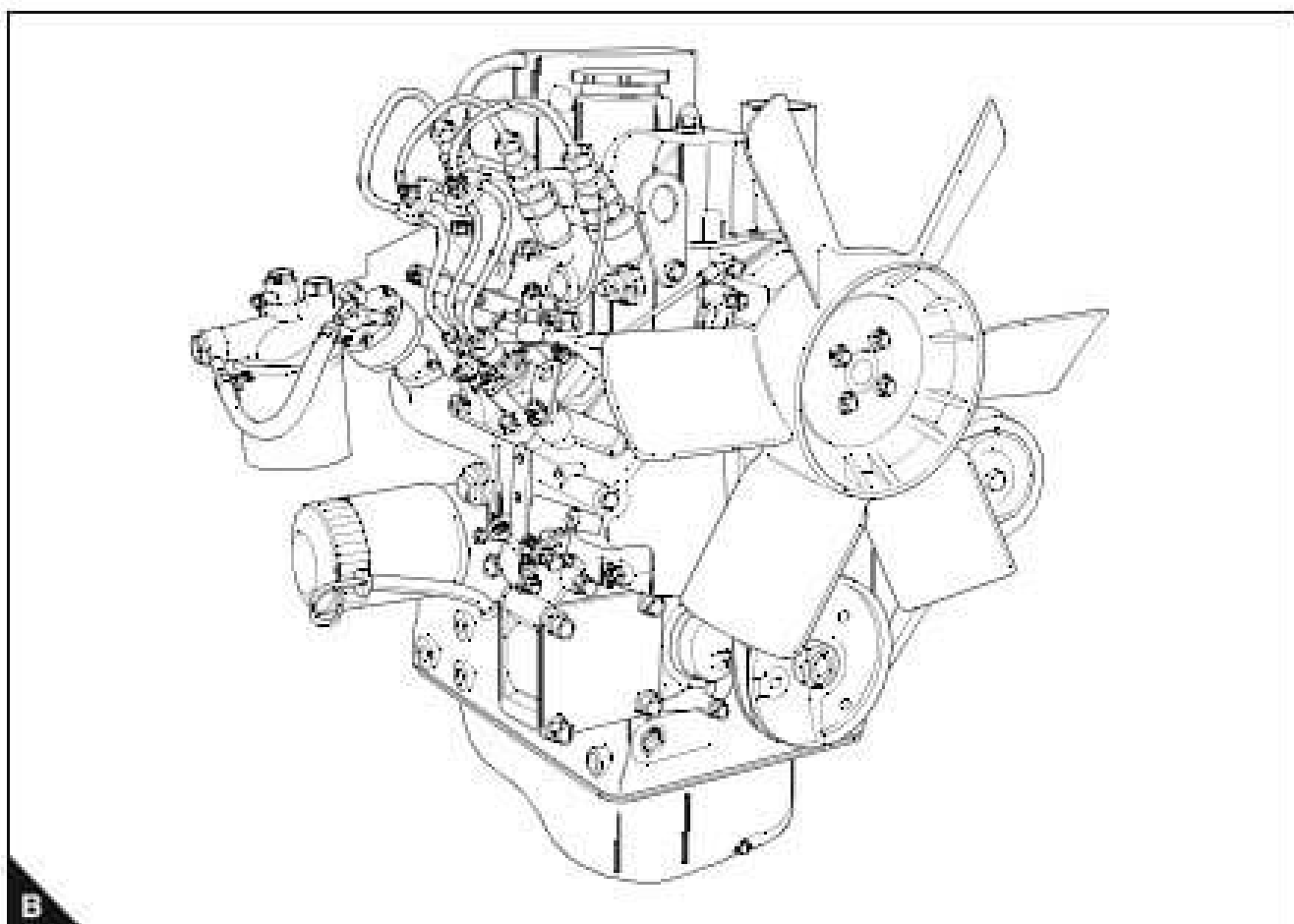
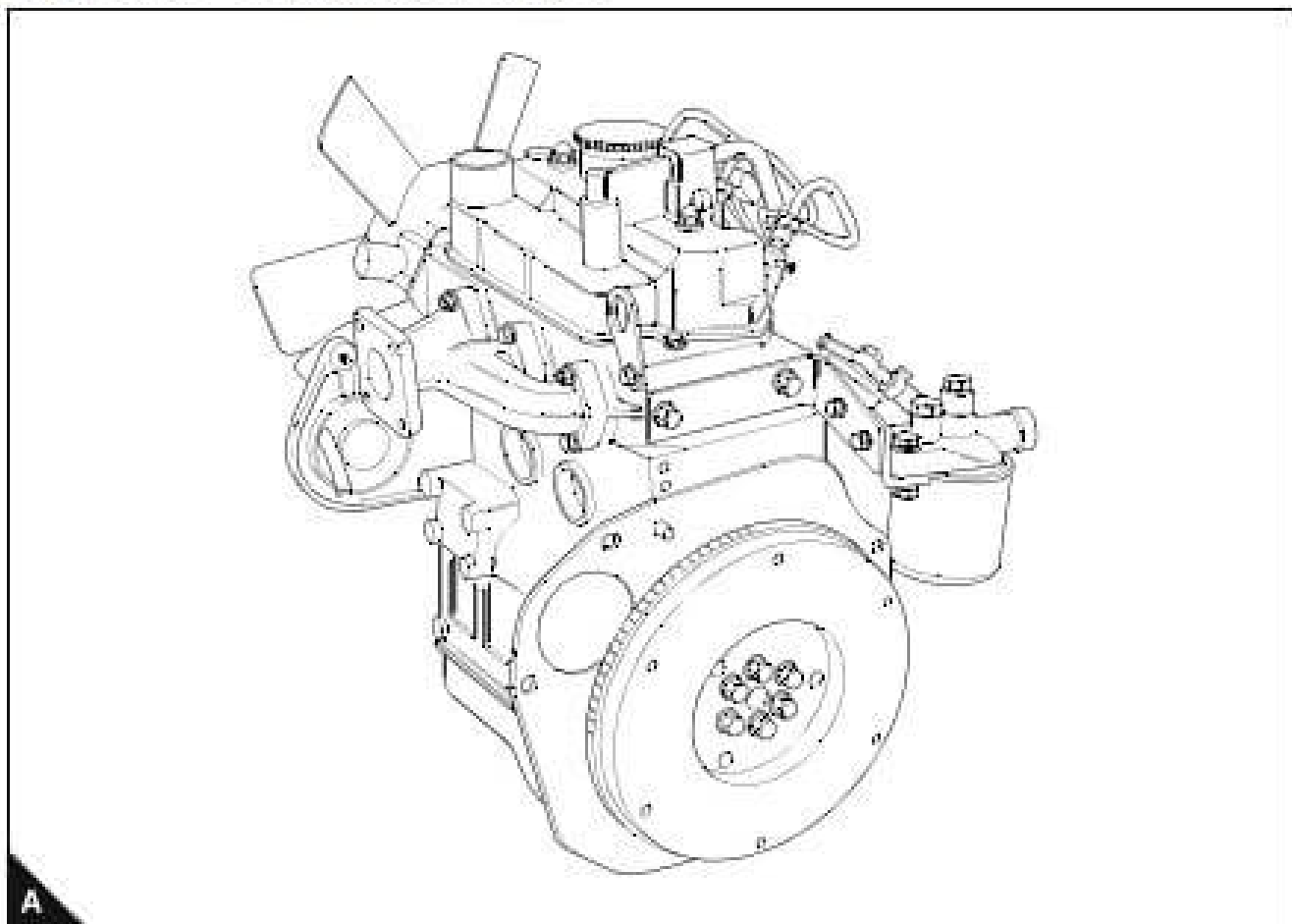


PDF  **DOWNLOAD** 

Engine views - 3 cylinder front and rear



Chapters

- 1 General information**
- 2 Specifications**
- 3 Cylinder head assembly**
- 4 Piston and connecting rod assemblies**
- 5 Crankshaft assembly**
- 6 Timing case and drive assembly**
- 7 Cylinder block assembly**
- 8 Engine timing**
- 9 Aspiration system**
- 10 Lubrication system**
- 11 Fuel system**
- 12 Cooling system**
- 13 Flywheel and housing**
- 14 Electrical equipment**
- 15 Auxiliary equipment**
- 16 Special tools**

The following pages contain a detailed table of contents

Perkins 100 Series

Models 102-05, 103-07, 103-10, 103-13, 103-15, 104-19,
104-22

WORKSHOP MANUAL

102-05 **Two cylinder diesel engines**

103-07 **Three cylinder diesel engines**

103-10

103-13

103-15

104-19 **Four cylinder diesel engines**

104-22



Thank you very much
for your reading.
Please click here
to get more information.