

PDF



DOWNLOAD



Perkins 1100 Series

Models RE, RF, RG, RH, RJ and RK

WORKSHOP MANUAL

4 cylinder diesel engines for industrial, agriculture and construction applications

Publication TPD 1487E, Issue 1.

© Proprietary information of Perkins Engines Company Limited, all rights reserved.

The information is correct at the time of print.

Published in October 2002 by Technical Publications.

Perkins Engines Company Limited, Peterborough PE1 5NA, England

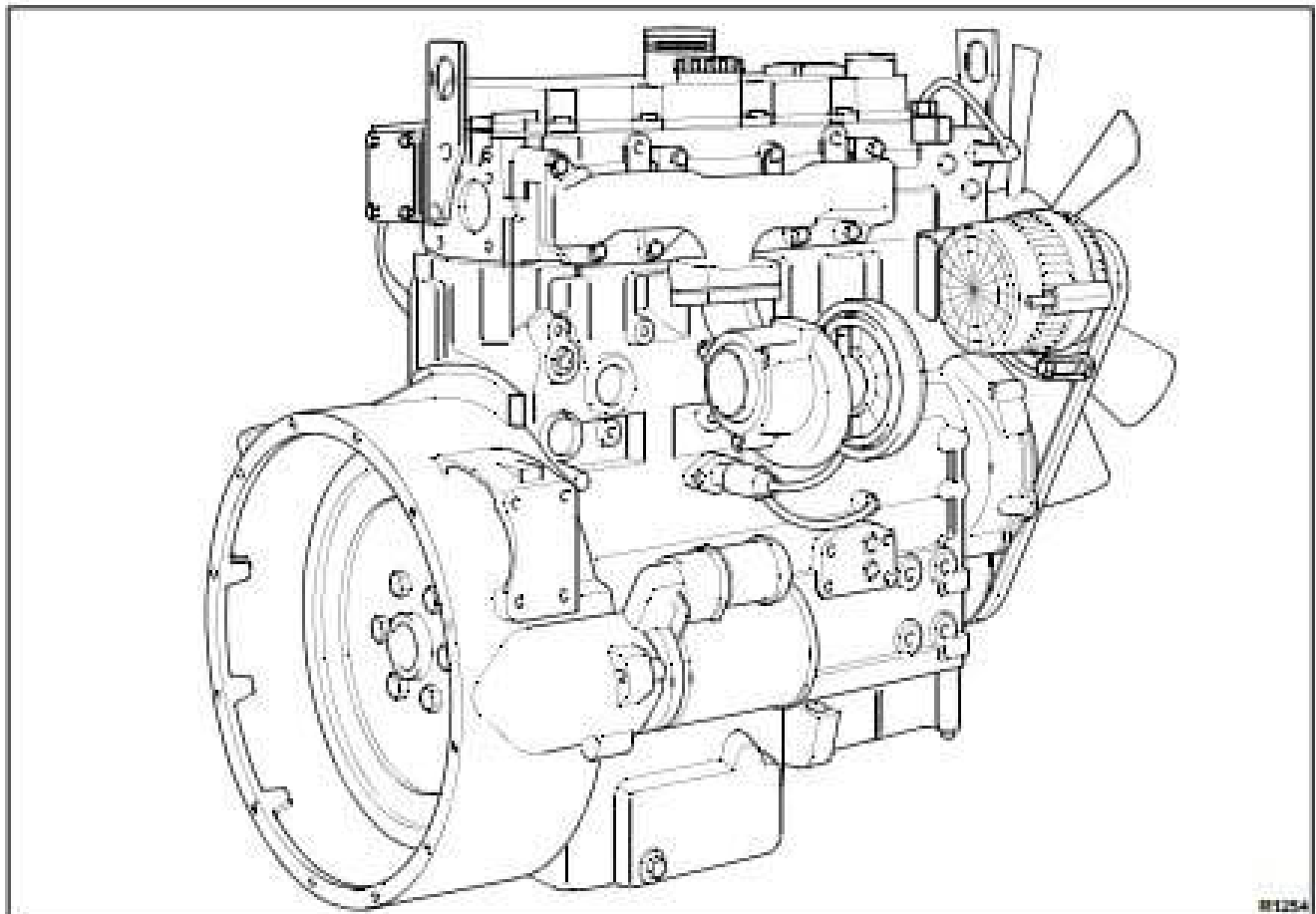
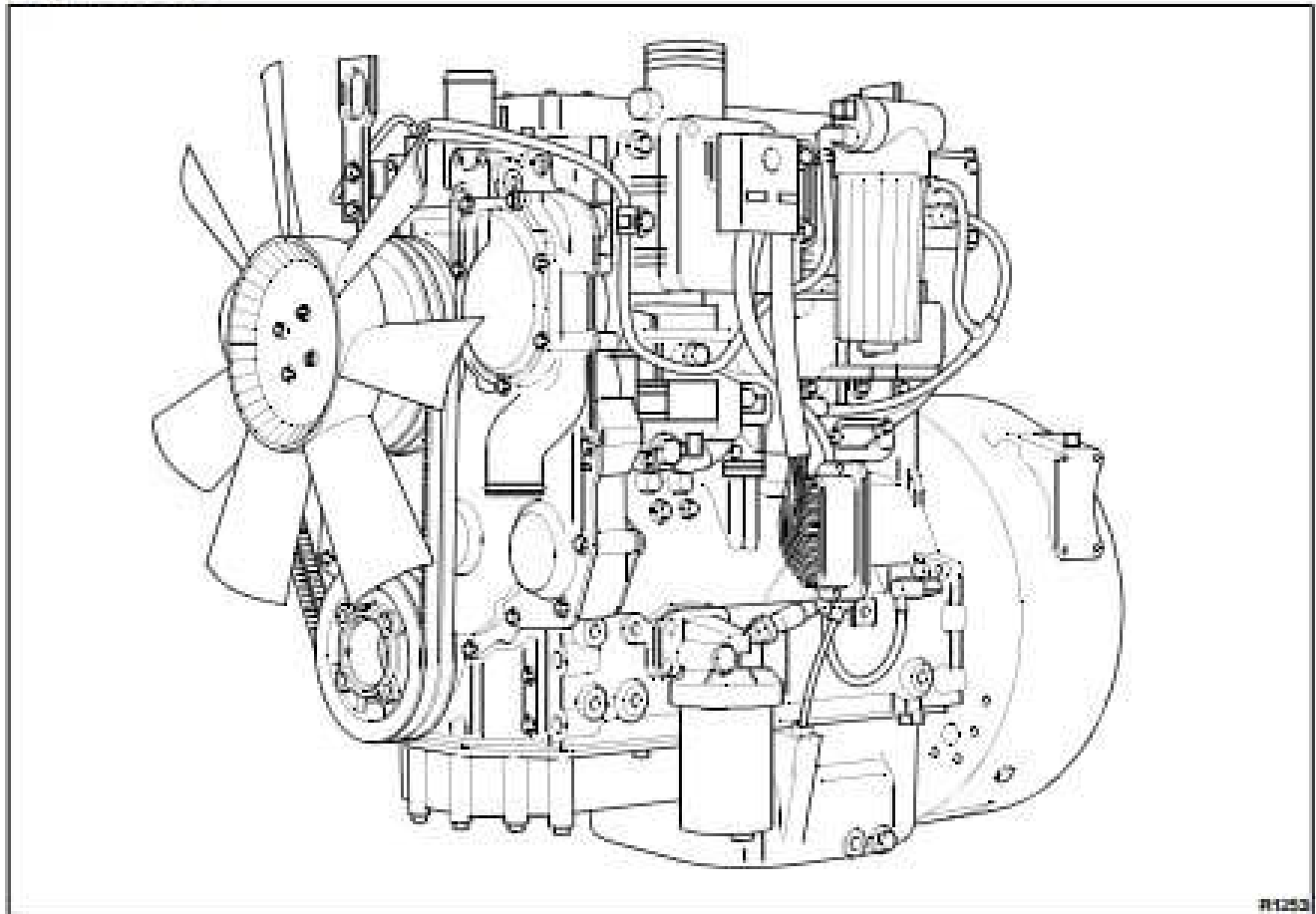


Chapters

- 1 General information**
- 2 Specifications**
- 3 Cylinder head assembly**
- 4 Piston and connecting rod assemblies**
- 5 Crankshaft assembly**
- 6 Timing case and drive assembly**
- 7 Cylinder block assembly**
- 8 Engine timing**
- 9 Aspiration system**
- 10 Lubrication system**
- 11 Fuel system**
- 12 Cooling system**
- 13 Flywheel and housing**
- 14 Electrical equipment**
- 15 Auxiliary equipment**
- 16 Special tools**

The following pages contain a detailed table of contents

Engine views





Thank you very much
for your reading.
Please click here
to get more information.