



**PDF**  **DOWNLOAD** 

[Open front screen](#)

# Operation and Maintenance Manual

---

## **400 Industrial Engine**

---

HB (Engine)  
HD (Engine)  
HH (Engine)  
HL (Engine)  
HN (Engine)  
HP (Engine)  
HR (Engine)

---

## Table of Contents

Foreword .....	4
<b>Safety Section</b>	
General Hazard Information .....	5
Burn Prevention .....	6
Fire Prevention and Explosion Prevention .....	6
Crushing Prevention and Cutting Prevention .....	8
Before Starting Engine .....	9
Engine Starting .....	9
Engine Stopping .....	9
Electrical System .....	10
<b>Product Information Section</b>	
Model Views .....	11
Product Identification Information .....	20
<b>Operation Section</b>	
Lifting and Storage .....	22
Gauges and Indicators .....	25
Features and Controls .....	26
Engine Starting .....	27
Engine Operation .....	30
Engine Stopping .....	31
Cold Weather Operation .....	32
<b>Maintenance Section</b>	
Refill Capacities .....	36
Maintenance Interval Schedule .....	51
<b>Warranty Section</b>	
Warranty Information .....	76
<b>Index Section</b>	
Index .....	77

## Product Information Section

### Model Views

40156530

### Model View Illustrations

The following model views show typical features of the 400 series engines. Due to individual applications, your engine may appear different from the illustrations.

**Note:** Individual components are detailed on the 404C-22T turbocharged engine only.

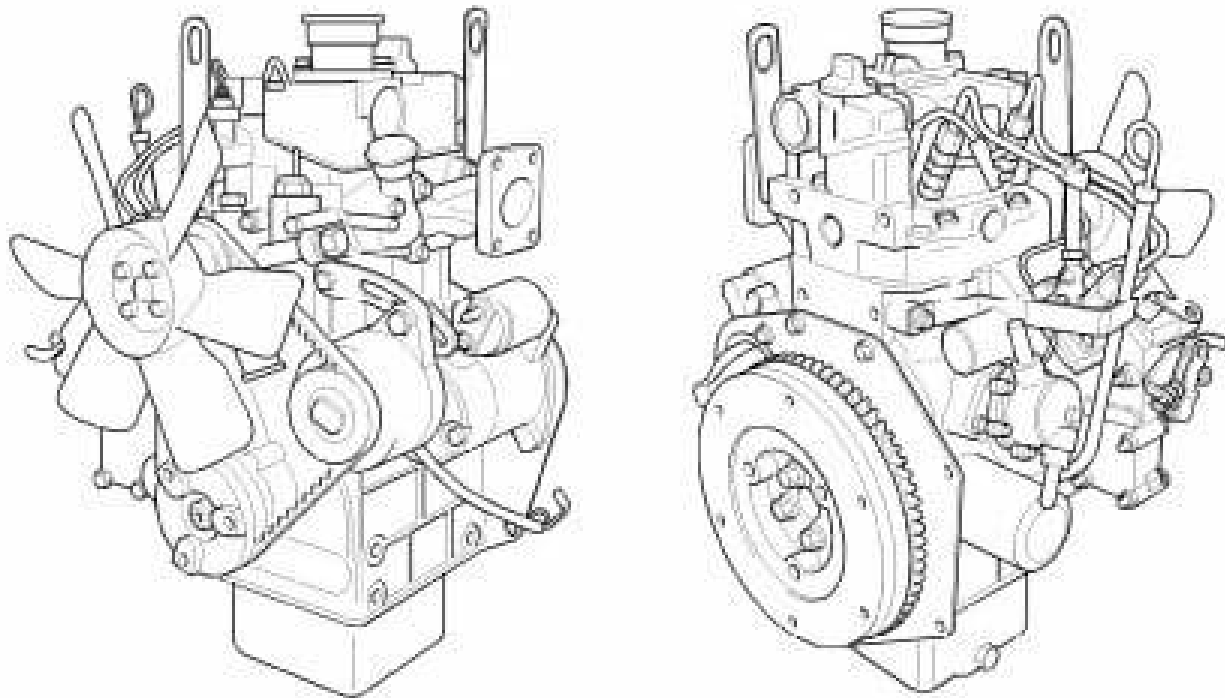


Illustration 7  
Typical view of the 402C-05 engine

g01100207



Thank you very much  
for your reading.  
Please click here  
to get more information.