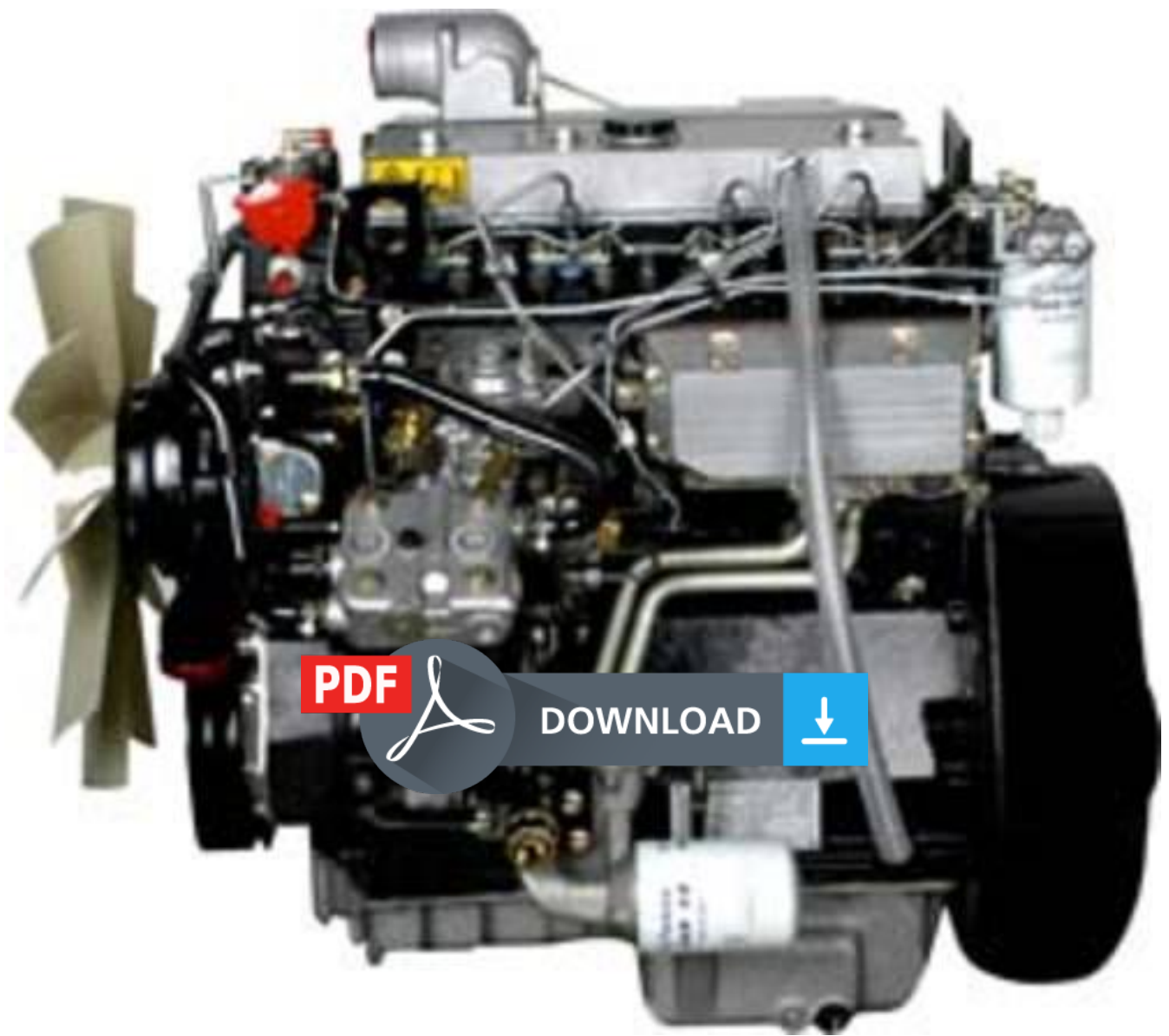


# Perkins Phaser and 1000 Series Engine Service Repair Manual



PDF



DOWNLOAD



---

# **Perkins Phaser and 1000 Series**

Models AA to AH and YA to YE

## **WORKSHOP MANUAL**

**Phaser**      **4 and 6 cylinder diesel engines for  
automotive applications**

**1000 Series** **4 and 6 cylinder diesel engines for  
agricultural and industrial applications**

Publication TPD 1312E, Issue 2.

© Proprietary information of Perkins Engines Company Limited, all rights reserved.

The information is correct at the time of print.

Published in February 2002 by Technical Publications.

Perkins Engines Company Limited, Peterborough PE1 5NA, England.

---

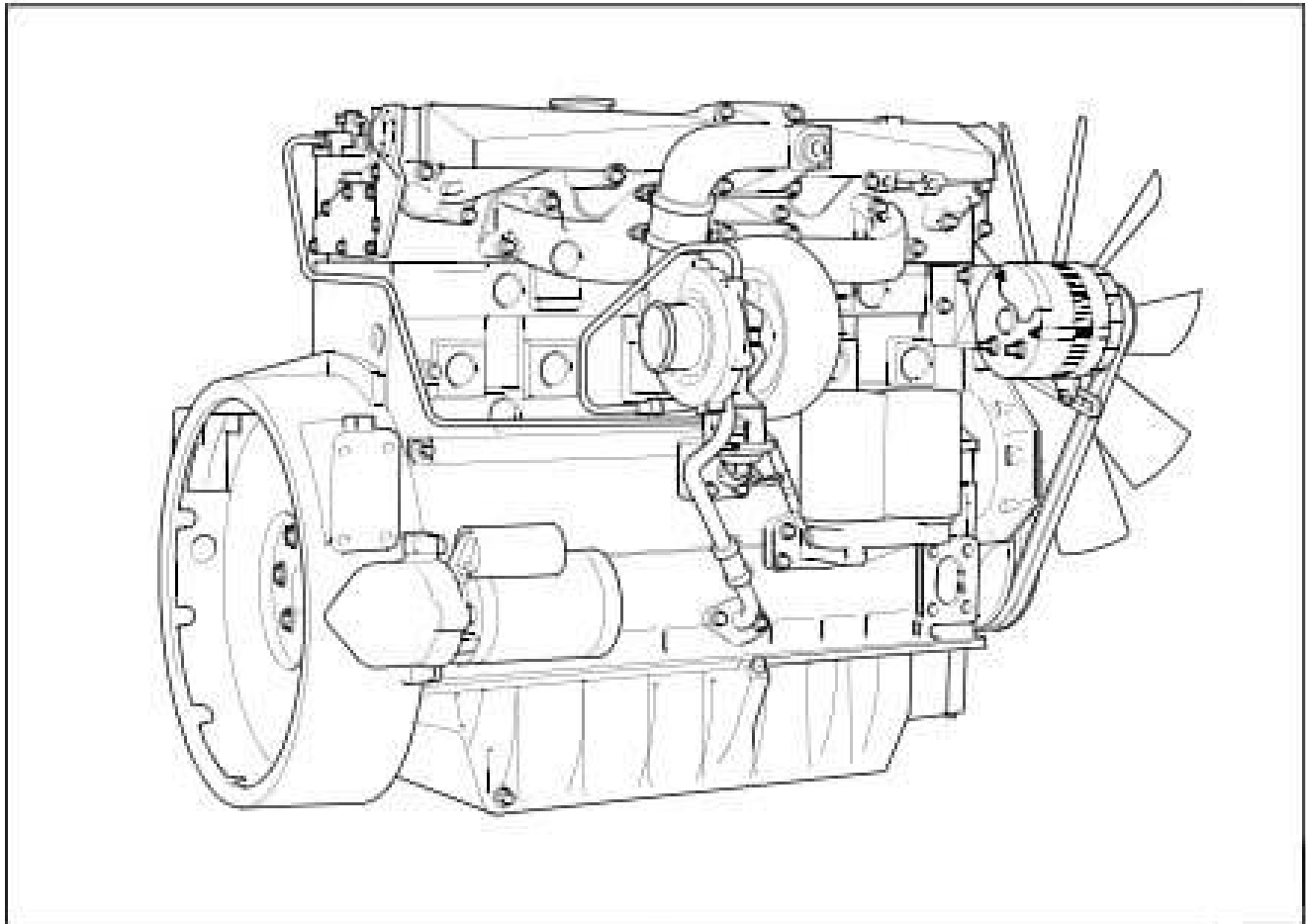
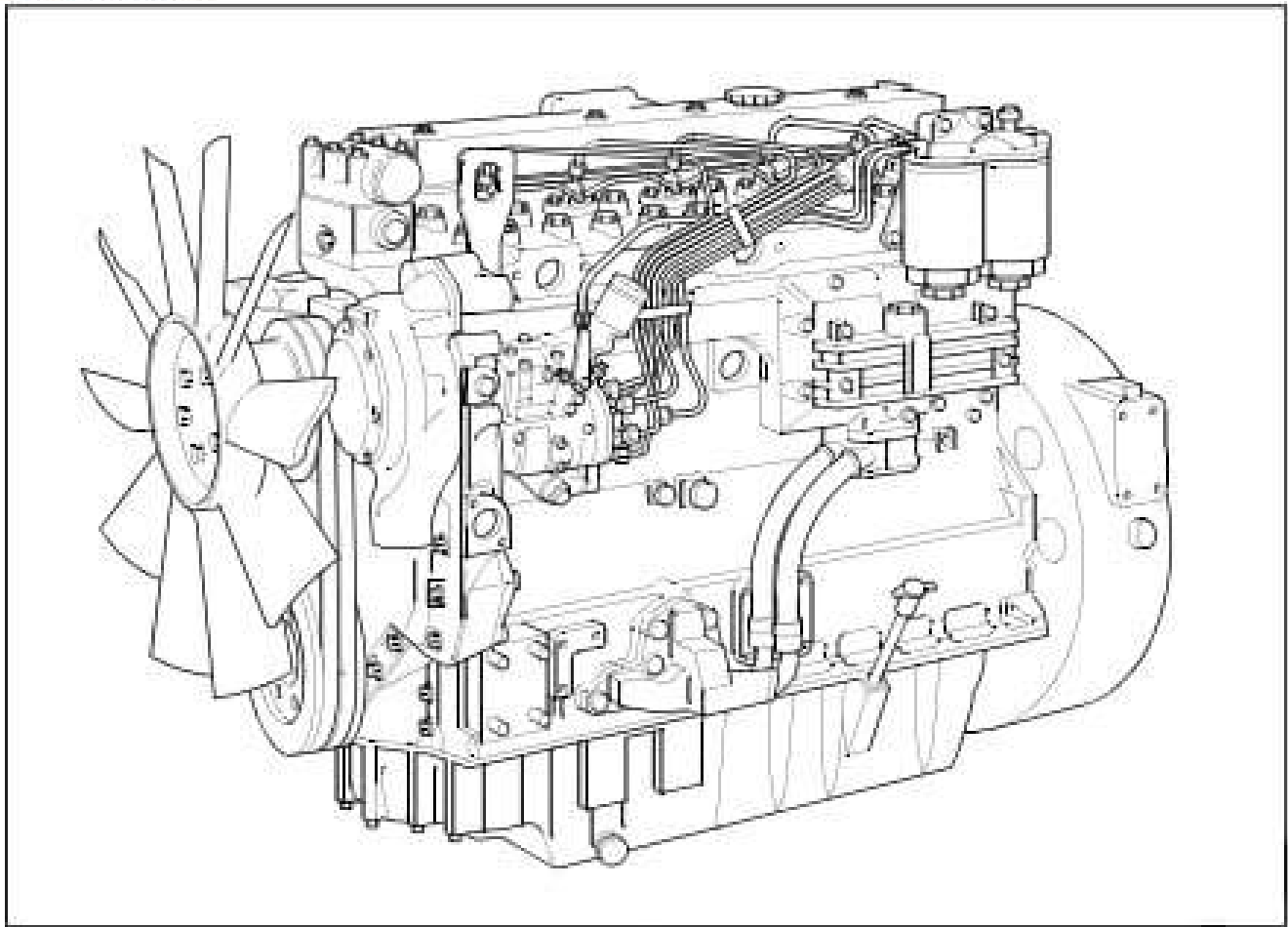


## **Chapters**

- 1 General information**
- 2 Specifications**
- 3 Cylinder head assembly**
- 4 Piston and connecting rod assemblies**
- 5 Crankshaft assembly**
- 6 Timing case and drive assembly**
- 7 Cylinder block assembly**
- 8 Engine timing**
- 9 Aspiration system**
- 10 Lubrication system**
- 11 Fuel system**
- 12 Cooling system**
- 13 Flywheel and housing**
- 14 Electrical equipment**
- 15 Auxiliary equipment**
- 16 Special tools**

The following pages contain a detailed table of contents

## Engine views





Thank you very much  
for your reading.  
Please click here  
to get more information.