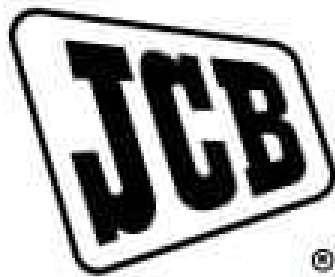


JCB 1115,1115S,1125,1135 Fastrac Service Repair Manual





Service Manual

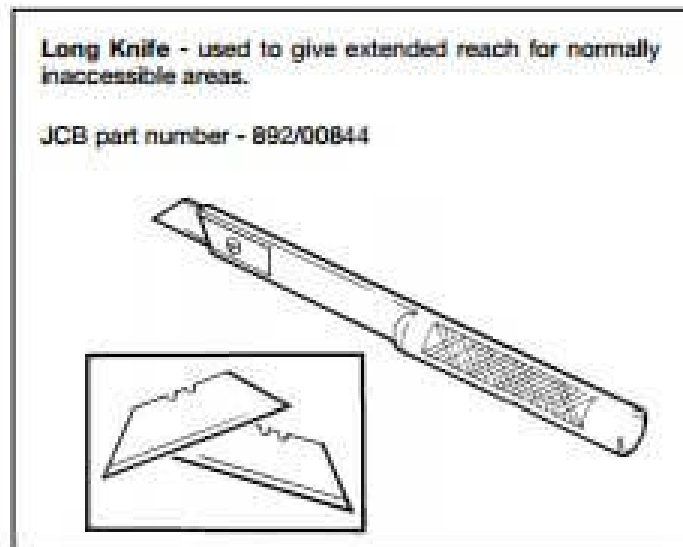
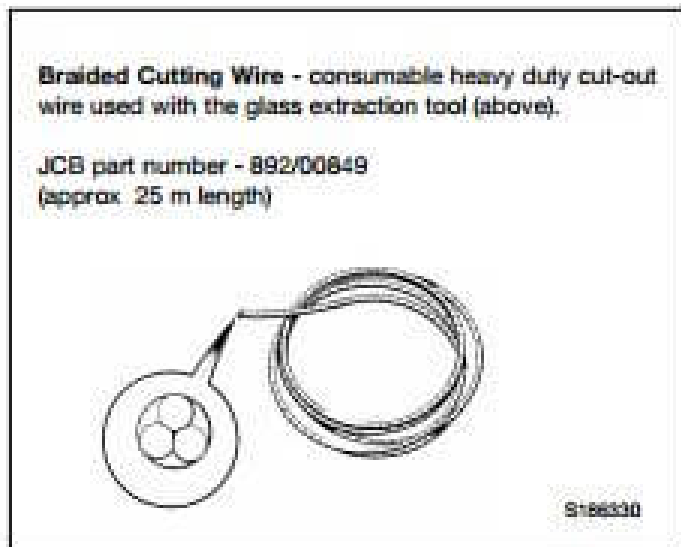
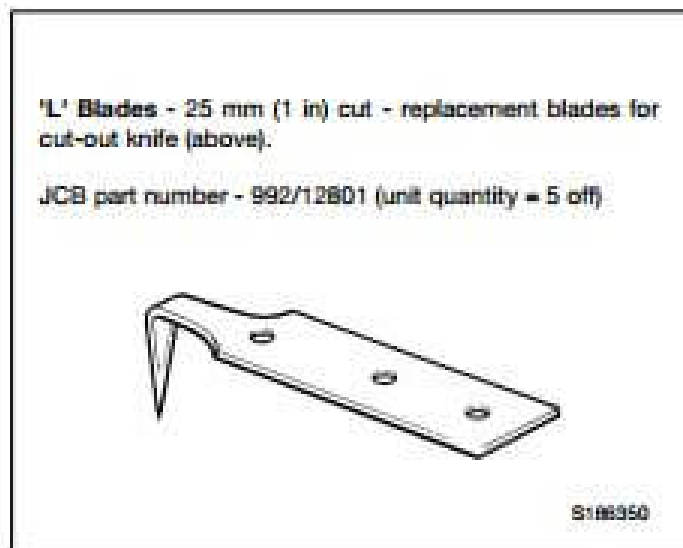
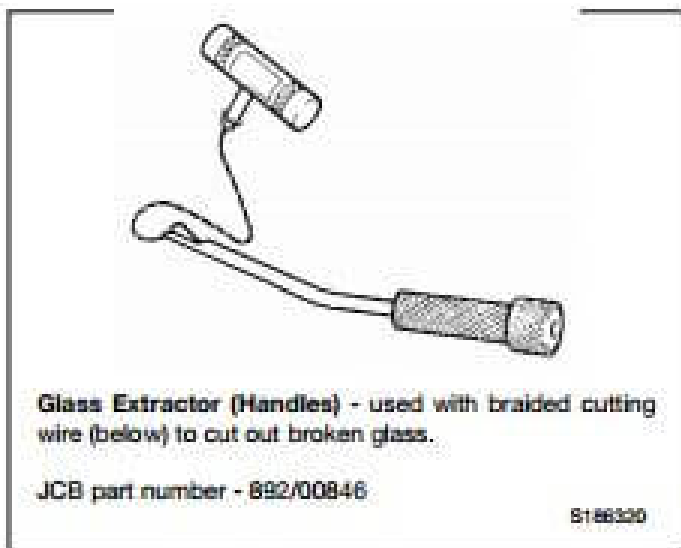
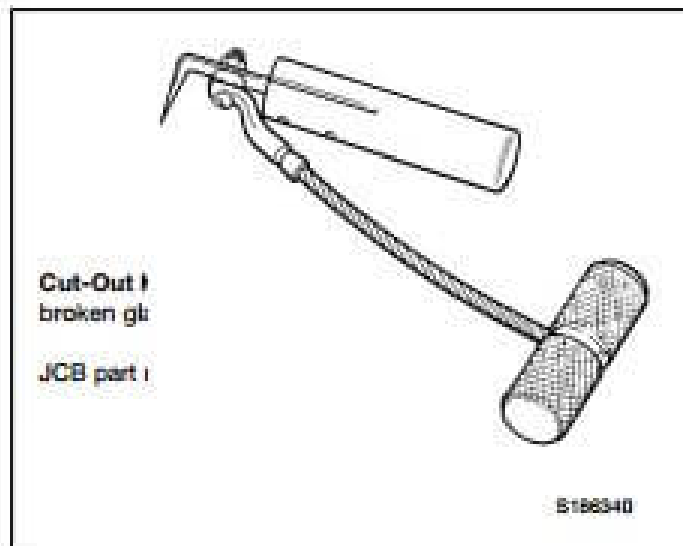
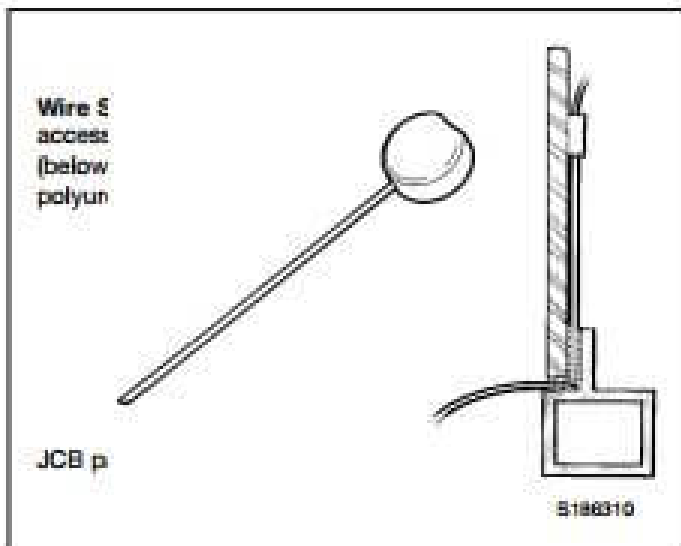
ROBOT 190, 1110

PUBLISHED BY THE
TECHNICAL PUBLICATIONS DEPARTMENT
OF JCB SERVICE: ©
WATERLOO PARK, UTTOXETER,
STAFFORDSHIRE, ST14 5PA, ENGLAND
Tel. ROCESTER (01889) 590312
PRINTED IN ENGLAND

Publication No. 9603/8530 issue 8

Copyright © 2004 JCB SERVICE
All rights reserved. No part of this publication may be reproduced, stored in
a retrieval system, or transmitted in any form or by any other means, elec-
tronic, mechanical, photocopying or otherwise, without prior permission
from JCB SERVICE.

General Information	1
Care & Safety	2
Routine Maintenance	3
Attachments	A
Body & Framework	B
Electrics	C
Controls	D
Hydraulics	E
Transmission	F
Brakes	G
Tracks	J
Engine	K



Greasing (cont'd)

Loader Arm Pivot Points - for interval see Service Schedule

Lift Ram Pivots - for interval see Service Schedule

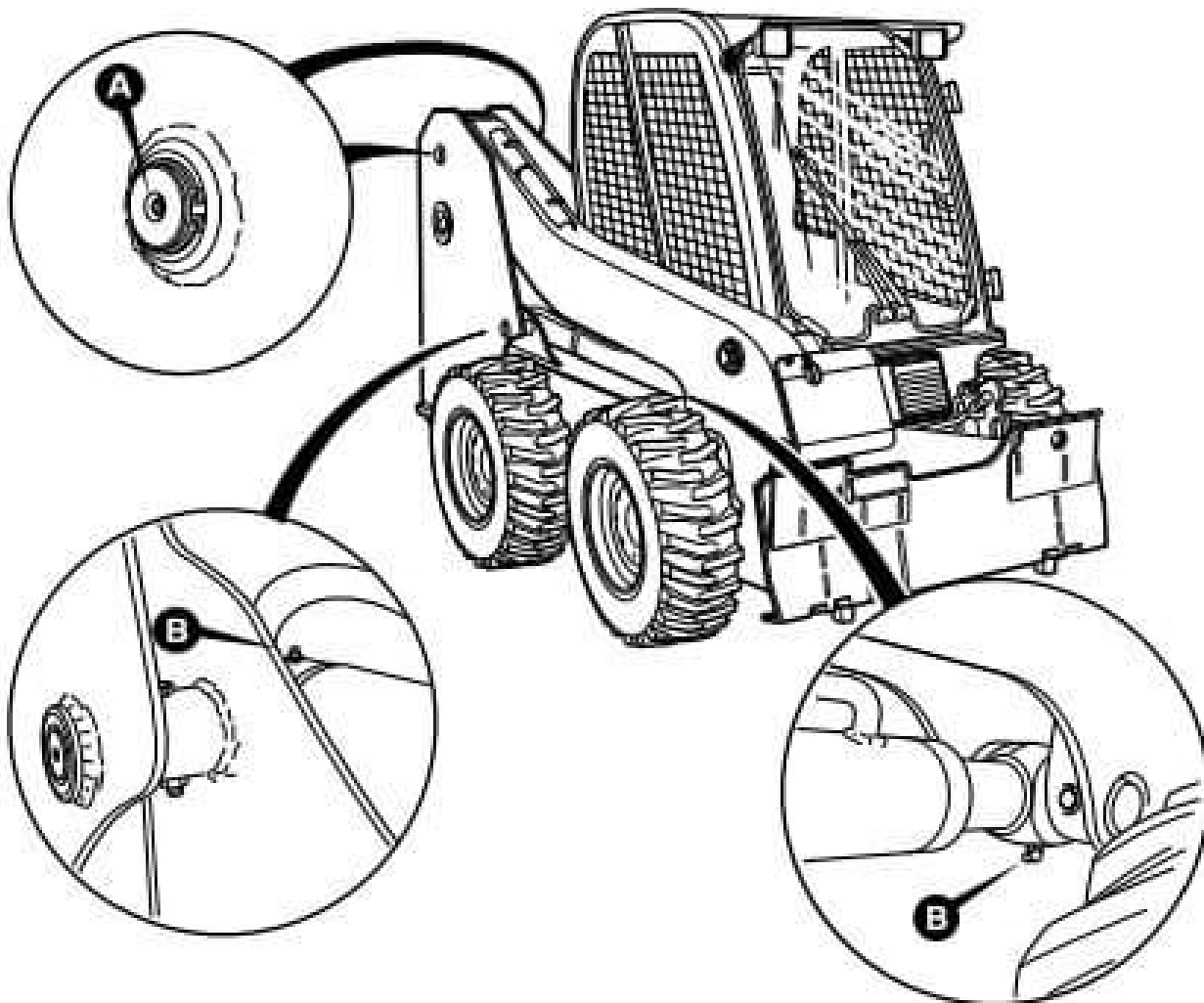
Total of 2 grease points A (one each side of pivot pin)

Total of 2 grease points B

WARNING

Raised loader arms can drop suddenly and cause serious injury. Before working under raised loader arms, fit the loader arm safety strut.

2-1-1-6



378301



Thank you very much
for your reading.
Please click here
to get more information.