

PDF

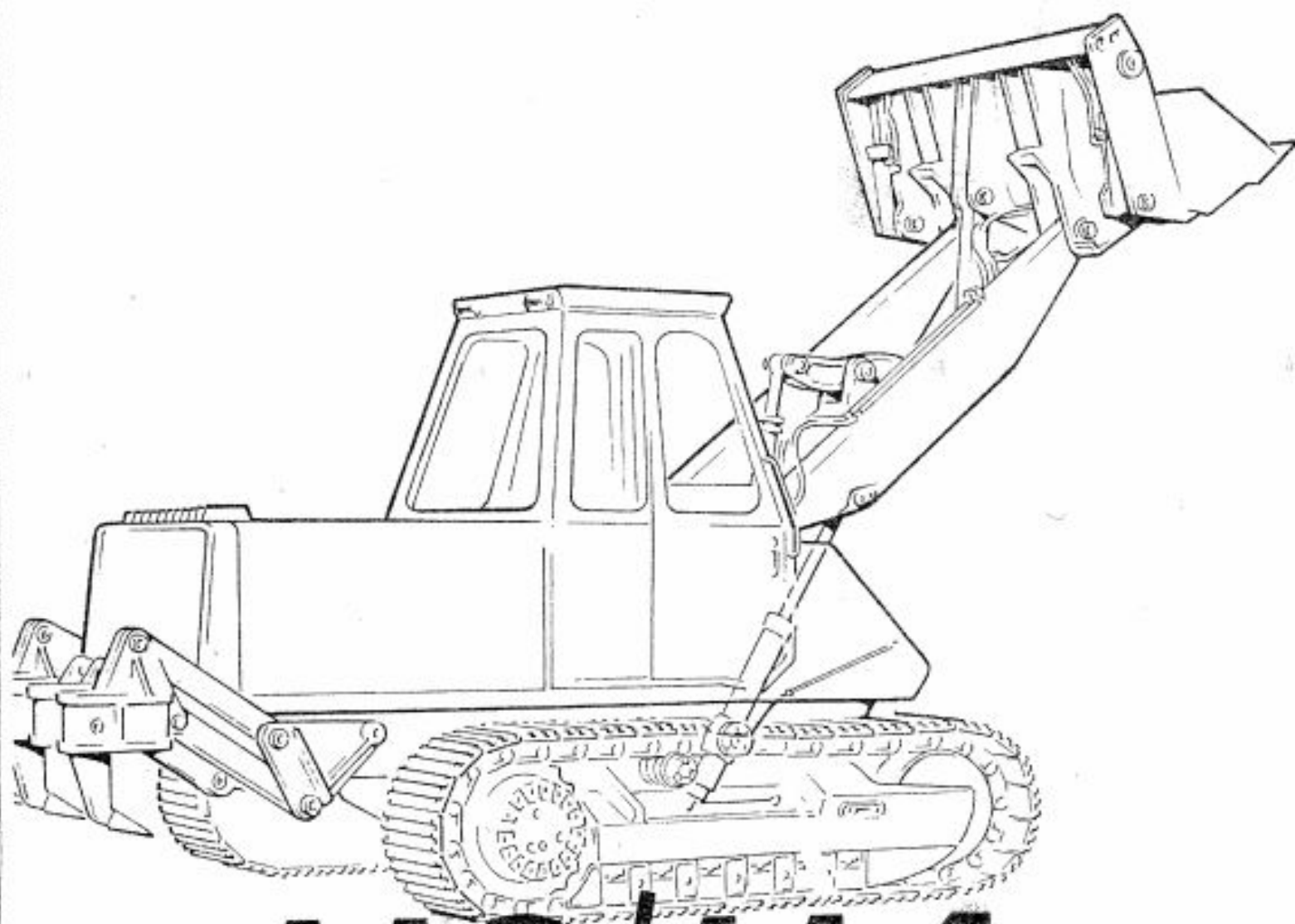


DOWNLOAD



112/114

JCB[®]



112/114

RETURN

Crawler Loading Shovel Dealer parts catalogue

Numerical index

Buckets & attachments

A

Body & framework

B

Electrics - machine

C

Controls

D

Hydraulics

E

Transmission

F

Brakes

G

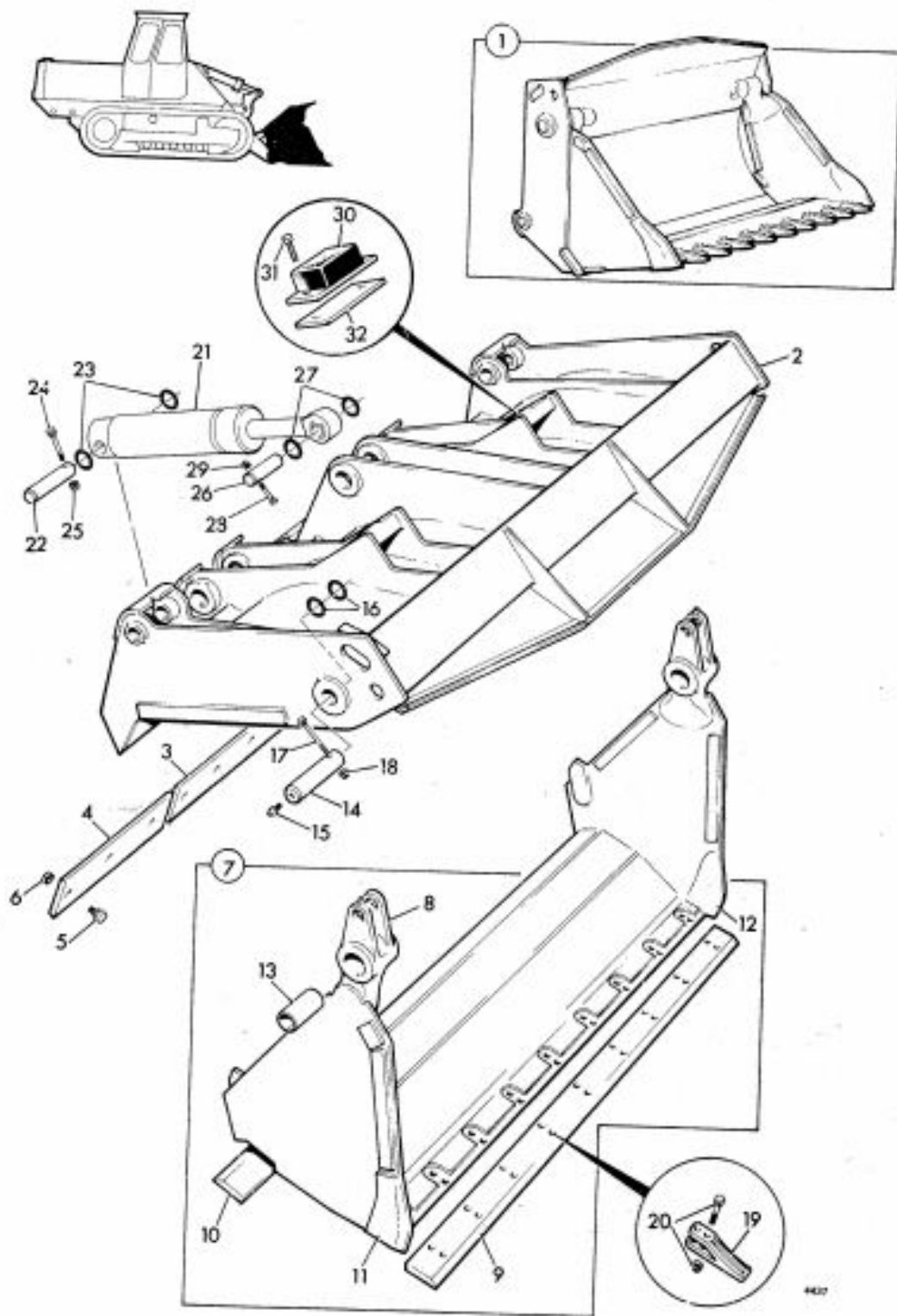
Track & running gear

J





A 2-3 6 IN 1 BUCKET



ITEM PART No.

1	521/08000	...
2	521/08300	...
3	521/08000	...
4	521/02303	...
5	826/00235	...
6	1340/0701	...
7	521/08800	...
8	521/08701	...
9	521/08805	X
10	521/08803	...
11	521/02401	...
12	521/02402	...
13	808/00144	...
14	1021/3827	...
15	1450/0001	...
16	813/00151	...
17	1305/3436	...
18	1340/0403	...
19	521/02306	X
20	990/15900	...
21	See Index E	...
22	1019/2048	...
23	813/00152	...
24	1305/3222	...
25	1340/0203	...
26	1019/2013	...
27	813/00152	...
28	1305/3230	...
29	1340/0203	...
30	251/00202	...
31	1305/0207	...
32	270/00417	...



Thank you very much
for your reading.
Please click here
to get more information.