

# JCB 2CX,210,212 Backhoe Loader Service Repair Manual



## General Information

**Service Manual - Backhoe Loader**

[Section 1 - General Information](#)

[Section 2 - Care and Safety](#)

[Section 3A - Maintenance](#)

[Section 3B - Maintenance](#)

[Section A - Attachments](#)

[Section B - Body and Framework](#)

[Section C - Electrics](#)

[Section D - Controls](#)

[Section E - Hydraulics](#)

[Section F - Transmission](#)

[Section G - Brakes](#)

[Section H - Steering](#)

[Section K - Engine](#)

[Section L - JCB Engine Variant](#)



Publication No.  
9803/7130-07



Copyright © 2007 JCB SERVICE. All rights reserved. No part of this publication may be reproduced, stored in a retrieval system, or transmitted in any form or by any other means, electronic, mechanical, photocopying or otherwise, without prior permission from JCB SERVICE.

Issued by JCB Technical Publications, JCB Attachment Training, Woodway, Haverley, Salfordville, ST11 2BN, England. Tel: +44 1889 991320 Fax: +44 1889 991320

World Wide  
Customer Support

Contents	Page No.
<b>Routine Maintenance</b>	
Introduction .....	3A-1
Health and Safety .....	3A-2
Lubricants .....	3A-2
Battery .....	3A-4
Service Schedules .....	3A-6
Introduction .....	3A-6
How to Use the Service Schedules .....	3A-6
Calendar Equivalents .....	3A-6
Pre-start Cold Checks, Service Points and Fluid Levels .....	3A-7
Functional Test and Final Inspection .....	3A-10
Fluids, Lubricants and Capacities .....	3A-12
Coolant Mixtures .....	3A-14
Prepare the Machine for Maintenance .....	3A-15
Introduction .....	3A-15
How to Make the Machine Safe (Loader Arm Lowered) .....	3A-15
How to Make the Machine Safe (Loader Arms Lifted) .....	3A-16
Cleaning the Machine .....	3A-18
Introduction .....	3A-18
Preparing the Machine for Cleaning .....	3A-18
Cleaning the Machine .....	3A-19
Checking for Damage .....	3A-21
Check the Machine Body and Structure .....	3A-21
Check the Tyres .....	3A-21
Check the Seat and Seat Belt .....	3A-21
Check the Hydraulic Hoses and Fittings .....	3A-21
ROPS/FOPS Structure .....	3A-23
Checking The ROPS/FOPS Structure .....	3A-23
Greasing .....	3A-24
Introduction .....	3A-24
Preparing the Machine for Greasing .....	3A-24
Loader Arms - Standard .....	3A-24
Loader Arms - High Specification .....	3A-25
Backhoe .....	3A-26
6-in-1 Clamshovel (if fitted) .....	3A-27
Backhoe Quick-Hitch (Mechanical) .....	3A-27
Backhoe Quick-Hitch (Hydraulic) .....	3A-28
Axles .....	3A-29
Propshafts .....	3A-31
Airmaster Driveshaft .....	3A-32
Stabiliser Legs .....	3A-32
Extending Dipper .....	3A-33
Lubrication .....	3A-34
Engine Panels .....	3A-35
Opening and Closing the Bonnet .....	3A-35
Removing and Fitting a Side Panel .....	3A-35
Removing and Fitting the Front Grille .....	3A-36
Heater and Air Conditioning .....	3A-37
Changing the Recirculation Filter .....	3A-37
Adjusting the Compressor Drive Belt .....	3A-37
Brakes .....	3A-38
Park Brake Adjustment .....	3A-38
Checking the Foot Brake Fluid Level .....	3A-39

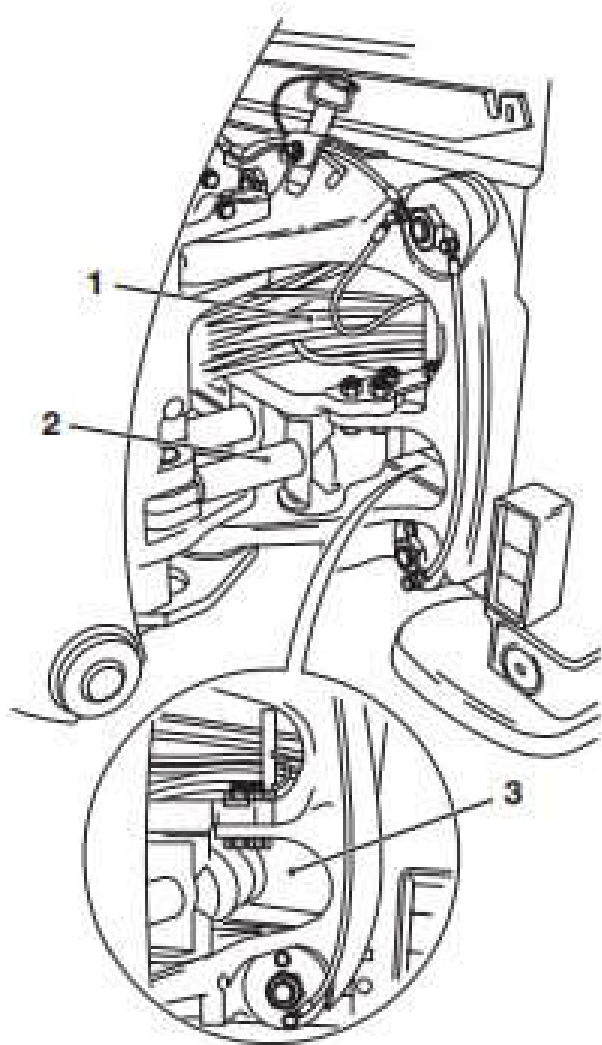


Fig 3.

- d Kingpost slide rails (sideshift).
- e Kingpost hose tray and bottom 'shelf' (sideshift).

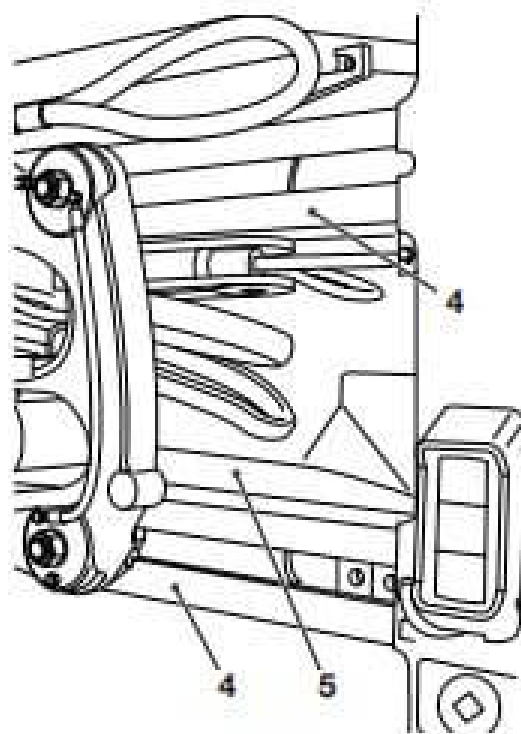


Fig 4.

- f Recess between slewing ring and kingpost casting (sideshift).

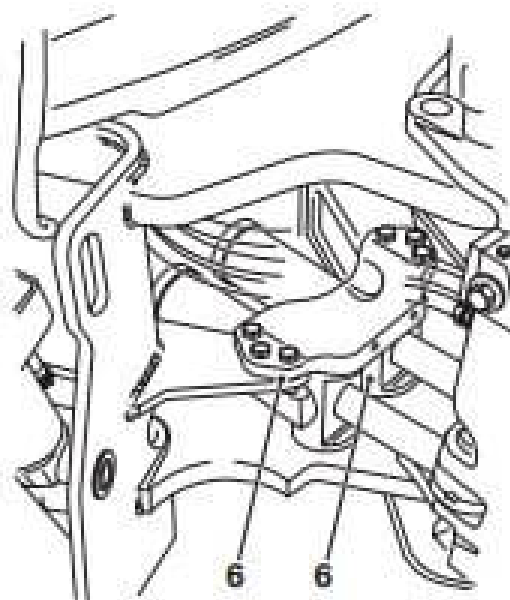


Fig 5.



Thank you very much  
for your reading.  
Please click here  
to get more information.