

# JCB 526,526S,528-70,528S Rear Engine Loadalls Service Repair Manual



PDF



DOWNLOAD



## JS130W, JS145W, JS160W, JS175W

[Section 1 - General Information](#)

[Section 2 - Care & Safety](#)

[Section 3 - Maintenance](#)

[Section B - Body & Framework](#)

[Section C - Electrics](#)

[Section D - Controls](#)

[Section E - Hydraulics](#)

[Section F - Transmission](#)

[Section K - Engine](#)



Publication No.  
9803/6590-3



Copyright © 2004 JCB Services. All rights reserved. No part of this publication may be reproduced, stored in a retrieval system, or transmitted in any form or by any other means, electronic, mechanical, photocopying or otherwise, without prior permission from JCB Services.

Issued by JCB Technical Publications, JCB Operational Training, Villacoublay, France, Staffordshire, ST14 6RN, England. Tel: +44 (0)1829 541322 Fax: +44 (0)1829 541323

World Class  
Customer Support

## Daily Checking

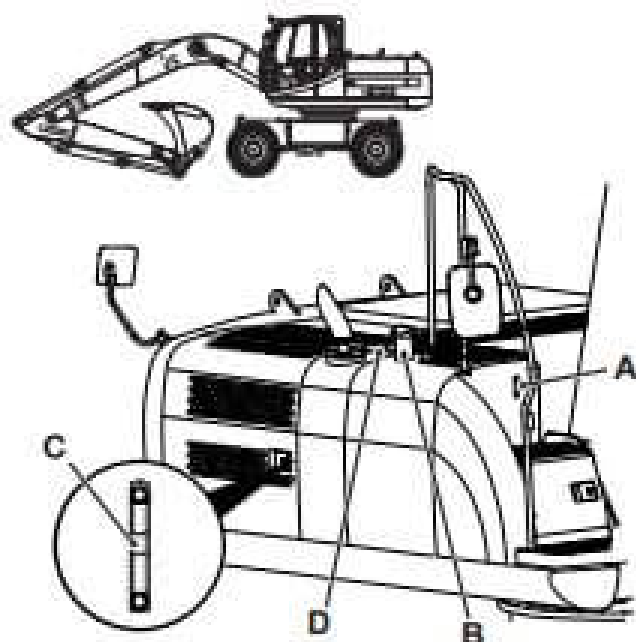


Fig 7.

## 7 Fuel level check

Check the fuel level by inspecting the fuel gauge A located on the front of the tank and monitor display. If low, refill through the fuel filler port B.

**⚠ WARNING**

Do not remove the hydraulic tank filler cap or cover plate when the engine is running. The hydraulic system is under pressure. You or others could be injured. First stop the engine and then release the pressure.

3-3-4-4

## 8 Hydraulic oil level check and refilling.

- a Follow steps 1-3 of the daily checking procedure leaving the boom, dipper and bucket positioned [Fig 7.](#) ([D 3-32](#)).
- b Check to see that the hydraulic oil level is near the centre of the level gauge C.
- c If it is low, remove the filler plug D and refill. Take care that no dirt or dust gets into the hydraulic oil when refilling.

- d Check the mounting bolts of the fuel and hydraulic oil tanks for looseness and for fuel and hydraulic oil leakage.
- e Check the mounting bolts of the electrical parts and battery terminals for looseness and wire breakage.

## 9 Boom/Dipper

Check the high pressure hoses/joints and the hydraulic rams for oil leakage.

## 10 Accumulator - Check charge

- a Extend dipper and raise boom.
- b Apply engine shutdown.
- c Operate boom down function.
- d Ensure boom lowers to the ground under its own weight.

## 11 Bucket and Linkage.

- a Check the bucket teeth and side cutter for looseness, wear and breakage.
- b Check the lubrication of the linkage K and surrounding parts. Check to see if the bucket side play is within allowable range. (Refer to the Bucket Section for side play adjustment.)

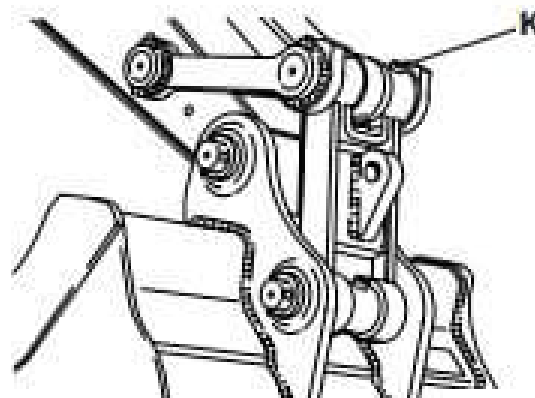


Fig 8.



Thank you very much  
for your reading.  
Please click here  
to get more information.