

JCB 527-58 Telescopic Handler Service Repair Manual



PDF



DOWNLOAD



Fastrac 2155 and 2170

[Section 1 - General Information](#)

[Section 2 - Care and Safety](#)

[Section 3 - Maintenance](#)

[Section A - Attachments](#)

[Section B - Body and Framework](#)

[Section C - Electrics](#)

[Section D - Controls](#)

[Section E - Hydraulics](#)

[Section F - Transmission](#)

[Section G - Brakes](#)

[Section H - Steering](#)

[Section S - Suspension](#)

[Section T - Engine](#)



Publication No.
9803/8050-1



Copyright © 2001 JCB SERVICE. All rights reserved. No part of this publication may be reproduced, stored in a retrieval system, or transmitted in any form or by any other means, electronic, mechanical, photocopying or otherwise, without prior permission from JCB SERVICE.

Issued by JCB Technical Publications, JCB Agricultural Training, Woodway, Haverley, Sulistone, ST19 9NS, England. Tel: +44 1889 991325 Fax: +44 1889 991320

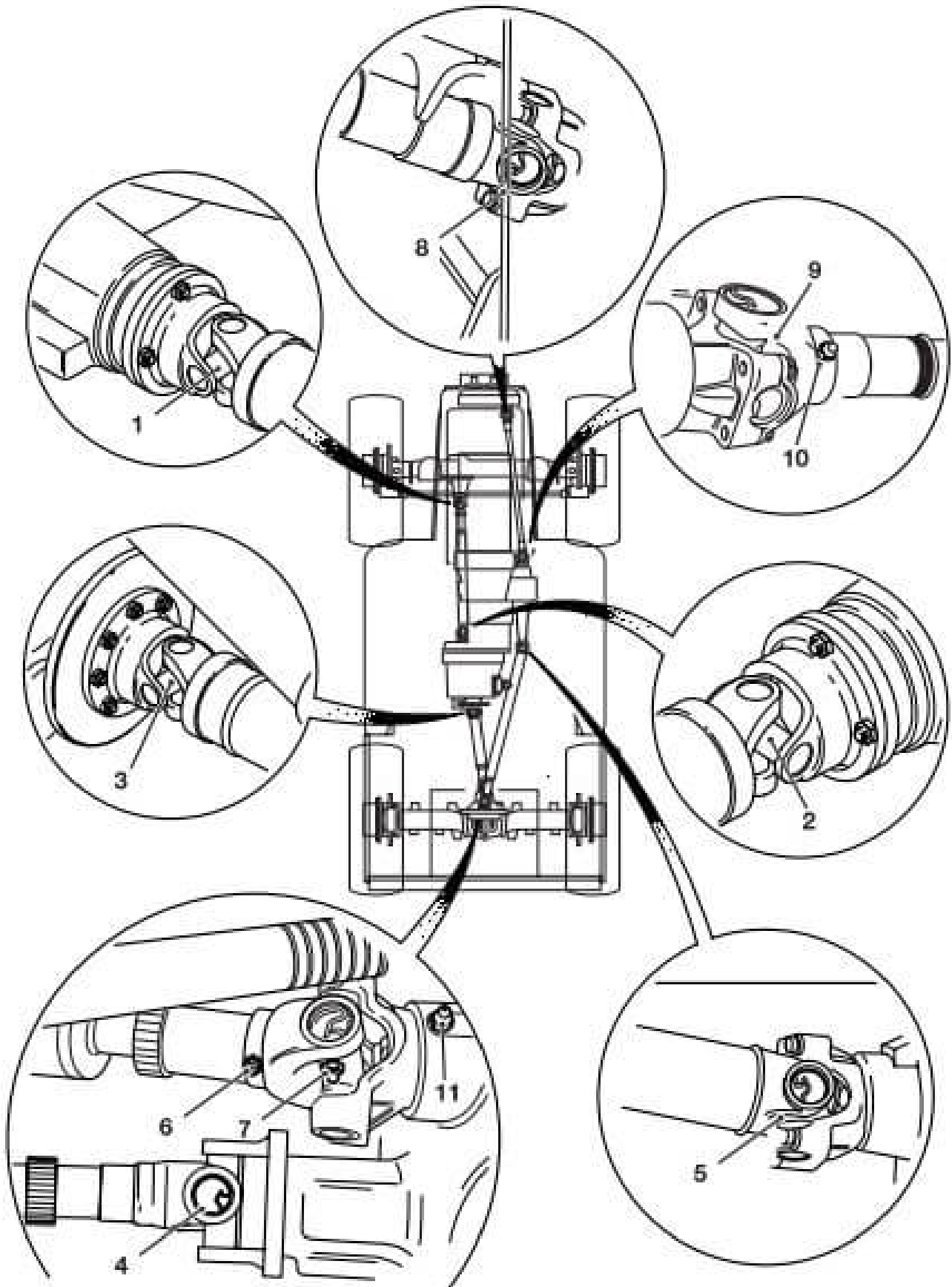


Fig 4.

Checking the ROPS Structure

⚠ WARNING

You could be killed or seriously injured if you operate a machine with a damaged or missing ROPS/FOPS. If the Roll Over Protection Structure (ROPS)/Falling Objects Protection Structure (FOPS) has been in an accident, do not use the machine until the structure has been renewed. Modifications and repairs that are not approved by the manufacturer may be dangerous and will invalidate the ROPS/FOPS certification.

INT-3-1-8_8

Check the structure for damage.

Check that the four mounting bolts are installed and undamaged. Check that torque tightness of nuts **A** and **B** is correct (see table below). Tighten them to the correct torque if necessary.

Zinc-Plated Fasteners (colour: golden)

Nm	Kgf m	lbf ft
375	38	277

Dacromet Fasteners (colour: mottled silver)

Nm	Kgf m	lbf ft
365	37	269

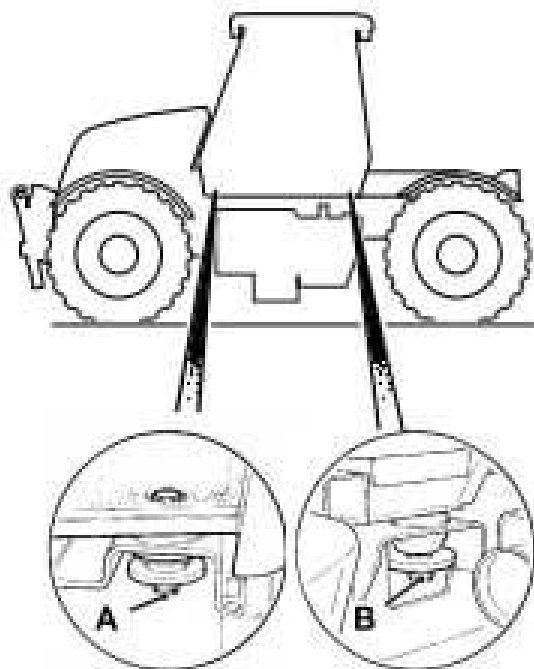


Fig 1.



Thank you very much
for your reading.
Please click here
to get more information.