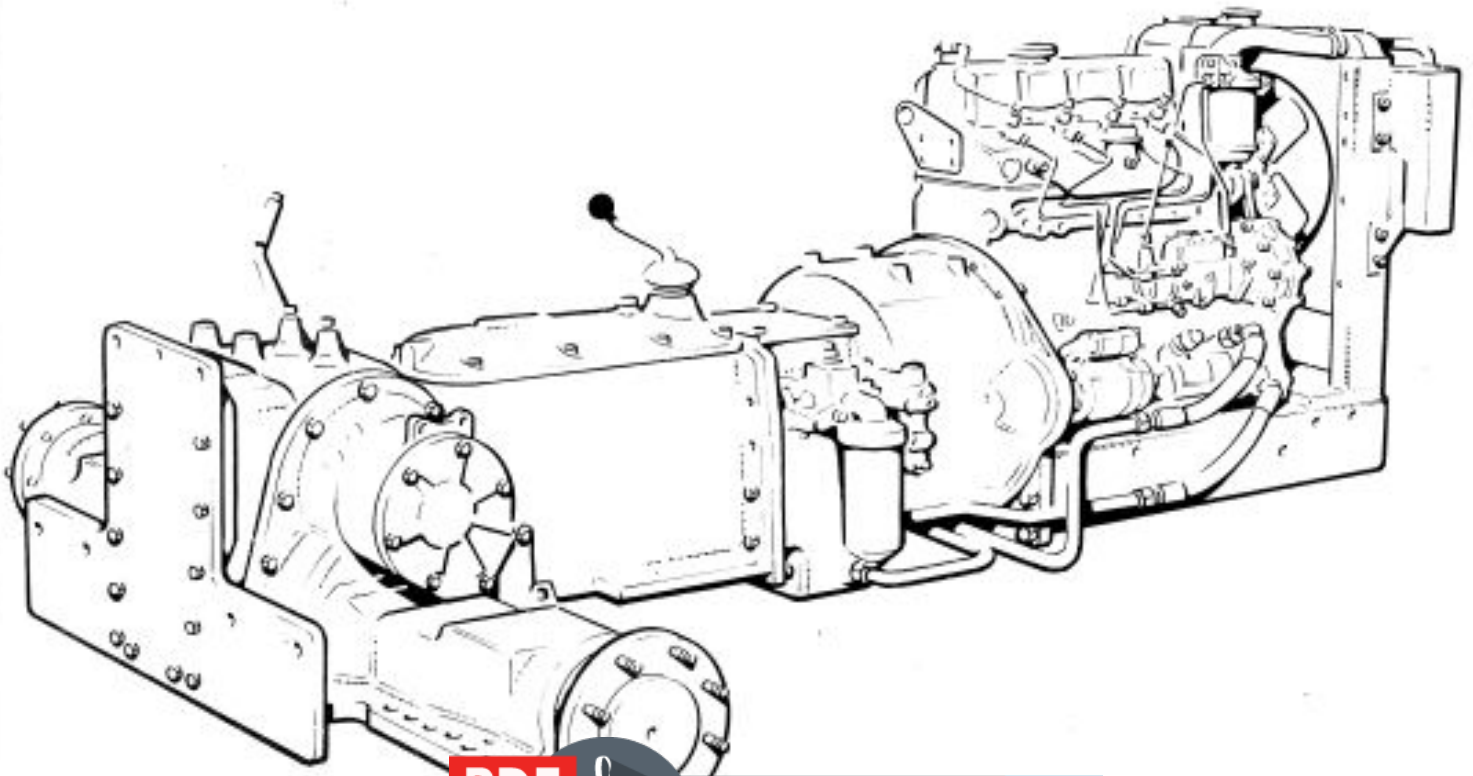




180° ENGINE & TRANSMISSION



PDF



DOWNLOAD



BMC

40

30

TH

CH

GO

ST

BR

EN

FI

DI

P.

To



Service Manual

LOADALL

**528-70 & 528S
Machines**

PUBLISHED BY THE
TECHNICAL PUBLICATIONS DEPARTMENT
OF JCB SERVICE; ©
WATERLOO PARK, UTTOXETER,
ST14 5PA, ENGLAND
Tel. 01889 - 590312
PRINTED IN ENGLAND

Publication No. 9803/3650 Issue 4

General Information	1
Care & Safety	2
Routine Maintenance	3
Attachments	A
Body & Framework	B
Electrics	C
Controls	D
Hydraulics	E
Transmission	F
Brakes	G
Steering	H
Engine	K

Machine Identification

Your machine has an identification plate 1 mounted as shown. The serial numbers of the machine and its major units are stamped on the plate.

Explanation of Vehicle Identification Number (VIN)



A314030

SLP 528-67 XE 796000

A B C D E

A	World Manufacturer Identification	SLP = JCB
B	Machine Model	528-70
C	Year of Manufacture:	
P = 1993	V = 1997	1 = 2001
R = 1994	W = 1998	2 = 2002
S = 1995	X = 1999	3 = 2003
T = 1996	Y = 2000	4 = 2004
D	Manufacturing Location	E = England
E	Machine Serial Number	796000

Machine Model Explanation

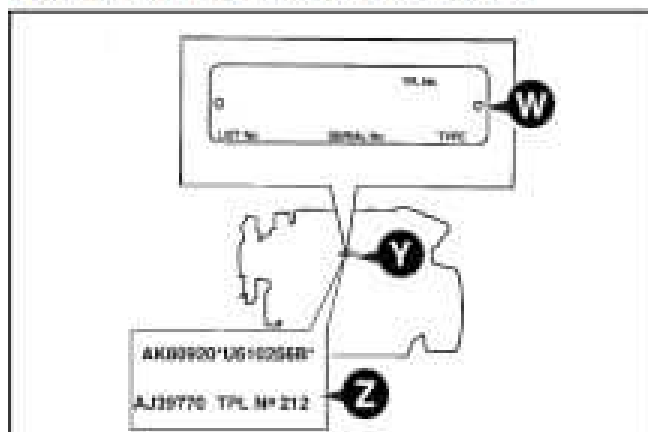
528 - 70
FG H

- F** 500 Series machine range
- G** 2.86 tonnes lift capacity
- H** 6.75 meters lift height

Unit Identification

The engine serial number is stamped on label **W** which is fastened to the right side of the cylinder block at **Y**, near the fuel filter.

Explanation of Engine Identification Number



Typical Engine Identification Number

AA 50261 U 500405 P
A B C D E

A Engine Type:

A series

- AK = 4 cylinder turbo - low emission, stage 1
- AR = 4 cylinder naturally aspirated - low emission, stage 1

R Series

- RE = 4 cylinder naturally aspirated, low emission, stage 2
- RG = 4 cylinder turbo, low emission stage 2

B Build Number

C Country of Manufacture

D Engine Serial Number

E Year of Manufacture

If service information or parts are required, the complete engine number should be quoted.

If there is also a number marked 'TPL No', this should be quoted also.

If a short engine has been fitted in service, two engine serial numbers and a TPL No. are stamped on the serial number plate as at **Z**. All the numbers should be quoted when requiring parts or information.

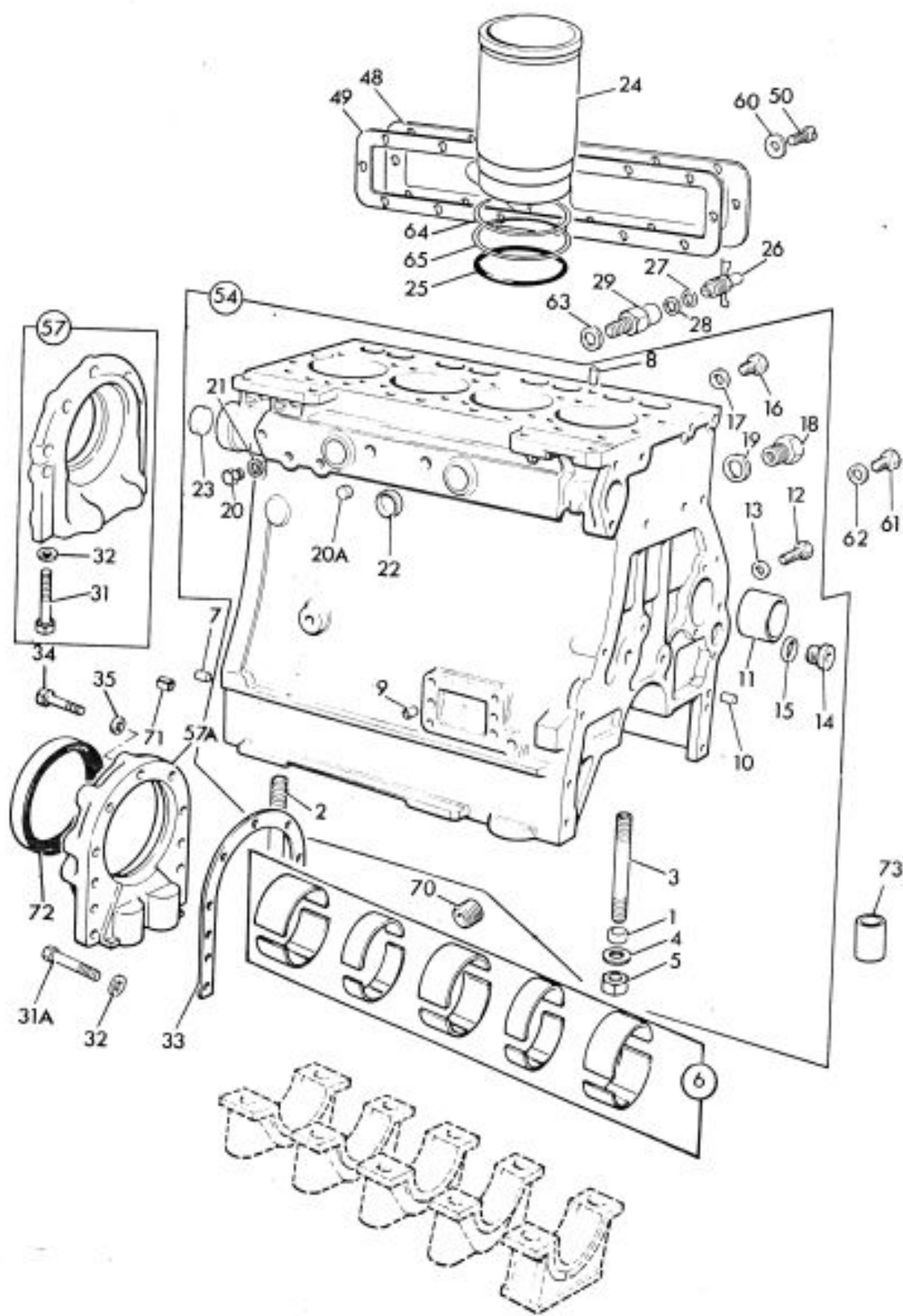
Note: Where the procedures in this service manual differ according to engine types, the text and/or illustrations will specify which engine types apply.

Transmission and axle identification is shown on the next page.



EA 2 CYLINDER BLOCK

ITEM PART No. CH



54 37D96 To
37D403 Su
86K1341

37D808 To
37D2938 Su
37D3067 To
37D3476 To
37D4003 Su
N.S.P.

1 02/300201 ..

2 37D86 ..

37D528 ..

3 37D85 ..

37D527 To

37D3449

4 37D91 ..

5 13H1990 ..

13H2995 Su

13H4043 Su

88G590

6 8G2366 ..

02/392008 ..

8G2366/15 ..

02/392009 ..

8G2366/30 ..

02/392010 ..

8G2366/45 ..

02/392011 ..

7 AMK1017 ..

8 AMK697 ..

9 AMK783 ..

10 02/394005 ..

11 02/392001 ..



Thank you very much
for your reading.
Please click here
to get more information.