

# JCB Cummins ISC,iSCe,QSC8.3,ISL and QSL9 Engines Troubleshooting and Service Repair Manual



## Side Engine Loadalls

[Section 1 - General Information](#)

[Section 2 - Care and Safety](#)

[Section 3 - Routine Maintenance](#)

[Section A - Attachments](#)

[Section B - Body and Framework](#)

[Section C - Electrics](#)

[Section D - Controls](#)

[Section E - Hydraulics](#)

[Section F - Transmission](#)

[Section G - Brakes](#)

[Section H - Steering](#)

[Section K - Engine](#)

[Section L - Flowshare](#)



Publication No.  
9803/3730-10



Copyright © 2007 JCB SERVICE. All rights reserved. No part of this publication may be reproduced, stored in a retrieval system, or transmitted in any form or by any other means, electronic, mechanical, photocopying or otherwise, without prior permission from JCB SERVICE.

Issued by JCB Technical Publications, JCB Alternative Training, Villanova, Haverton, Rotherham, S711 5RH, England. Tel: +44 1909 691300 Fax: +44 1909 691100

World Class  
Customer Support

Cleaning the Machine

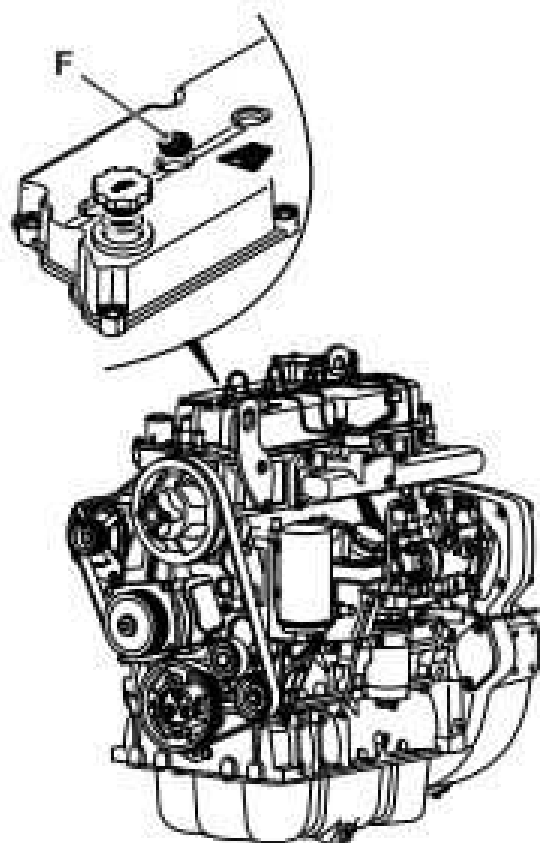


Fig 3.

Refit the undershields.

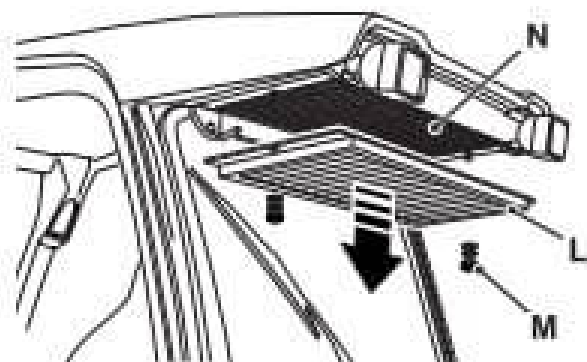


Fig 4.

4 If the machine is fitted with a roof mounted air conditioning condenser:

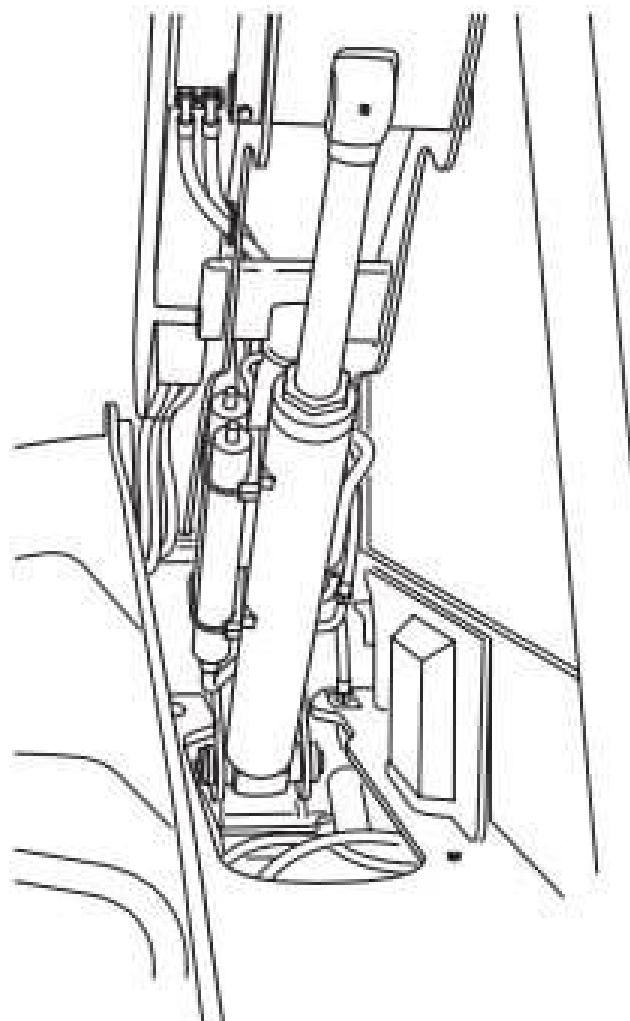


Fig 5.

5 Debris can collect under the boom. ➔ [Fig 5. \(D 3-29\)](#). Remove especially all combustible material.

6 Do not allow debris to accumulate in the cavity K at the end of the boom on 531-70, 536-70 and 541-70 machines. ➔ [Fig 6. \(D 3-30\)](#). Remove and clean away all debris that may have built up around the till ram.

# ROPS/FOPS (and OECD) Structure

## Checking the ROPS/FOPS (and OECD) Structure

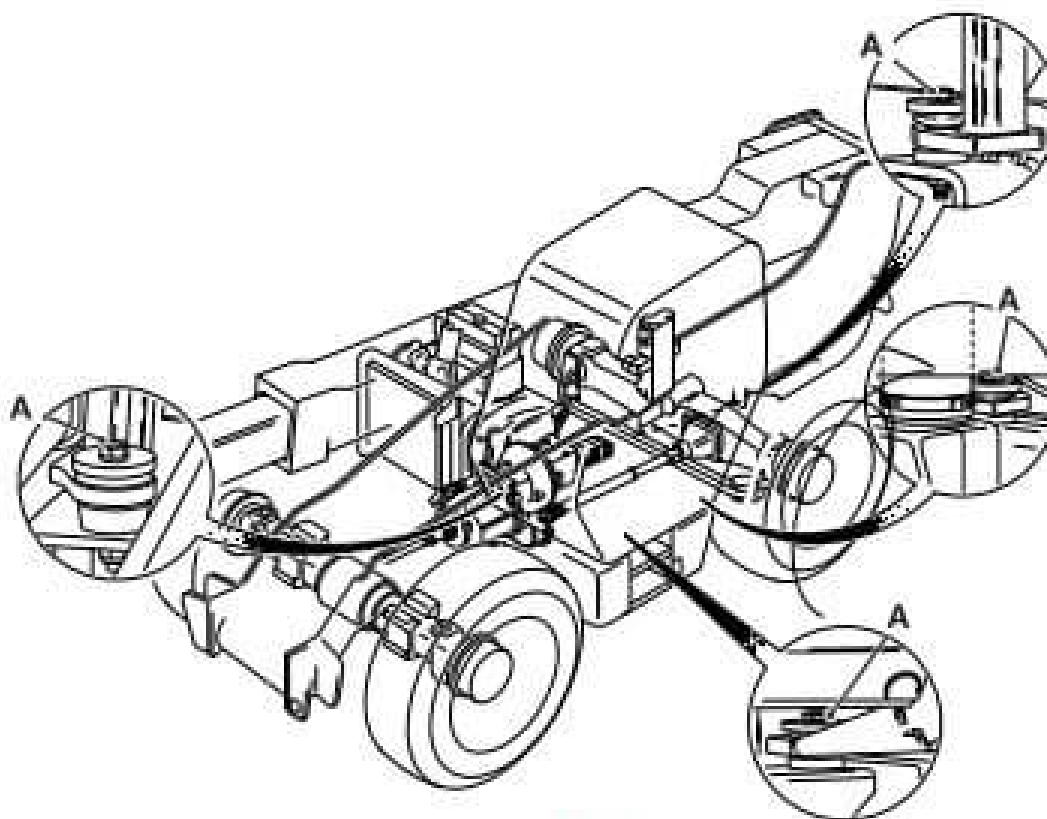


Fig 7.

### WARNING

You could be killed or seriously injured if you operate a machine with a damaged or missing ROPS/FOPS. If the Roll Over Protection Structure (ROPS)/Falling Objects Protection Structure (FOPS) has been in an accident, do not use the machine until the structure has been renewed. Modifications and repairs that are not approved by the manufacturer may be dangerous and will invalidate the ROPS/FOPS certification.

INT-3-1-9\_8

For assistance, contact your JCB distributor. Failure to take these precautions could result in death or injury to the operator.

Check the structure for damage. Check that the mounting bolts A are installed and undamaged. Check the bolt torques. → [Table 6. Torque Settings \(D 3-34\)](#). Tighten them to the correct torque if necessary.

Table 6. Torque Settings

Item	Nm	lbf ft
A	244	180
A (1)	190	140

(1) 526-56 Machines



Thank you very much  
for your reading.  
Please click here  
to get more information.