

JCB JS200LC,JS240LC,JS300LC,JS450LC Tracked Excavators Service Repair Manual



Loadall Range

This Service Manual covers the following machines:-

**520 from machine No. 500001, 520HL, 520 Farm Special, 520M,
525, 525B, 525B HL, 525B Farm Special,
530, 530 HL, 530B, 530B HL,
540B, 540BM.**

Information covers 2 and 4 wheel drive machines.

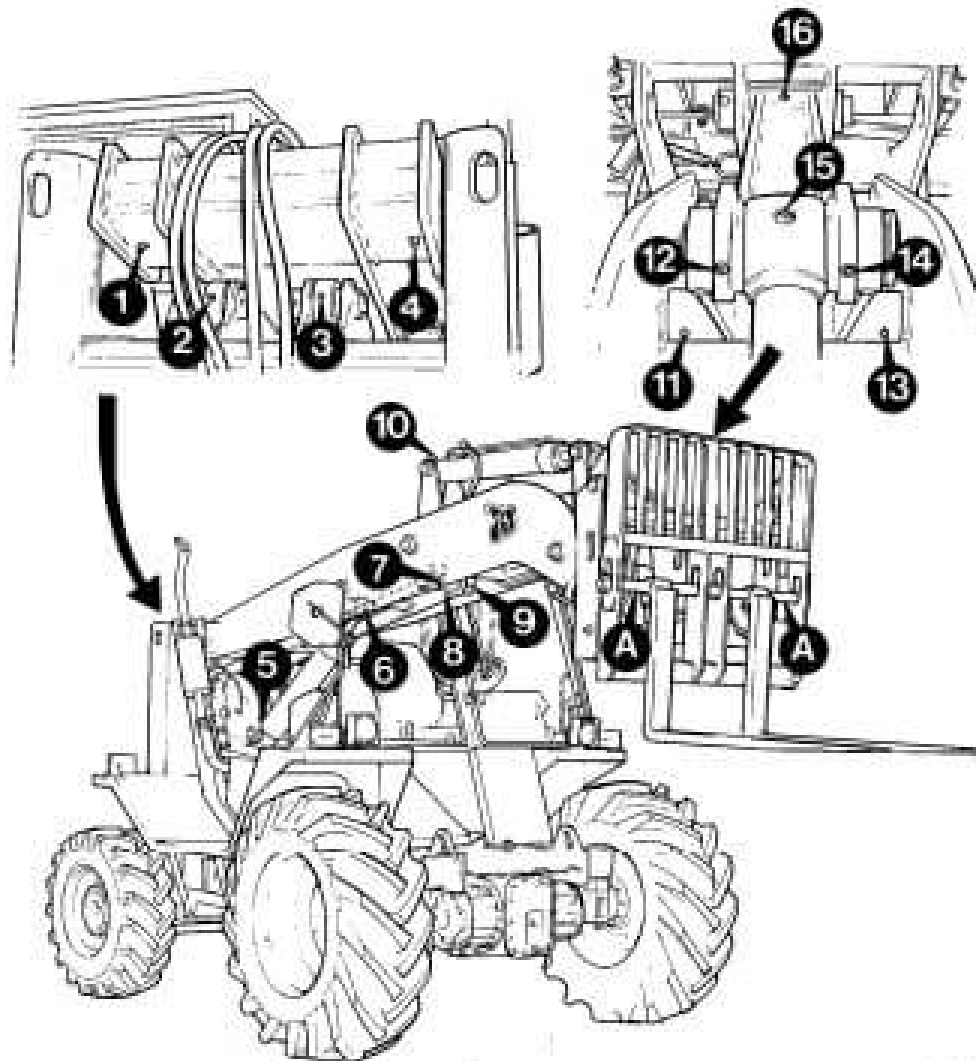
GREASING LOADER UNIT - 520M

Every 10 Hours

Grease pivot points 1 to 16.

Every 100 Hours

Brush JCB Slide Lubricant on fork pins A.

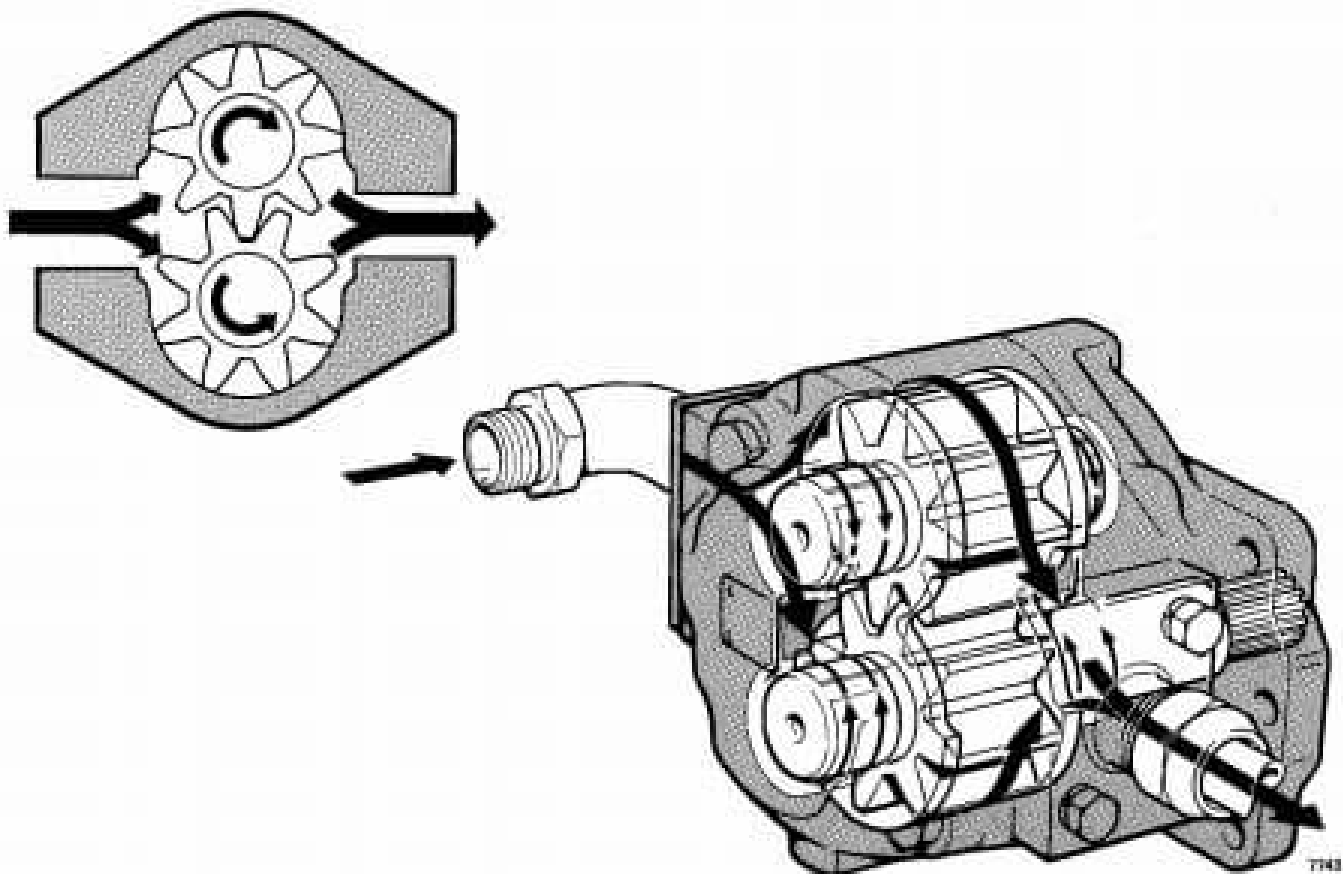
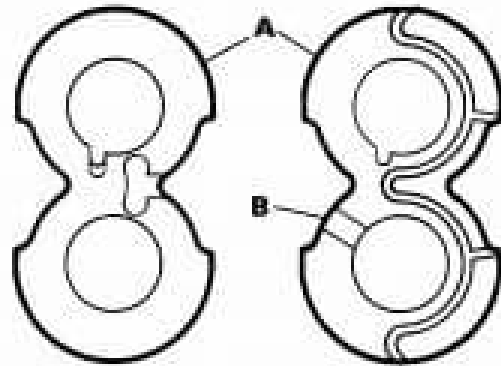


PUMP OPERATION (Hamworthy)

The loader pump is a gear type, mounted at the rear of the machine and driven by the engine.

The working principle of a gear pump depends on the meshing of two spur gears. Oil is picked up on the suction side of the pump by the gears and carried round between the gear teeth and the pump body. As the gears come into mesh the oil is forced out through the outlet port.

Some oil is allowed to circulate behind the wear plates **A** to hold the plates against the gears and minimise oil slippage. Lubrication oil is taken via the 'D' shaped recess in the wear plates; this circulates around the gear shaft journals, lubricating the needle roller bearings of the idler gear. It transfers to the input gear bearings via an internal gallery, then bleeds back into the suction side of the pump across the diagonal slot **B** in the face of the wear plate.





Thank you very much
for your reading.
Please click here
to get more information.