

JCB JS200W Wheeled Excavators Service Repair Manual





Service Manual

500 Series

From m/c No. 561001

This Service Manual covers the following Machines:-

505-19 - Serial Number 561001 - 579365

505-22 - Serial Number 561001 - 579365

508-40 - Serial Number 562601 - 579365

506-36 - Serial Number 563359 - 579999

510-40 - Serial Number 564542 - 579365

508-40, 508-40 - PlaceAce

505-19, 505-22 - Basic Servo Options

506-36, 508-40 - Servo Options

506B - Serial Number 570000 - 579766

Information covers two stage and three stage boom machines.

JCB INC. 10939 Philadelphia Road, White Marsh, MD 21162-0209, USA (410) 335-2800

JCB EXCAVATORS Ltd. 3375, North Service Road, Unit 6, Burlington, Ontario L7N, CANADA (905) 335-3441

Publication No. 9803/3600U Issue 16

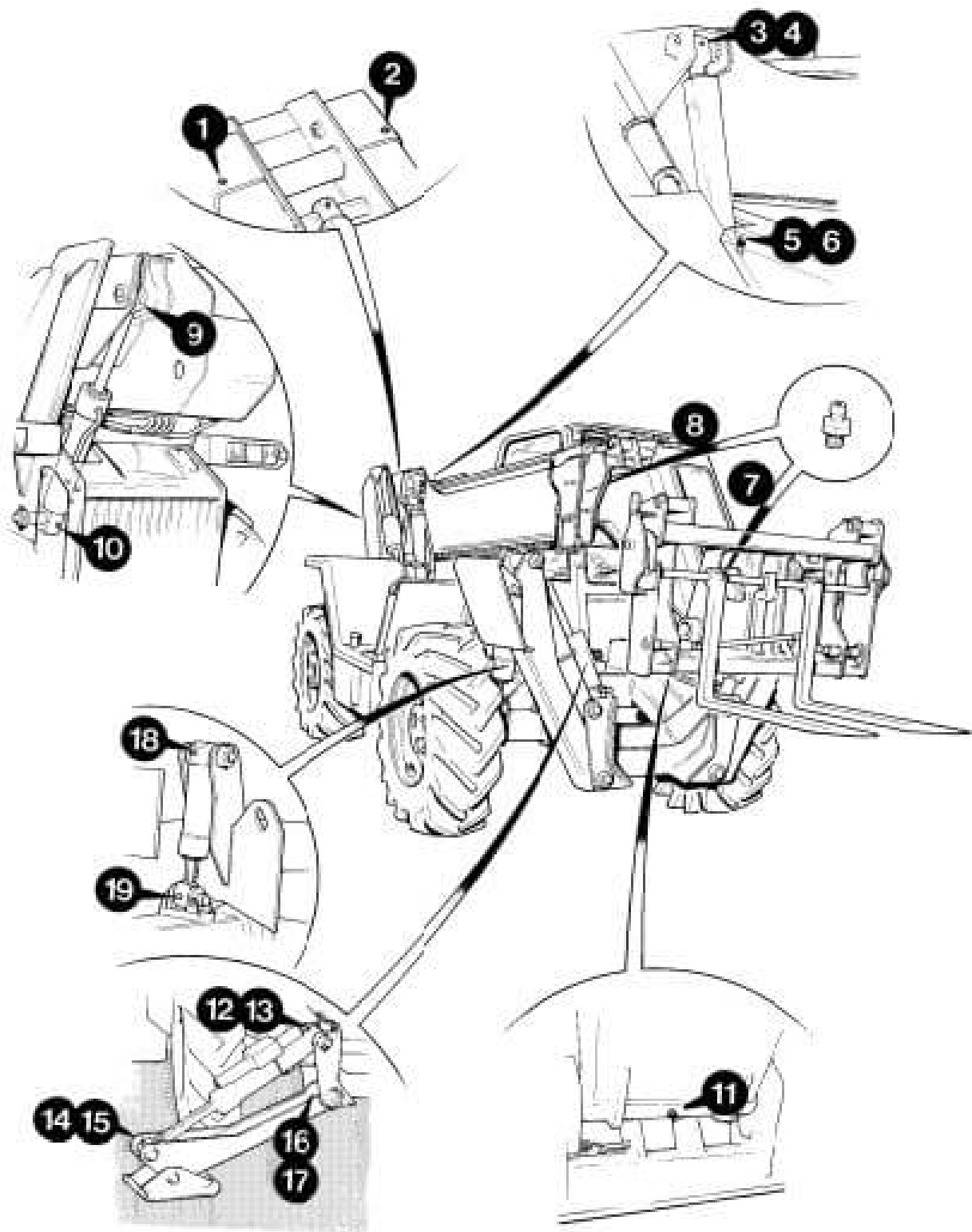
Published by the Technical Publications Dept. of JCB Service, Rocoeter, Staffordshire, England.

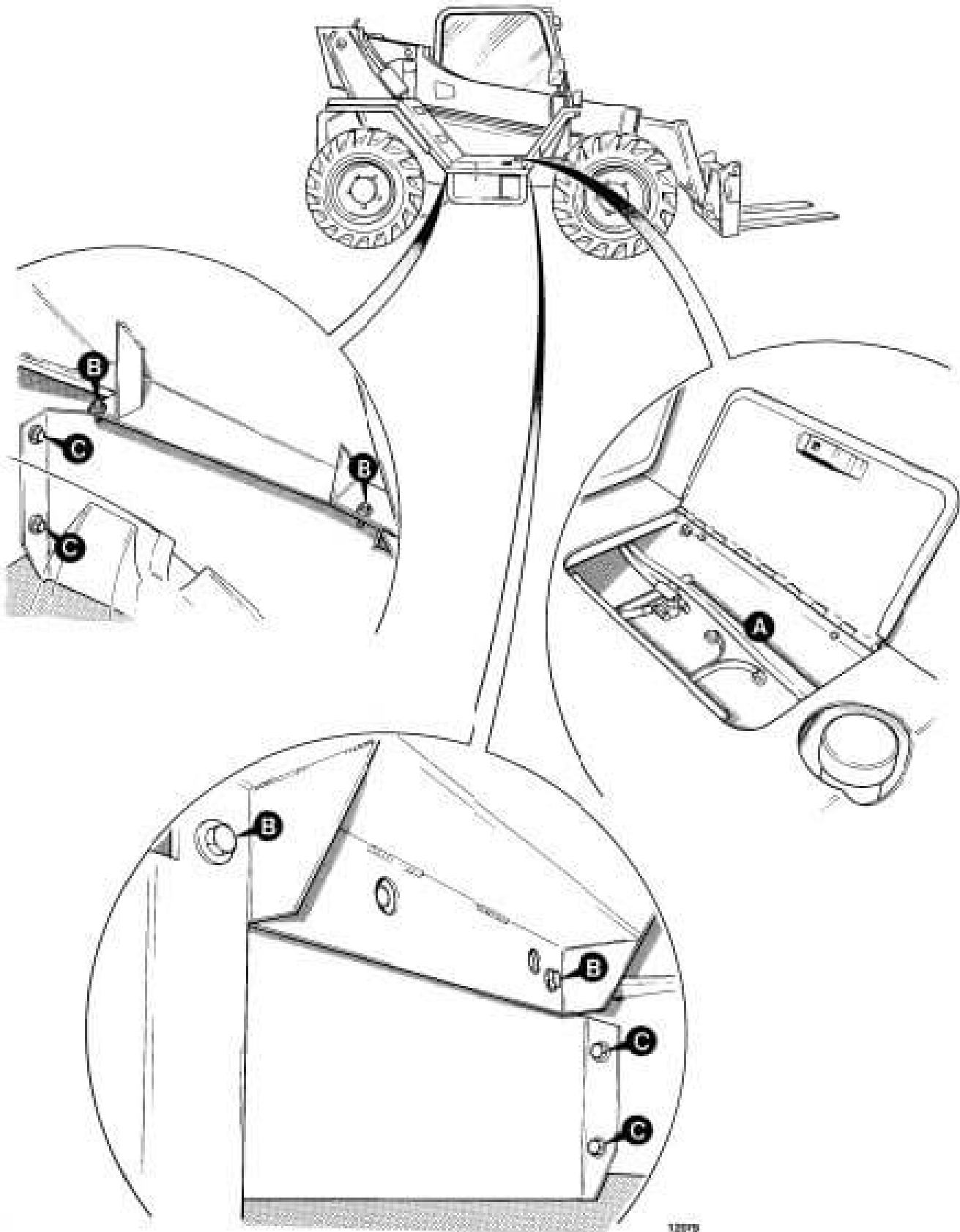
GREASING (508-40 and 510-40)

Pivot Pins - Grease Daily

13 Grease Points 508-40 (Stabilizer's not fitted)

19 Grease Points 510-40







Thank you very much
for your reading.
Please click here
to get more information.