

# JCB JS70 Tracked Excavators Service Repair Manual



PDF

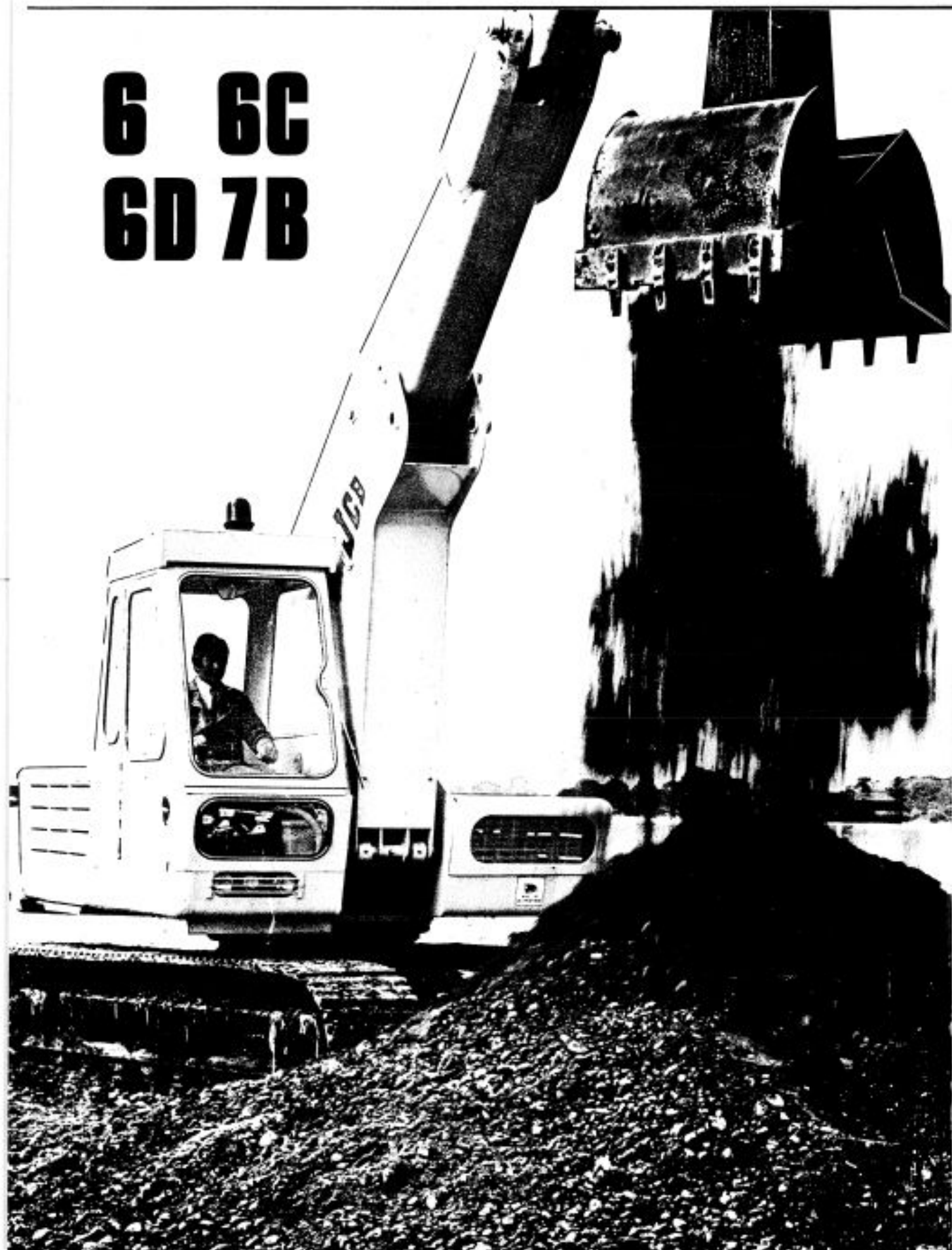


DOWNLOAD



**JCB**<sup>®</sup>

**6 6C**  
**6D 7B**

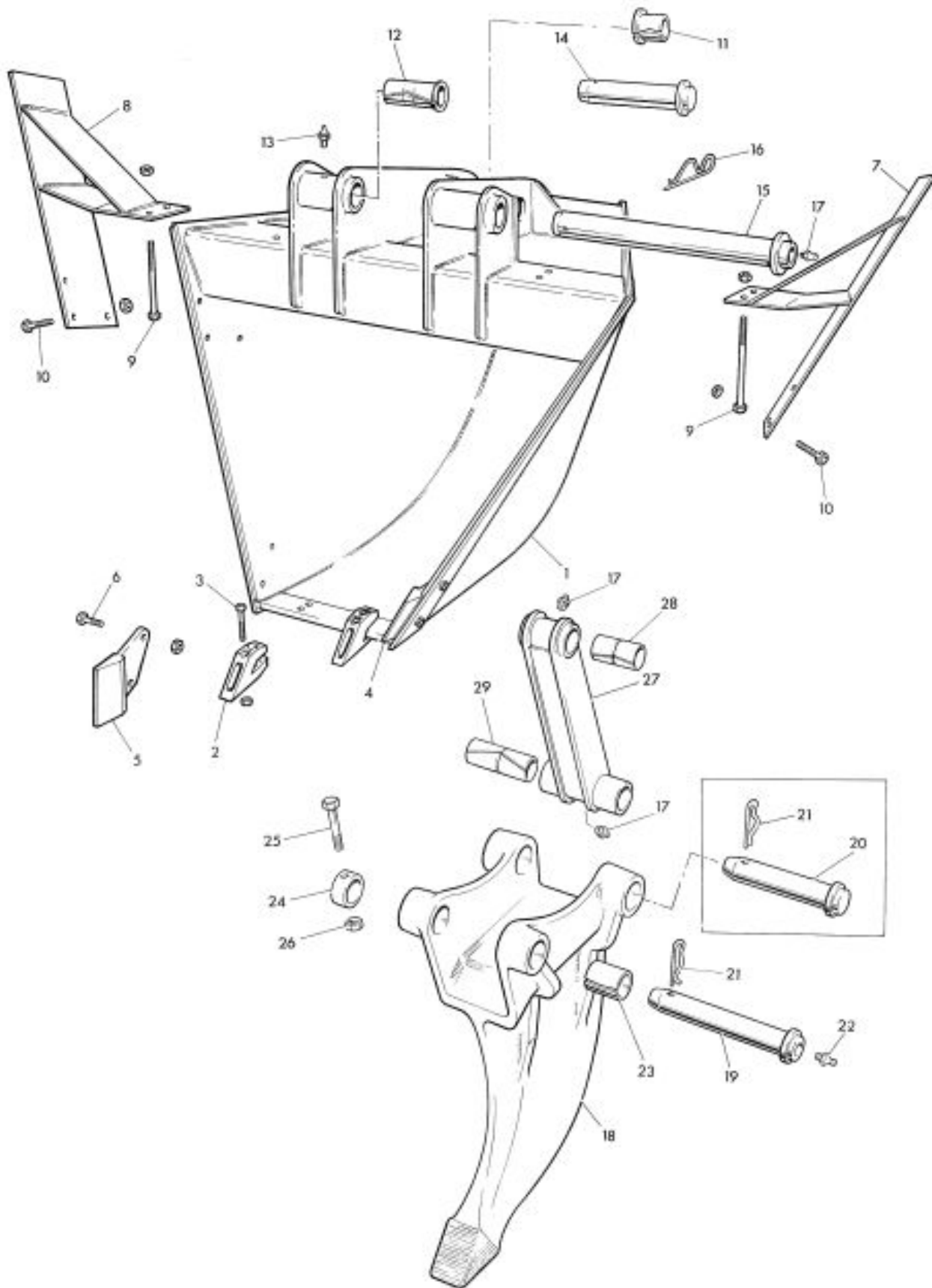




<b>buckets &amp; attachments crane</b>	<b>A</b>
<b>excavator &amp; framework</b>	<b>B</b>
<b>electrics</b>	<b>C</b>
<b>controls &amp; instrumentation</b>	<b>D</b>
<b>hydraulics</b>	<b>E</b>
<b>transmission</b>	<b>F</b>
<b>brakes</b>	<b>G</b>
<b>track &amp; running gear</b>	<b>J</b>
<b>engine fittings (4 cylinder)</b>	<b>K</b>
<b>engine fittings (6 cylinder)</b>	<b>L</b>



# A-4 TAPERED DITCH FORMING BUCKET



ITEM	PART No.	M/C
1	542/06100	...
2	537/00105	Sup
	537/00106	Sup
	537/00801	...
3	1325/3724	Sup
	1350/0701	Sup
	990/14700	...
4	537/00104	...
5	537/00103	...
6	535/00105	Sup
	1350/0701	Sup
	990/14900	...
7	537/13200	...
8	537/13300	...
9	1325/6744	...
10	535/00105	Sup
	1350/0701	Sup
	990/14900	...
11	G65/0	...
12	G65/1	...
13	1450/0001	...
14	911/00200	Sup
	911/04400	...
15	911/00400	Sup
	911/01300	...
16	530/14001	To
17	1450/0002	...
18	AEM6/695/5	Sup
	541/01902	To
	541/04300	...
	AEM6/695/5	Sup
	541/01902	To
	541/04300	...
	541/08500	...



Thank you very much  
for your reading.  
Please click here  
to get more information.