

JCB Midi CX Backhoe Loader Service Repair Manual





Service Manual

802
802.4
802 Super

Published by the
TECHNICAL PUBLICATIONS DEPARTMENT
of
JCB COMPACT PRODUCTS LTD;
Harewood Estate
Leek Road, Cheadle
Stoke-on-Trent
Staffordshire, England
ST10 2JU
Tel: 01538 757500, Fax: 01538 757590
Publication No. 9803/3140 Issue 4

General Information	1
Care & Safety	2
Routine Maintenance	3
Attachments	A
Body & Framework	B
Electrics	C
Controls	D
Hydraulics	E
Gearboxes	F
Track & Running Gear	J
Engine	L

CAB

The cab is bolted on top of the mainframe and is a welded steel construction. The cab has a sliding window on the right side, a hinged door and an up and over windscreen. All windows are of toughened glass. The cab is fitted with a windscreen wiper, heater fan, seat and all operating controls and instruments.

CAUTION

Do not drive the machine with the door unlatched. It must be correctly closed or secured fully open.

107923

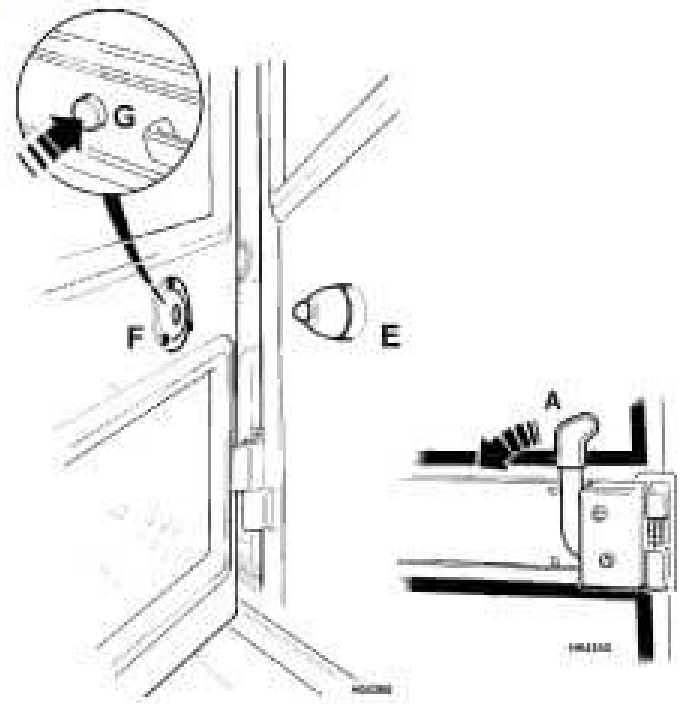
802 Super machines upto 833847**OPENING AND CLOSING THE DOOR**

To open a door from the outside, unlock it with the key provided and press the lock barrel to release the catch. To open a door from inside, push lever A downwards. Close the door from the inside by pulling it firmly, it will latch itself.

SECURING THE DOOR IN THE OPEN POSITION

Swing the door fully open until the spigot E on the side of the cab locates securely in the socket F on the door.

To release the door when it is secured fully open, operate the button G on the inside of the door.

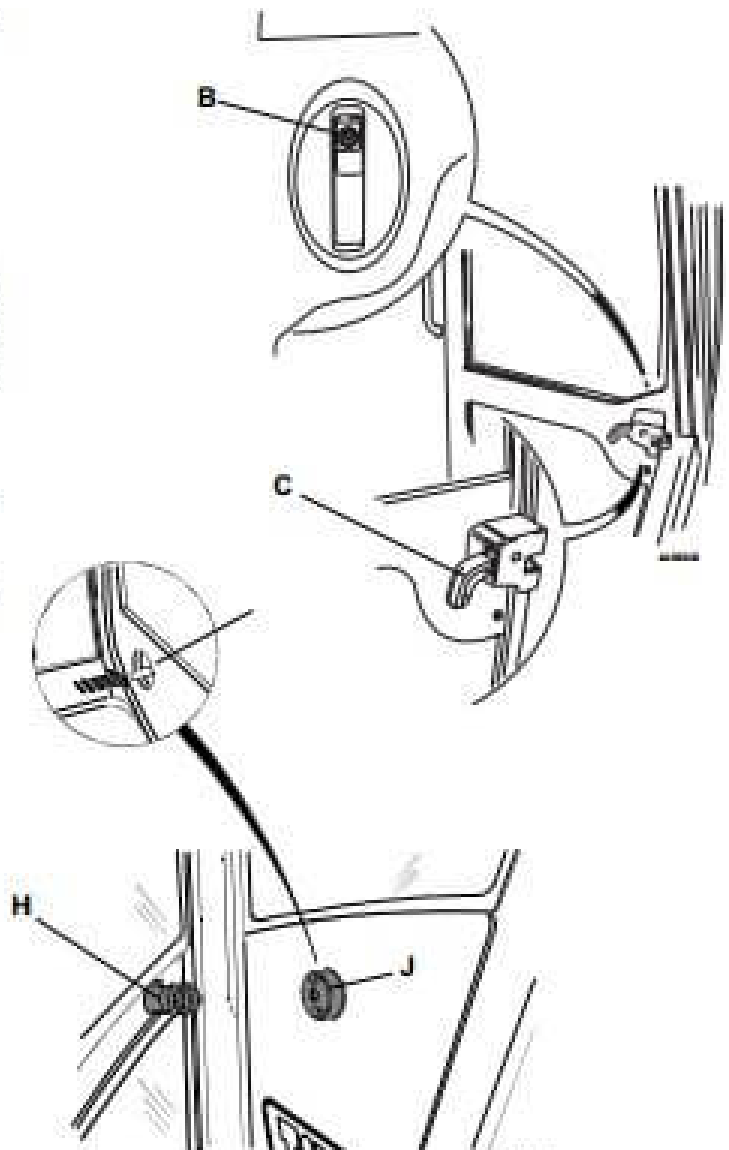
**802 Super machines from 733848****OPENING AND CLOSING THE DOOR**

To open a door from the outside, unlock it with the key provided and press the lock barrel B to release the catch. To open a door from the inside, push lever C upwards. Close the door from the inside by pulling it firmly, it will latch itself.

SECURING THE DOOR IN THE OPEN POSITION

Swing the door fully open until the spigot H on the side of the cab locates securely in the socket J on the door.

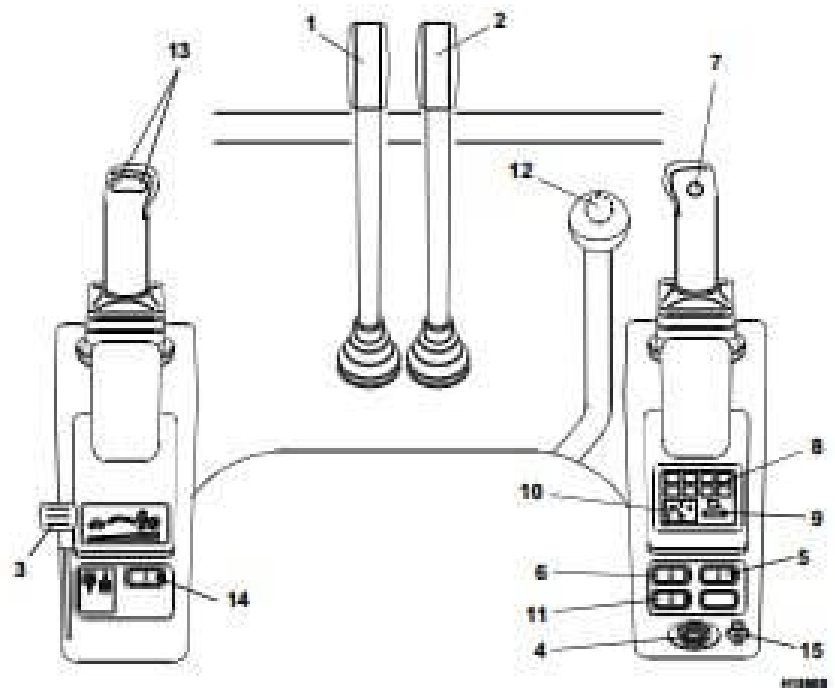
To release the door when it is secured fully open, operate the button K on the inside of the door.



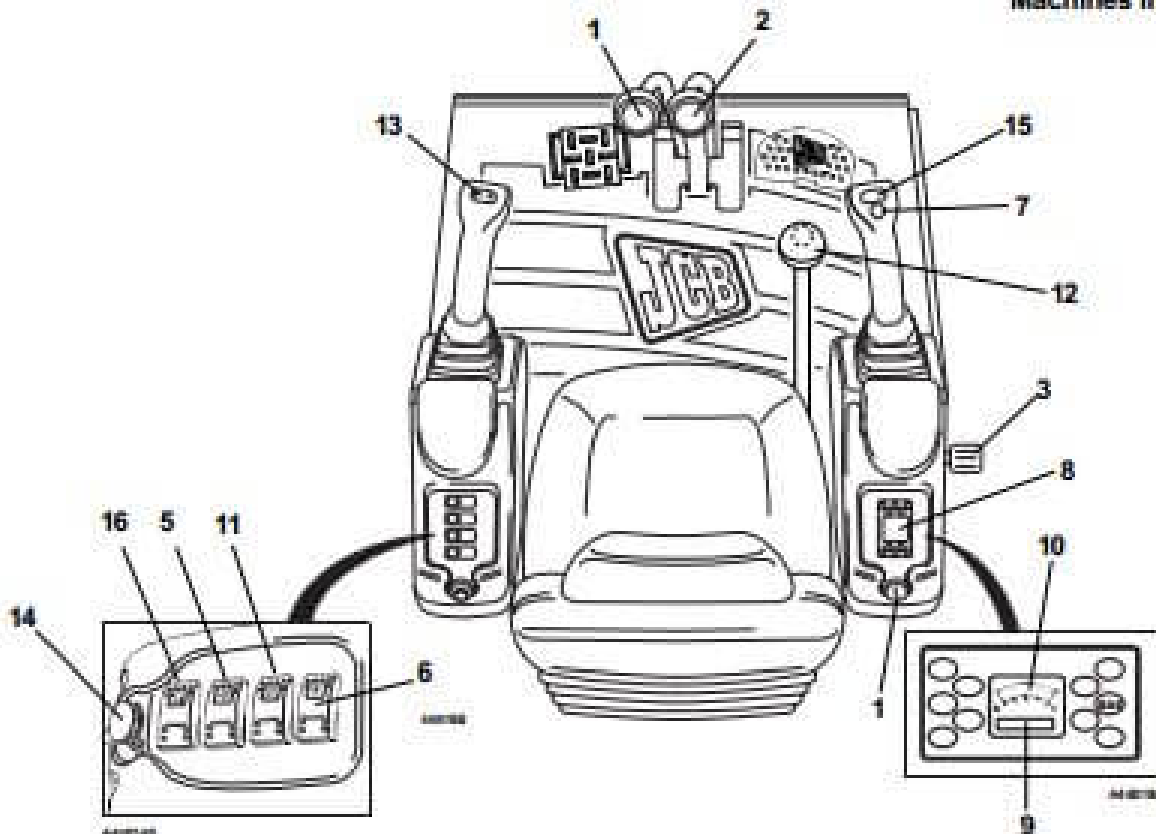
ENGINE AND TRACK CONTROLS, SWITCHES AND INSTRUMENTS

Machines upto 733847

- 1 Left Track Control Lever
- 2 Right Track Control Lever
- 3 Hand Throttle Lever
- 4 Starter Switch
- 5 Working Lights Switch
- 6 Windscreen Wiper Switch
- 7 Horn Button
- 8 Warning Lights
- 9 Hourmeter
- 10 Fuel Gauge
- 11 Heater Fan
- 12 Two Speed Tracking Switch
- 13 Slew/Swing Switches (Later models)
(L/H Button - Slew)
(R/H Button - Swing)
- 14 Slew/Swing Switches (Early models)
- 15 Beacon Socket
- 16 Boom Boost Switch (optional)
- 17 Beacon Switch



Machines from 733848





Thank you very much
for your reading.
Please click here
to get more information.