

JCB ROBOT 185,1105 Skid Steer Loader Service Repair Manual



PDF



DOWNLOAD





Service Manual

ROBOT 185, 1105

PUBLISHED BY THE
TECHNICAL PUBLICATIONS DEPARTMENT
OF JCB SERVICE; *
CHEADLE ROAD, UTTOXETER,
STAFFORDSHIRE, ST14 7BS, ENGLAND
Tel. ROCESTER (01889) 590312
PRINTED IN ENGLAND

Publication No. 9803/8510

General Information	1
Care & Safety	2
Routine Maintenance	3
Attachments	A
Body & Framework	B
Electrics	C
Controls	D
Hydraulics	E
Transmission	F
Brakes	G
Engine	K

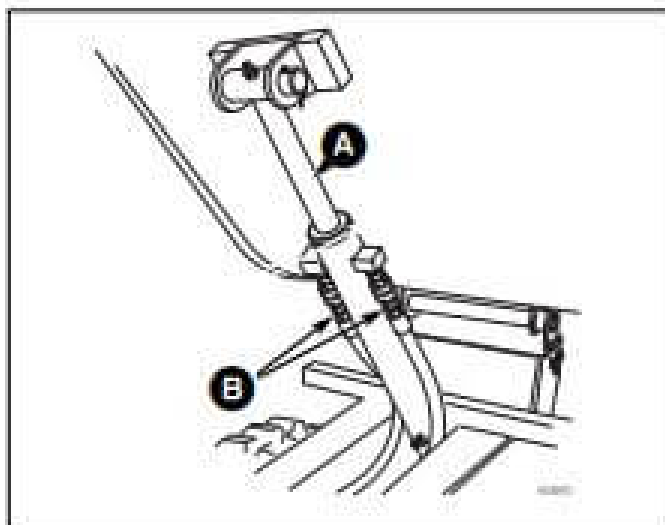
Contents	Page No.
Introduction	1 - 1
Walk Round Inspection	1 - 1
Identifying the Machine	1 - 2
Engine and Track Controls	2 - 1
Track Controls	2 - 2
Before starting the engine	2 - 3
Starting the engine	2 - 4
Stopping the engine	2 - 5
Refuelling the machine	3 - 1
Using Attachments and Site Safety	4 - 1
Working on slopes	4 - 2
Getting the machine moving	5 - 1
TD7/TD10	
Operating the hydraulic dumper skip	6 - 1
Uninstalling the dumper skip	6 - 2
Installing the dumper skip	6 - 3
Shovel Loader	7 - 1
Installing the shovel loader	7 - 2
Connecting to the hydraulic system	7 - 3
Using the shovel loader	7 - 3
* High Lift Shovel Loader	8 - 1
Using the high lift	8 - 1
Using the high lift warning device	8 - 1
Extending the undercarriage	8 - 2
Transporting the machine	9 - 1
Storage/Preparation	10 - 1
Troubleshooting	11 - 1

Disconnecting the skip

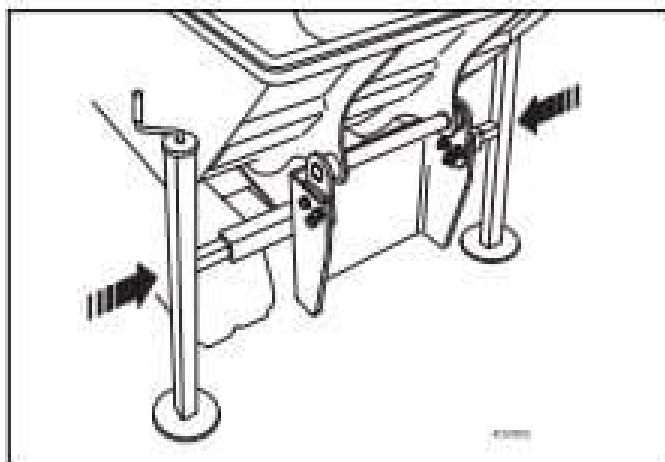
Raise the skip to the tip position and fit a ram stay at A.

Stop the engine

Disconnect the hydraulic hoses from the skip using the quick connections B on the hydraulic ram.



Fit the two supports into the special slots making sure they do not foul the release system.



Unscrew bolt A and drive the machine slowly backwards from the quick release system B until support C can be installed.

⚠ WARNING

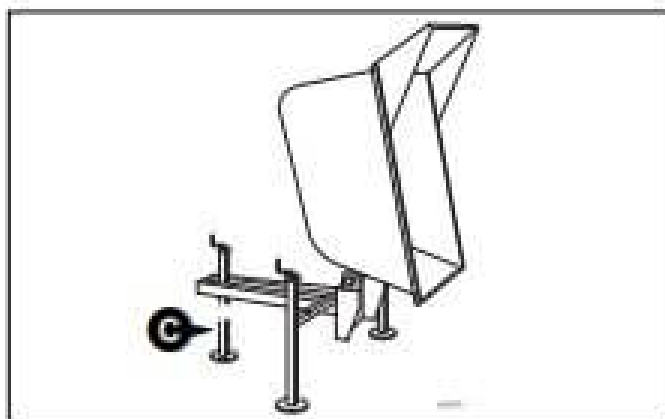
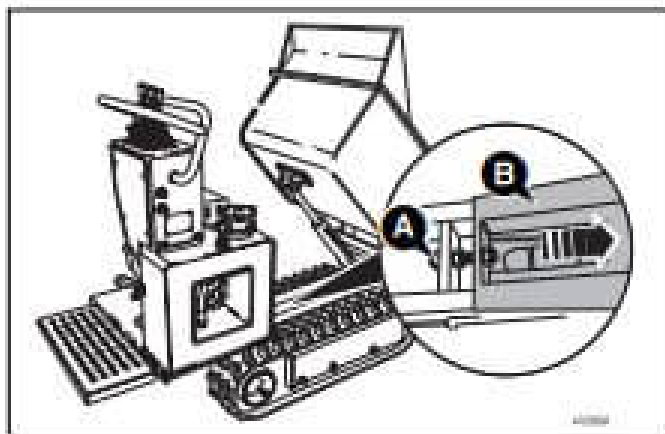
Do not stand on the footplate without an onboard attachment secured to the machine. This will unbalance the machine and result in the machine tipping backwards.

Do not stand on the footplate when a load is being tipped as this will change the centre of gravity and unbalance the machine.

⚠ WARNING

Do not operate the controls from the side of the machine, when operating the machine, stand behind the controls at all times.

When all three supports are in place, reverse the machine clear of the skip.





Thank you very much
for your reading.
Please click here
to get more information.