

JCB VMD70/100 Roller Service Repair Manual



8014, 8016, 8018

[Section 1 - General Information](#)

[Section 2 - Care and Safety](#)

[Section 3 - Maintenance](#)

[Section A - Attachments](#)

[Section B - Body and Framework](#)

[Section C - Electrics](#)

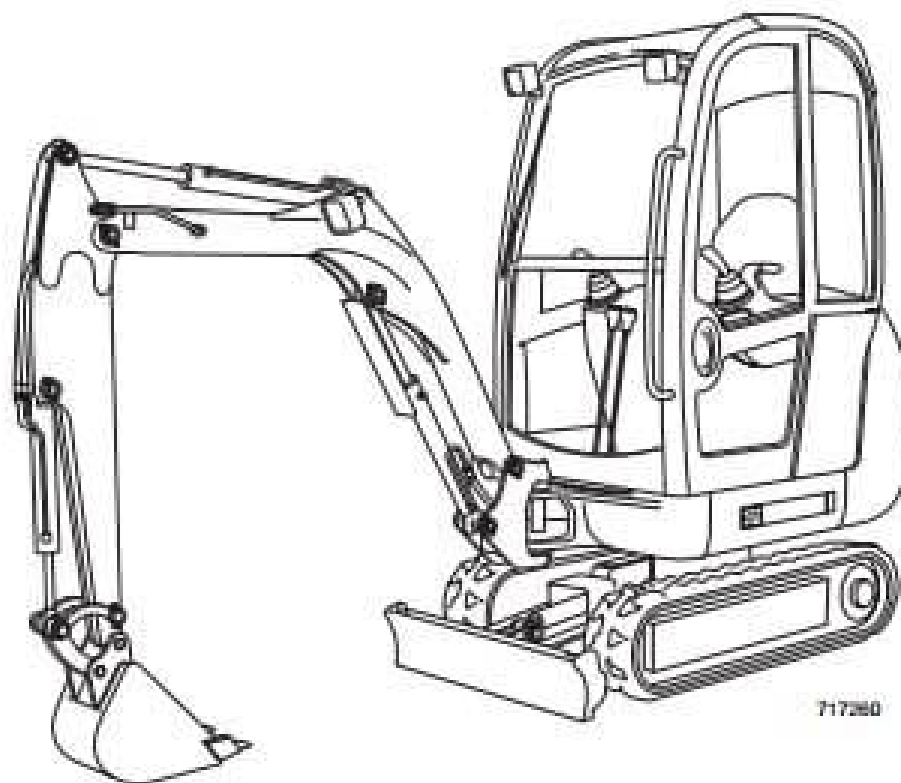
[Section D - Controls](#)

[Section E - Hydraulics](#)

[Section F - Gearboxes](#)

[Section J - Track and Running Gear](#)

[Section K - Engine](#)



Publication No.
9803/9350-3



Copyright © 2007 JCB SERVICES. All rights reserved. No part of this publication may be reproduced, stored in a retrieval system, or transmitted in any form or by any other means, electronic, mechanical, photocopying or otherwise, without prior permission from JCB SERVICES.

Issued by JCB Technical Publications, JCB Aftercare Training, Woodhead, Rossley, Befferton, S711 8RN, England. Tel: +44 1858 991200 Fax: +44 1858 991020

World Class
Customer Support

Greasing - 446 and 456 to 1169000

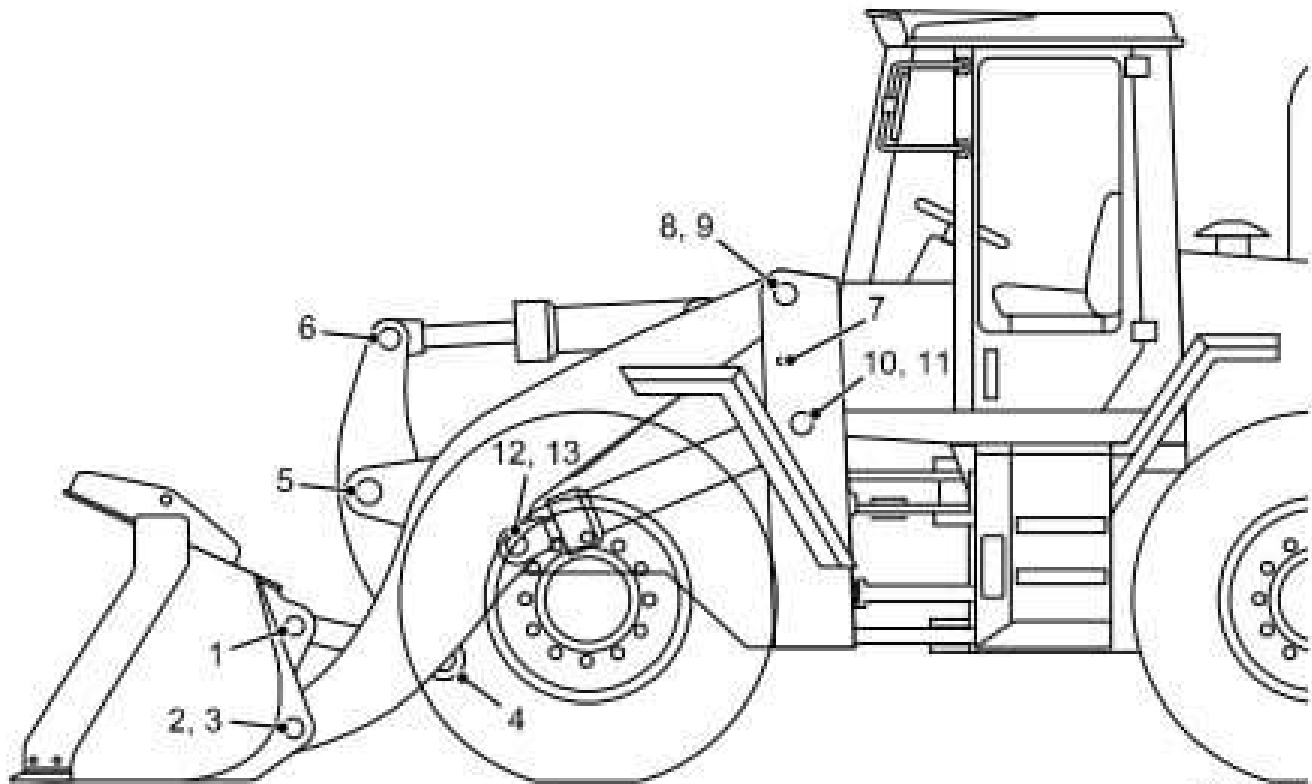
Shovel Pivot Pins

Total of 3 grease points. (1 to 3)

Loader Arm Pivot Points

Total of 10 grease points (4 to 13)

For interval [↩ Service Schedules \(D 3-7\)](#)



A262770-V1

Fig 9.

Cleaning the Intake Filter (Later Machines)

CAUTION

The filter may be filled with dust. Wear goggles and a face mask when removing the filter.

2-3-34

- 1 Park the machine on level ground. Engage the park brake. Put the transmission in neutral. Lower the attachments to the ground. Stop the engine. Remove the starter key.
- 2 To gain access to the cab heater air filter A, unlock B, open panel C.
- 3 Open fasteners at D, remove plate E, remove the filter, shake out the loose dust and clean using low pressure compressed air. Renew the filter if damaged.
- 4 Refit filter A and plate E, close panel C and lock B.

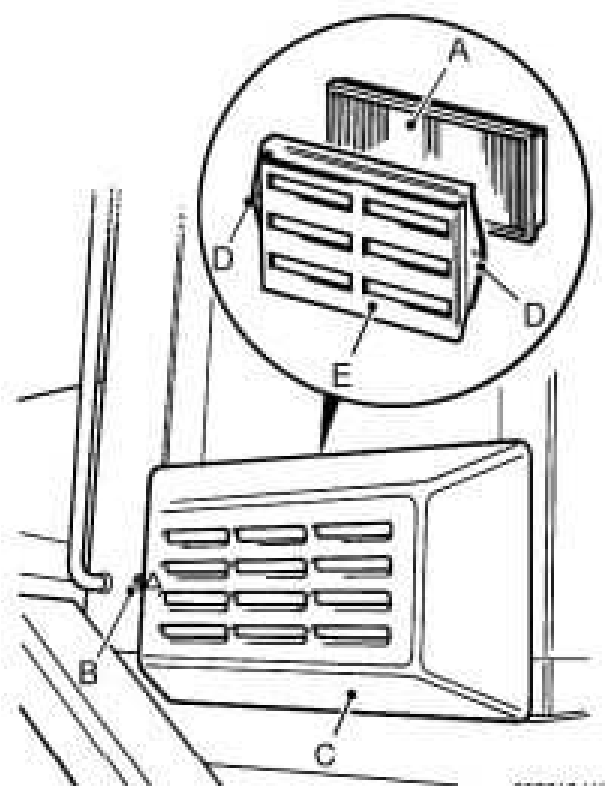


Fig 36.

297610-V1

Cleaning the Recirculation Filters to 539249

CAUTION

The filter may be filled with dust. Wear goggles and a face mask when removing the filter.

2-3-34

- 1 Park the machine on level ground. Engage the park brake. Put the transmission in neutral. Lower the attachments to the ground. Stop the engine. Remove the starter key.
- 2 To gain access to the cab recirculation air filters F, turn fasteners G one quarter turn anti-clockwise and remove grille H.
- 3 Remove the filters F, shake out the loose dust and clean using low pressure compressed air. Renew the filter if damaged.
- 4 Refit filters F and grille H, push in and turn fasteners G one quarter turn clockwise. Make sure that the grille is secure.

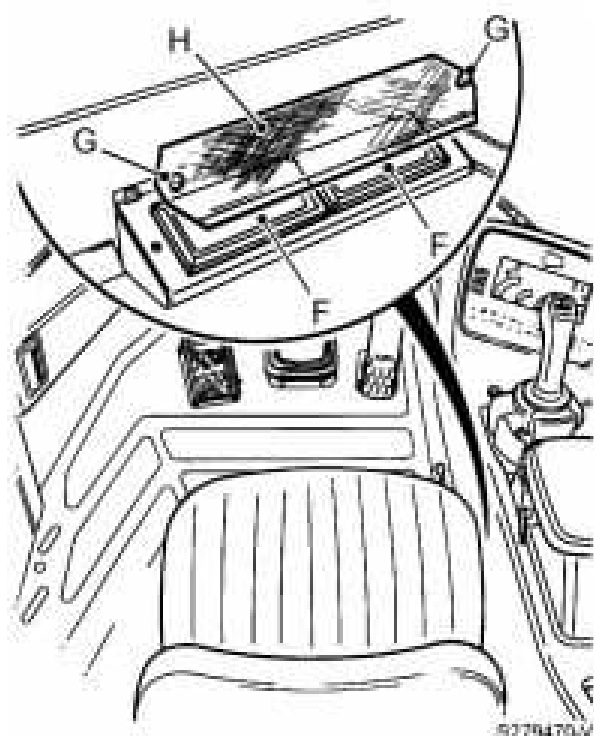


Fig 37.

5279470-V1



Thank you very much
for your reading.
Please click here
to get more information.