

All rights reserved by **CNH Industrial**.

The information contained in this catalogue is intended to be of a general nature only. **CNH Industrial** may at any time and from time to time, for technical or other necessary reasons, modify any of the details or specifications of the product described in this catalogue.

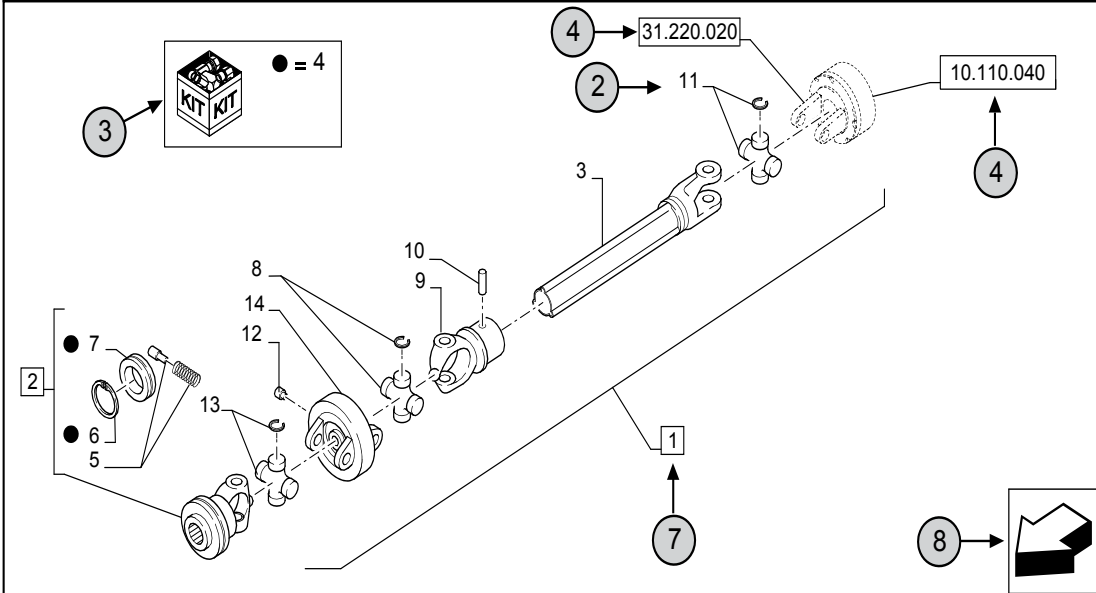
To be sure of getting accurate, detailed and up-to-date information, an intending buyer should consult his nearest **CNH Industrial** dealer or distributor.

Single item numeration method used in this catalogue may not be used without written consent from **CNH Industrial**



31.220.010	01	p1	10/2014
------------	----	----	---------

VAR - 123782, 789101,987654 - PTO - D650



STANDARD ← (6)


(23)	(9)	(10)	31.220.010	01	p1	10/2014
------	-----	------	------------	----	----	---------

VAR - 123782, 789101,987654 - PTO - D650

(11) (12) (13) (14)

REF	FN	PART NUMBER	YR/SN	QTY	DESCRIPTION
1	1	86529340	(20)	1	SHAFT PTO, Incl 2 - 11
2	(15)	84014007		1	YOKE, Incl 4 - 7 ← (7)
3	(16)	NSS		1	NOT SERVICED SEPARATELY, SHAFT, 350mm, Incl in 1
4		84004292		1	KIT, Seal Kit, Incl 6, 7 (17)
4		{84058743}		1	KIT, Seal Kit, Incl 6, 7
(2)	(18)	(19)		(21)	(22)
		1 = FOR ITALY ONLY ← (5)			

MODELS ← (1)

- 1 Model Number and Model Description
- 2 Reference - Figure call-out of the part number.
- 3 Parts supplied in repair kits per symbol reference.
- 4 31.220.020 Part illustrated on the **Page** or in the **Figure** indicated, or calls for **Variations** or **Details**. Indicates components shown in detail elsewhere in the catalogue under the figure number shown.
- 5 Footnote references
- 6 Figure notes
- 7 1 2 Includes item(s) ..... (See Description within partlist).
- 8 Orientation. (Arrow indicates front of the machine). 
- 9 Figure description.
- 10 General information of the figure.
- 11 Figure title number that aligns with the SRT. Standard Repair Time.
- 12 **Sequence** code within the assembly.
- 13 Page number within the sequence code.
- 14 **Date** of printing or updating of page (month-year).
- 15 **Note** - Relating to the Part Number. There is a key to symbols and abbreviations at the bottom of the text page.
- 16 Non-serviced parts.
- 17 Further description of the part to help confirm identification.
- 18 Not available as service part.
- 19 Part Number.
- 20 To be defined.
- 21 Total **Quantity** of the Part referred to in the page.  
The quantity can be replaced by the following indications:  
**AR** = quantity as requested.
- 22 Part **Description**.
- 23 Variant Codes

---

## TABLE OF CONTENTS

---

00.500.01		DIA
05.100.01		INITIAL STOCKING LIST (ISL)
05.100.03	01	FILTERS
05.100.03	01	FILTERS & CAPACITIES, L190 III
05.100.03	01	FILTERS C190 III
05.100.03	02	CAPACITIES
05.100.03	02	CAPACITIES C190 ASN
10.001.01		ENGINE MOUNTING
10.001.01	03	ENGINE - LIFT HOOK
10.001.02		CYLINDER BLOCK
10.001.04		CYLINDER BLOCK STIFFENER PLATE
10.101.01	01	CYLINDER HEAD
10.101.01	02	CYLINDER HEAD COVERS
10.101.16		BREATHER - ENGINE
10.102.01		OIL PUMP, OIL PAN
10.102.02	01	GEAR COVER - PLATE
10.102.02	02	CYLINDER BLOCK - COVERS, REAR GEAR
10.102.02	03	CYLINDER BLOCK - COVERS, FLYWHEEL
10.102.02	04	CYLINDER BLOCK - COVERS, FRONT
10.102.03		ENGINE OIL
10.103.01		CRANKSHAFT
10.103.02		FLYWHEEL - ENGINE
10.103.04		PULLEY - CRANKSHAFT
10.105.02	01	PISTONS - CONNECTING ROD
10.105.02	02	CONNECTING ROD
10.106.01		CAMSHAFT
10.106.05		ROCKER SHAFT
10.202.01	01	AIR CLEANER - ENGINE, TIER 3, 01-JAN-2008 AND AFTER
10.202.01	02	AIR CLEANER - ENGINE
10.206.03	01	FUEL FILTER
10.206.03	02	KIT, FUEL SYSTEM - INLINE FUEL FILTER
10.210.01		FUEL PUMP
10.214.01	01	FUEL INJECTION PUMP
10.214.01	02	INJECTION PUMP - CONTROL
10.216.01	01	FUEL TANK
10.216.01	02	FUEL TANK - FUEL SHUT-OFF VALVE



Thank you very much  
for your reading.  
Please click here  
to get more information.