

John Deere C140, C160, and C180 Mounted Cannon Sprayer Technical Manual - TM154819

**C140, C160, and C180
Mounted Cannon
Sprayer**



JOHN HARE



COLLECTION

TECHNICAL MANUAL

C140, C160, and C180 Mounted Cannon Sprayer

TM154819 01DEC18 (ENGLISH)



John Deere Fabriek Horst B.V

Covers: C140,C160,C180

Type: Service Manual

Language: English

Pages: 150

Format: PDF

Features: Bookmarked, searchable, printable

Compatibility: Windows/Mac/Tablet/Mobile

This service manual contains important information for the maintenance, troubleshooting and servicing of the **John Deere C140, C160, and C180 Mounted Cannon Sprayer Technical Manual - TM154819**

In this manual you will find detailed specifications, illustrations, schematics, diagrams and step-by-step procedures to properly service and diagnose the machine to the manufacturer's standards.

Contents:

- General Information
- Specifications
- Serial Number Location
- Engine Specifications
- Engine Diagnostics
- Engine Tests and Adjustments
- Engine Repair
- Power Train
- Transmission
- Axles
- Differential
- PTO
- Hydraulic System
- Electrical System
- Electrical Tests and Diagnostics
- Wiring Diagram / Schematic
- Ignition and Charging
- Steering
- Brakes
- Wheels
- Operator's Platform
- Body Panels
- Disassembly and Assembly
- Diagnostics, Tests and Adjustments
- Troubleshooting
- and much more...

Please note this manual is in **downloadable PDF format only**. If you have any questions about this product or would like to request sample pages, please contact us and reference the product name or SKU.

Disassemble and Assemble Pressure Regulating Valve



CAUTION:

Hoses can contain liquid with crop protection chemicals. Wear the appropriate personal protective equipment. Catch and dispose of any escaping liquid properly.

1. Clean the exterior surfaces of the pressure regulating valve and surrounding area.



WZ290911310-UN: Pressure Regulating Valve

LEGEND:

- A-Upper Body**
- B-Intermediate Body**
- C-Lower Body**

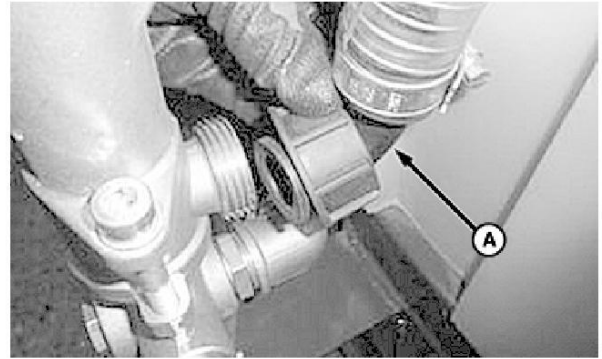
2. Identify the upper body (A), intermediate body (B), and lower body (C) of the valve for reference.

3. NOTE:

Some repairs can be performed without valve removal.

Remove valve as needed. (See [Remove and Install Pressure Regulating Valve](#) in Section 140, Group 05.)

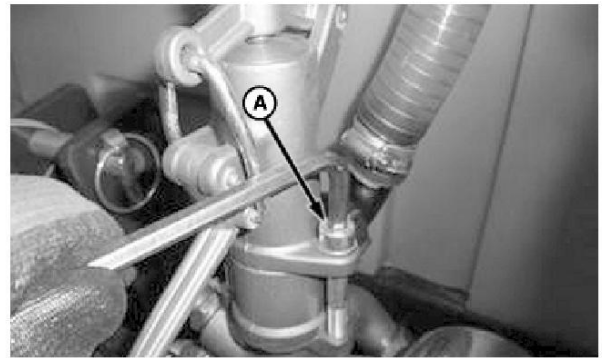
4. Disconnect the return hose (A) from the back of the intermediate body.



WZ290911303-UN: Return Hose

LEGEND:

- A-Return Hose**

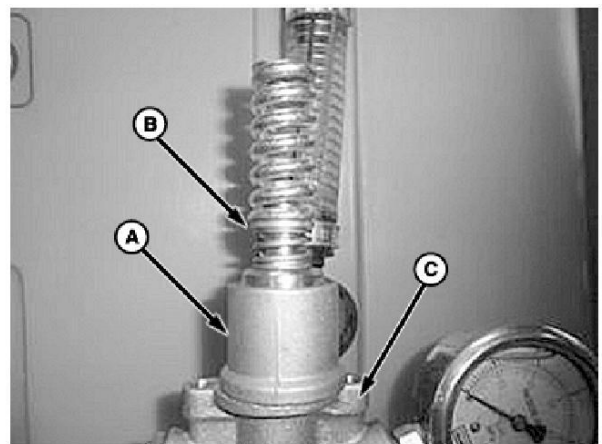


5. WZ290911304-UN: Socket Head Cap Screws

LEGEND:

- A-Socket Head Cap Screw (2 used)**

Remove the socket head cap screws (A) and separate the valve bodies.



6. WZ290911306-UN: Spring Assembly

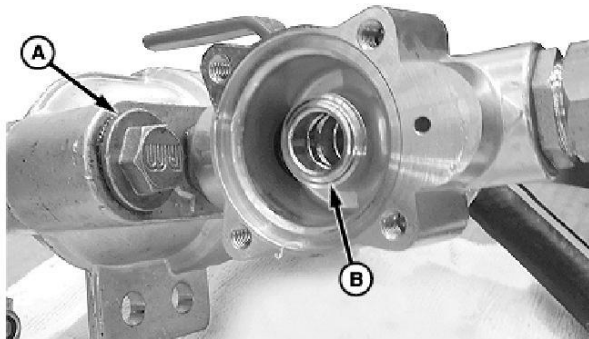
LEGEND:

- A-Intermediate Body**
- B-Pressure Spring**
- C-Lower Body**

Remove the pressure spring (B) from the intermediate body (A) and the intermediate body from the lower body (C) to reveal the lower intermediate body components.

10. NOTE:

It is not necessary to remove the plug (A).



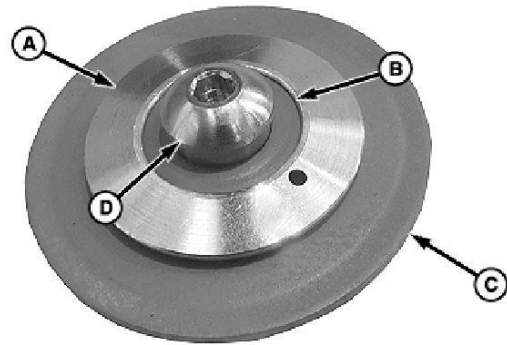
WZ290911042-UN: Valve Seat

LEGEND:

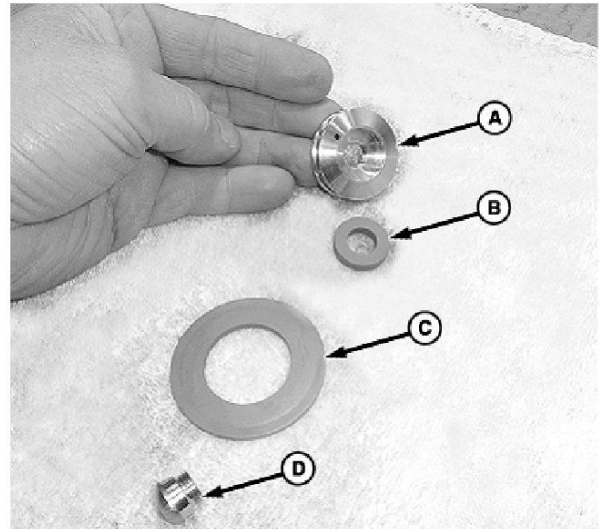
A-Plug

B-Valve Seat

Inspect valve seat (B) and replace as necessary.



11. WZ290911040-UN: Diaphragm Assembly



WZ290911041-UN: Diaphragm Assembly

LEGEND:

A-Disk

B-Seal

C-Diaphragm

D-Special Screw

Remove diaphragm (C) from the groove in disk (A).

12. Remove special screw (D) and seal (B).
13. Replace parts as needed.
14. Assemble valve in reverse order using the following special instructions:

Lubricate O-rings and seals with a light coat of petroleum jelly.

If removed, install valve. (See [Remove and Install Spray Control Valve](#) in Section 140, Group 05.)

PW66162,0002438-19-20180405



Thank you very much
for your reading.
Please click here
to get more information.