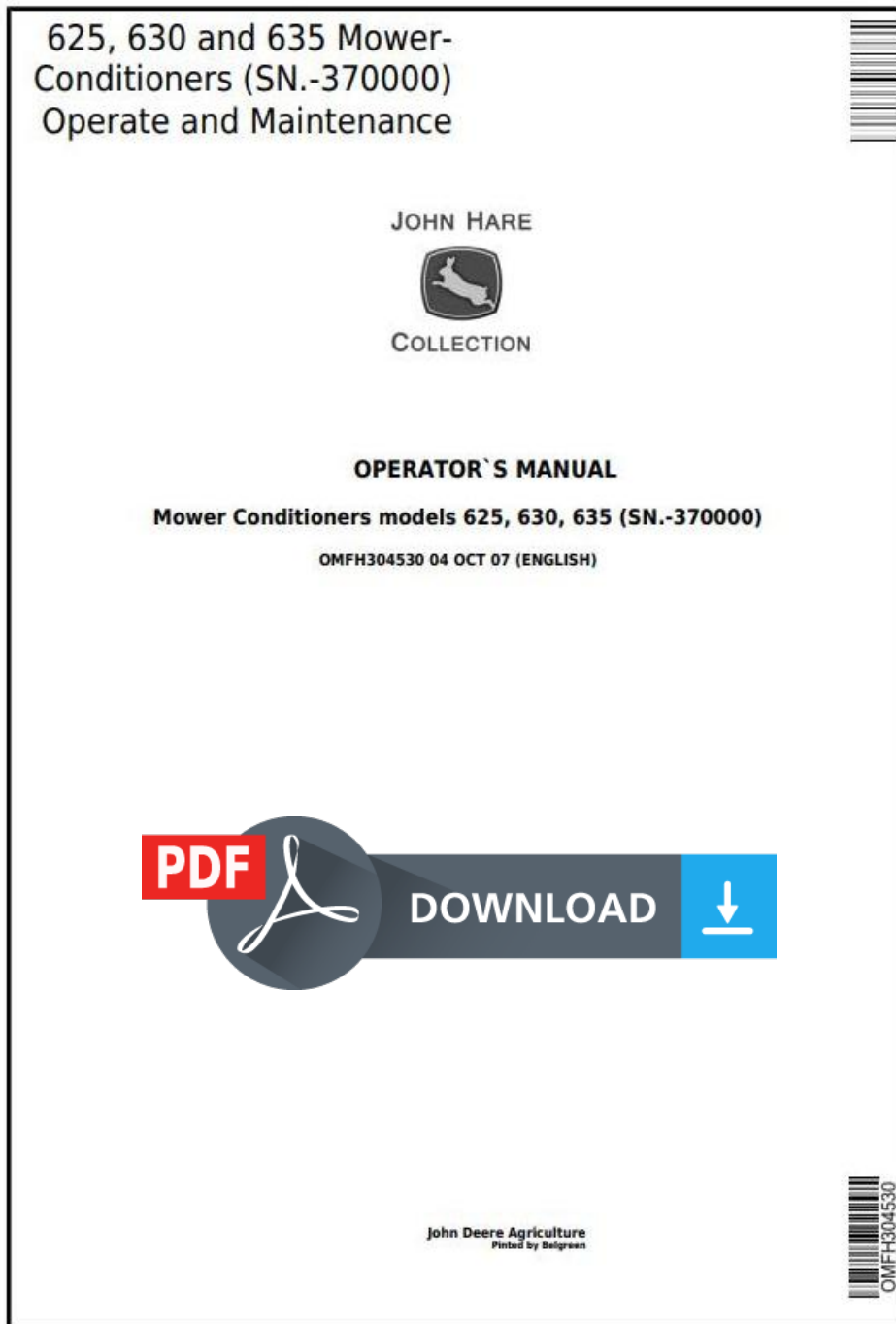


John Deere 625, 630, 635 Mower-Conditioners (SN.-370000) Operate and Maintenance Manual (OMFH304530)



Covers: (SN.-370000);,625,630,635

Type: Service Manual

Language: English

Pages: 157

Format: PDF

Features: Bookmarked, searchable, printable

Compatibility: Windows/Mac/Tablet/Mobile

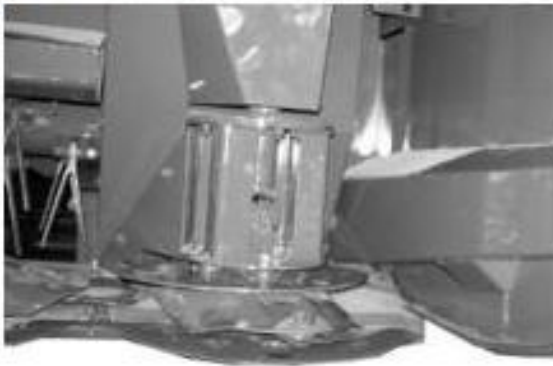
This service manual contains important information for the maintenance, troubleshooting and servicing of the **John Deere 625, 630, 635 Mower-Conditioners (SN.-370000) Operate and Maintenance Manual (OMFH304530)**

In this manual you will find detailed specifications, illustrations, schematics, diagrams and step-by-step procedures to properly service and diagnose the machine to the manufacturer's standards.

Contents:

- General Information
- Specifications
- Serial Number Location
- Engine Specifications
- Engine Diagnostics
- Engine Tests and Adjustments
- Engine Repair
- Power Train
- Transmission
- Axles
- Differential
- PTO
- Hydraulic System
- Electrical System
- Electrical Tests and Diagnostics
- Wiring Diagram / Schematic
- Ignition and Charging
- Steering
- Brakes
- Wheels
- Operator's Platform
- Body Panels
- Disassembly and Assembly
- Diagnostics, Tests and Adjustments
- Troubleshooting
- and much more...

Please note this manual is in **downloadable PDF format only**. If you have any questions about this product or would like to request sample pages, please contact us and reference the product name or SKU.



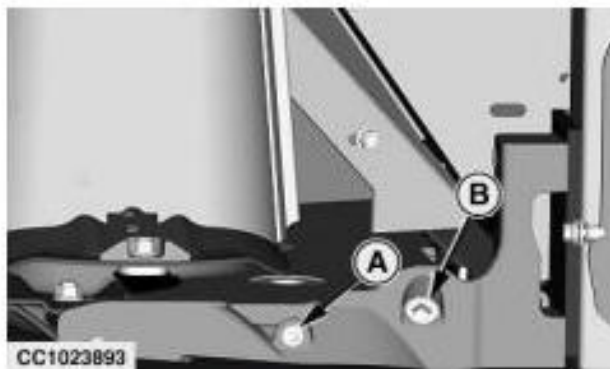
Cutterbar

Change oil in cutterbar after the first 50 hours of use (see "Every 200 Hours or Yearly - Draining and Refilling Cutterbar" in this Section).

Every 50 Hours - Checking Cutterbar Oil Level

IMPORTANT:

Too much oil in cutterbar will cause overheating and machine damage.



LEGEND:

A	Check Plug
B	Refill Plug
C	Cylinder Lock

Check Cutterbar Oil Level



Cylinder Lock

Use check plug (A) at **BOTH ENDS** of cutterbar to check oil level.

- [1] - Park mower-conditioner on level ground.
- [2] - Raise mower-conditioner and engage cylinder lock (C).
- [3] -

→NOTE:

Cutterbar tilt does not matter due to location of check plug.

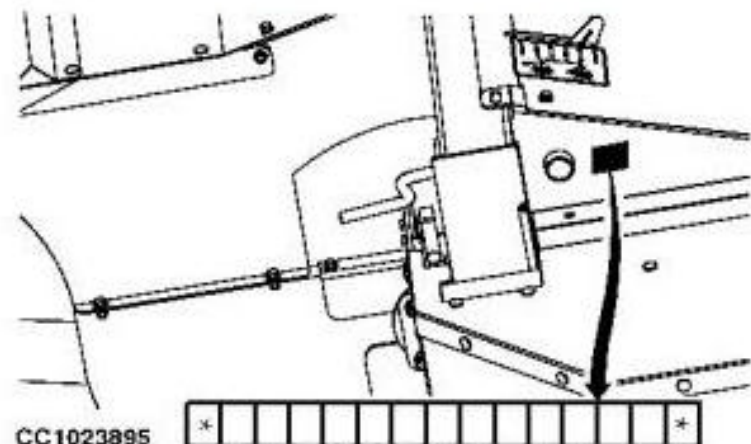
Serial Number Plate

The serial number identifying the mower-conditioner is stamped on factory serial number plate.

These numbers and letters are required when ordering mower-conditioner or attachment replacement parts.

To ensure that you have these numbers at hand, enter the appropriate serial numbers in the spaces provided in each illustration.

Mower-Conditioner Serial Number Record



Serial Number Record

The product identification number is located on the right-hand side of the mower-conditioner.

Keep Proof of Ownership



Product Identification Number

1. Maintain in a secure location an up-to-date inventory of all product and component serial numbers.
2. Regularly verify that identification plates have not been removed. Report any evidence of tampering to law enforcement agencies and order duplicate plates.
3. Other steps you can take:
 - Mark your machine with your own numbering system
 - Take color photographs from several angles of each machine

Keep Machines Secure



Thank you very much
for your reading.
Please click here
to get more information.