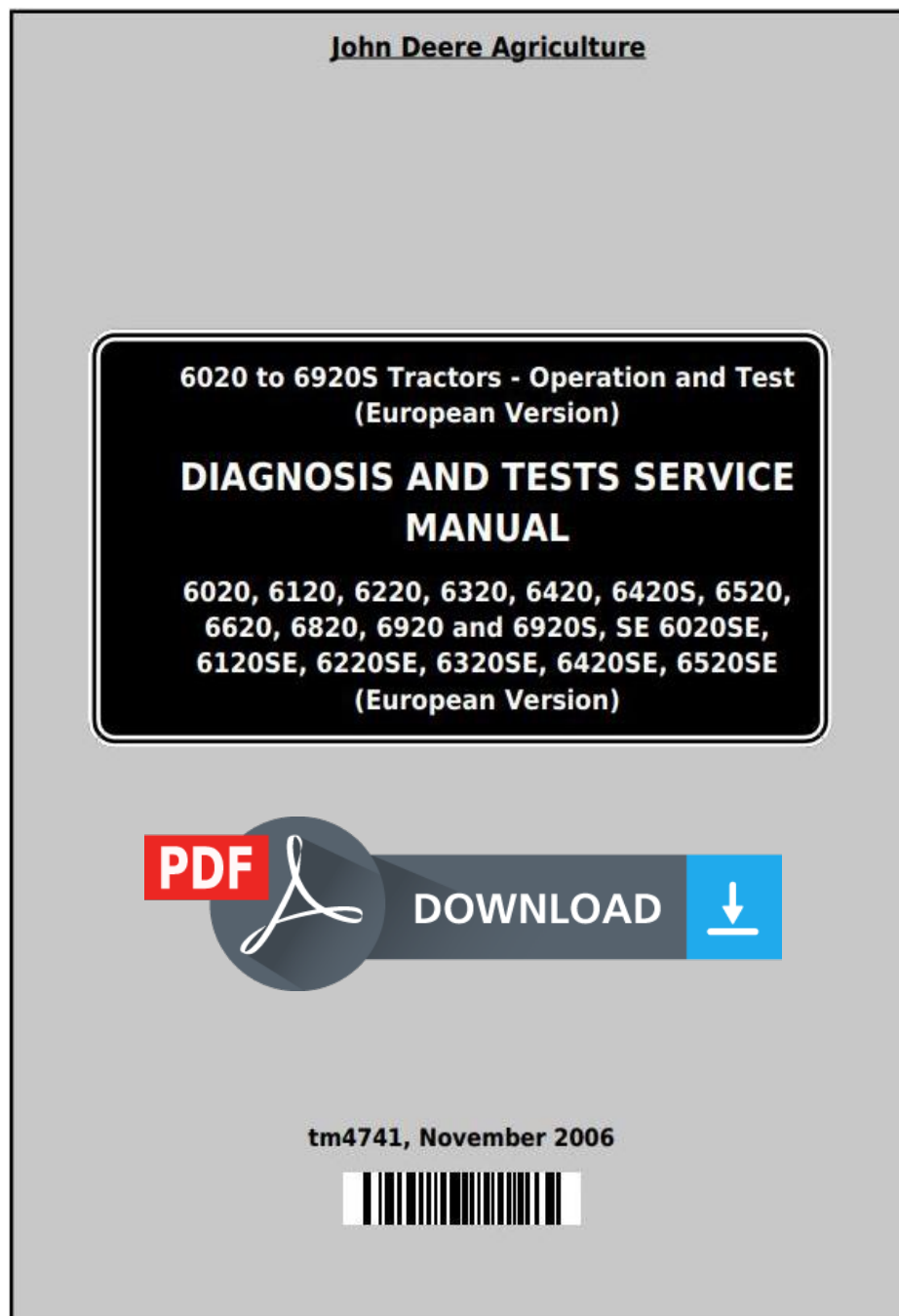


John Deere Tractors 6020, 6120, 6220, 6320, 6420, 6520, 6620, 6820, 6920 (S,SE) Diagnostic Manual TM4741



Covers: 6020,6020SE,6120,6120SE,6220,6220SE,6320,6320SE,6420,64

Type: Service Manual

Language: English

Pages: 6100

Format: PDF

Features: Bookmarked, searchable, printable

Compatibility: Windows/Mac/Tablet/Mobile

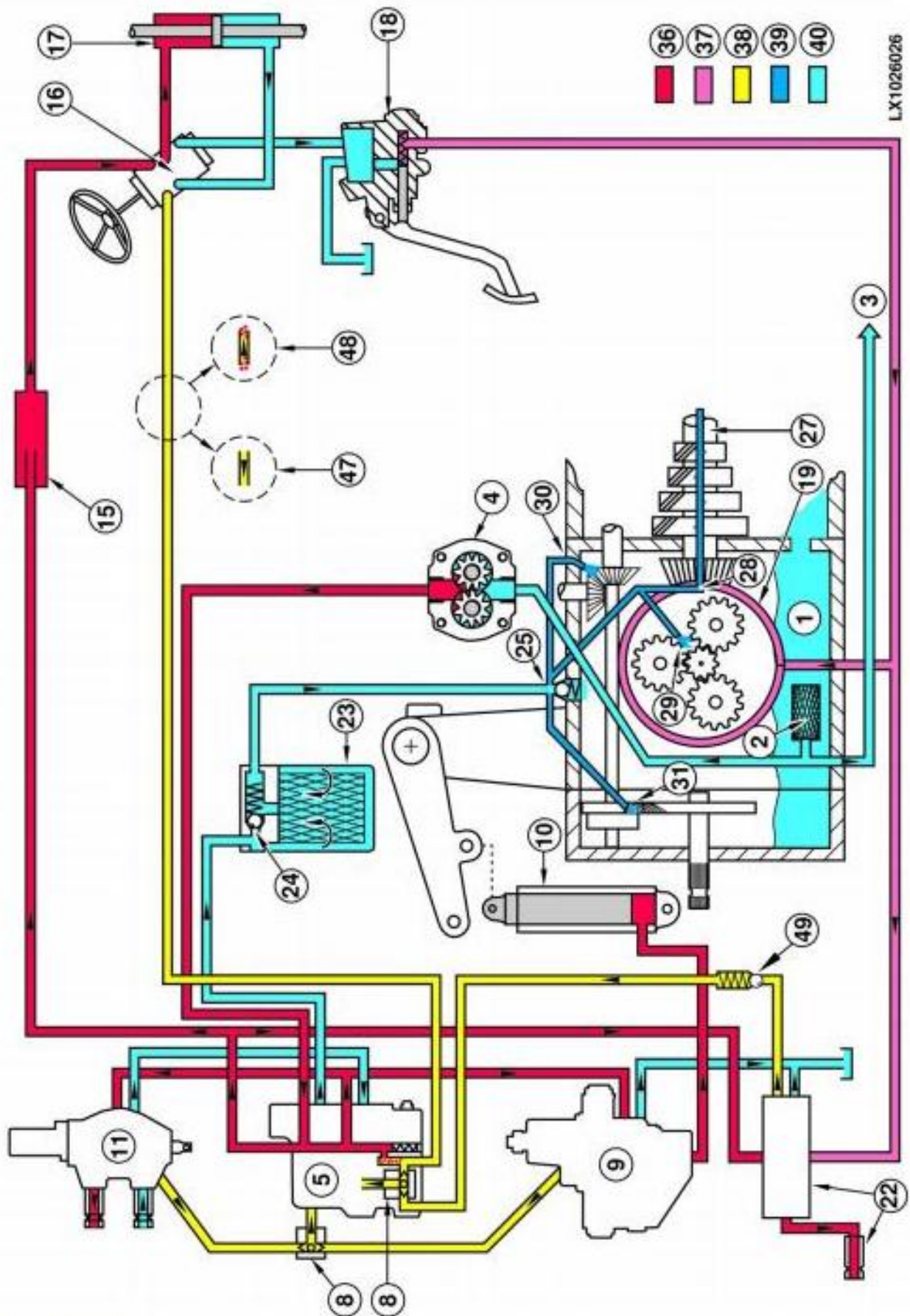
This service manual contains important information for the maintenance, troubleshooting and servicing of the **John Deere Tractors 6020, 6120, 6220, 6320, 6420, 6520, 6620, 6820, 6920 (S,SE) Diagnostic Manual TM4741**

In this manual you will find detailed specifications, illustrations, schematics, diagrams and step-by-step procedures to properly service and diagnose the machine to the manufacturer's standards.

Contents:

- General Information
- Specifications
- Serial Number Location
- Engine Specifications
- Engine Diagnostics
- Engine Tests and Adjustments
- Engine Repair
- Power Train
- Transmission
- Axles
- Differential
- PTO
- Hydraulic System
- Electrical System
- Electrical Tests and Diagnostics
- Wiring Diagram / Schematic
- Ignition and Charging
- Steering
- Brakes
- Wheels
- Operator's Platform
- Body Panels
- Disassembly and Assembly
- Diagnostics, Tests and Adjustments
- Troubleshooting
- and much more...

Please note this manual is in **downloadable PDF format only**. If you have any questions about this product or would like to request sample pages, please contact us and reference the product name or SKU.

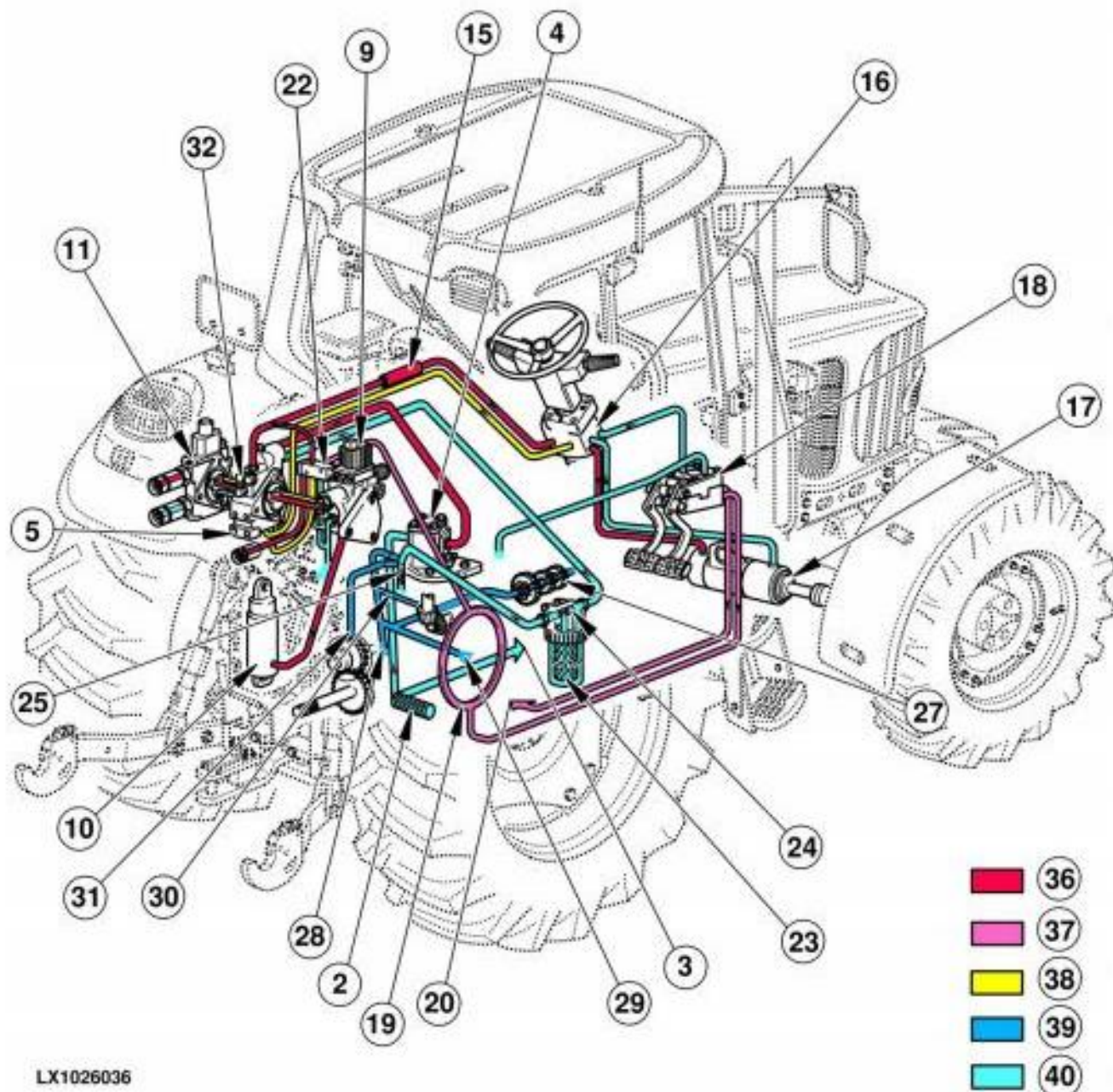


LX1026026

LEGEND:

- 1 Sump (Differential Housing)

Reference 270-20-100, PC Hydraulic System-Three-Dimensional View



LX1026036

LEGEND:

- 2 Primary Filter
- 3 To Transmission Oil Circuit
- 4 Hydraulic Pump
- 5 Main Block with Bypass Valve and Priority Valve
- 9 Rockshaft Valve
- 10 Lift Cylinder
- 11 SCV with Couplers
- 15 Silencer
- 16 Steering Unit
- 17 Steering Cylinder



Thank you very much
for your reading.
Please click here
to get more information.