

1996-2003 Kawasaki Ninja ZX-7R, Ninja ZX7RR Motorcycle Service Repair Workshop Manual





Kawasaki

Ninja ZX-7RR
Ninja ZX-7R

Motorcycle
Service Manual

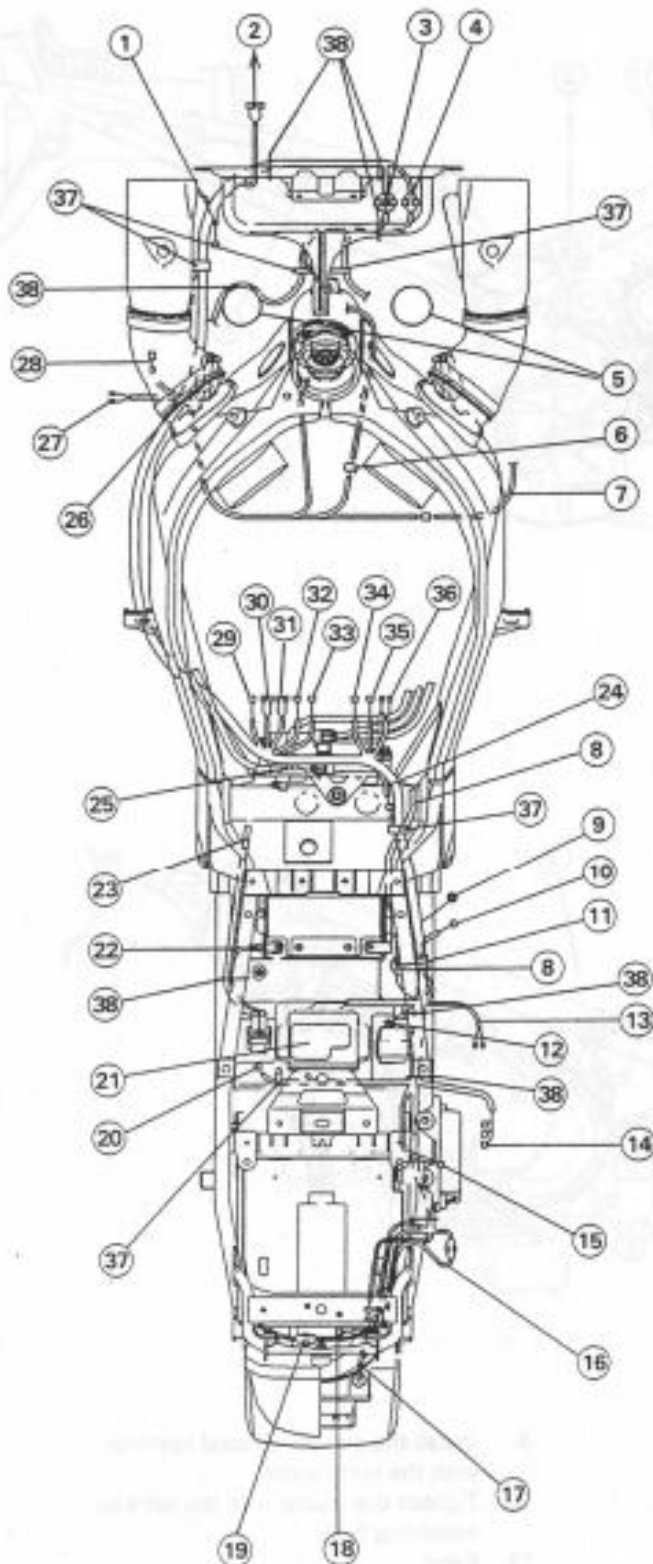
Read OWNER'S MANUAL before operating.

Quick Reference Guide

General Information	1
Fuel System	2
Cooling System	3
Engine Top End	4
Clutch	5
Engine Lubrication System	6
Engine Removal/Installation	7
Crankshaft/Transmission	8
Wheels/Tires	9
Final Drive	10
Brakes	11
Suspension	12
Steering	13
Frame	14
Electrical System	15
Appendix	16

This quick reference guide will assist you in locating a desired topic or procedure.

- Bend the pages back to match the black tab of the desired chapter number with the black tab on the edge at each table of contents page.
- Refer to the sectional table of contents for the exact pages to locate the specific topic required.



1. Front Sub Harness
2. Meter Unit
3. Left Handlebar Switch
4. Right Handlebar Switch
5. Front Fork
6. Ignition Switch Lead
7. Water Temperature Sensor Lead
8. Battery Ground (-) Lead
9. Chassis Ground Lead
10. Rear Brake Light Switch Lead
11. Band (Rubber Protector on the Harness)
12. Fuel Pump Relay Lead
13. Accessory Leads
14. IC Igniter Connectors
15. Turn Signal Relay
16. Rear Right Turn Signal Light Lead
17. License Plate Light Lead
18. Tail/Brake Lights Lead
19. Rear Left Turn Signal Light Lead
20. Starter Relay Lead
21. Junction Box
22. Battery Positive (+) Lead
23. Starter Motor Lead
24. Fuel Pump Lead
25. Insert the harness clamp into the hole in the ignition coil bracket.
26. Insert the harness clamp into the hole in the radiator bracket.
27. Radiator Fan Switch Leads
28. Fan Motor Lead
29. Neutral Switch
30. Side Stand Switch
31. #2, #3 Ignition Coil
32. Alternator
33. Solenoid Valve (ZX750N)
34. Throttle Switch (ZX750N)
35. Pickup Coil
36. #1, #4 Ignition Coil
37. Clamp
38. Band

1996-2003 Kawasaki Ninja ZX-7R,Ninja ZX7RR Motorcycle Service Repair Workshop Manual

Instant download 1996-2003 Kawasaki Ninja ZX-7R,Ninja ZX7RR Motorcycle Service Repair Workshop Manual. This manual content all service, repair, maintenance, troubleshooting procedures for Kawasaki Motorcycle Machine.

All major topics are covered step-by-step instruction, diagrams, illustration, wiring schematic, and specifications to repair and troubleshoot. With this factory service repair manual on hand can easily help you with any repairs that you may need for your Kawasaki Motorcycle Machine.

Machine model :

Ninja ZX-7R,Ninja ZX7RR

Manual Covers:

*General Information

*Fuel System(DFI)

*Cooling System

*Engine Top End

*Clutch

*Engine Lubrication System

*Engine Removal/Installation

*Crankcase/Transmission

*Wheels/Tires

*Final Drive

*Brakes

*Suspension

*Steering

*Frame

*Electric System

*Appendix

AND MORE...SPECIFICATION:

Pages:364

Format: PDF

Language: English

Compatible: Win/MacAll pages are printable, so run off what you need & take it with you into the garage or workshop.

Save money \$\$ by doing your own repairs! It make it easy for any skill level with these very easy to follow, step-by-step instructions!

Instant download means no shipping cost or waiting for a CD to arrive in the mail...you will receive this manual today via instant download on completion of payment via our secure payment processor. We accept all major credit/debit cards/paypal.

Instant download! Thank you for visiting!



Thank you very much
for your reading.
Please click here
to get more information.