

1998-1999 Kawasaki ZX9R Motorcycle Service Repair Workshop Manual



PDF



DOWNLOAD



1-4 GENERAL INFORMATION

Model Identification

ZX900-C1 (US) Left Side View:



ZX900-C1 (US) Right Side View:



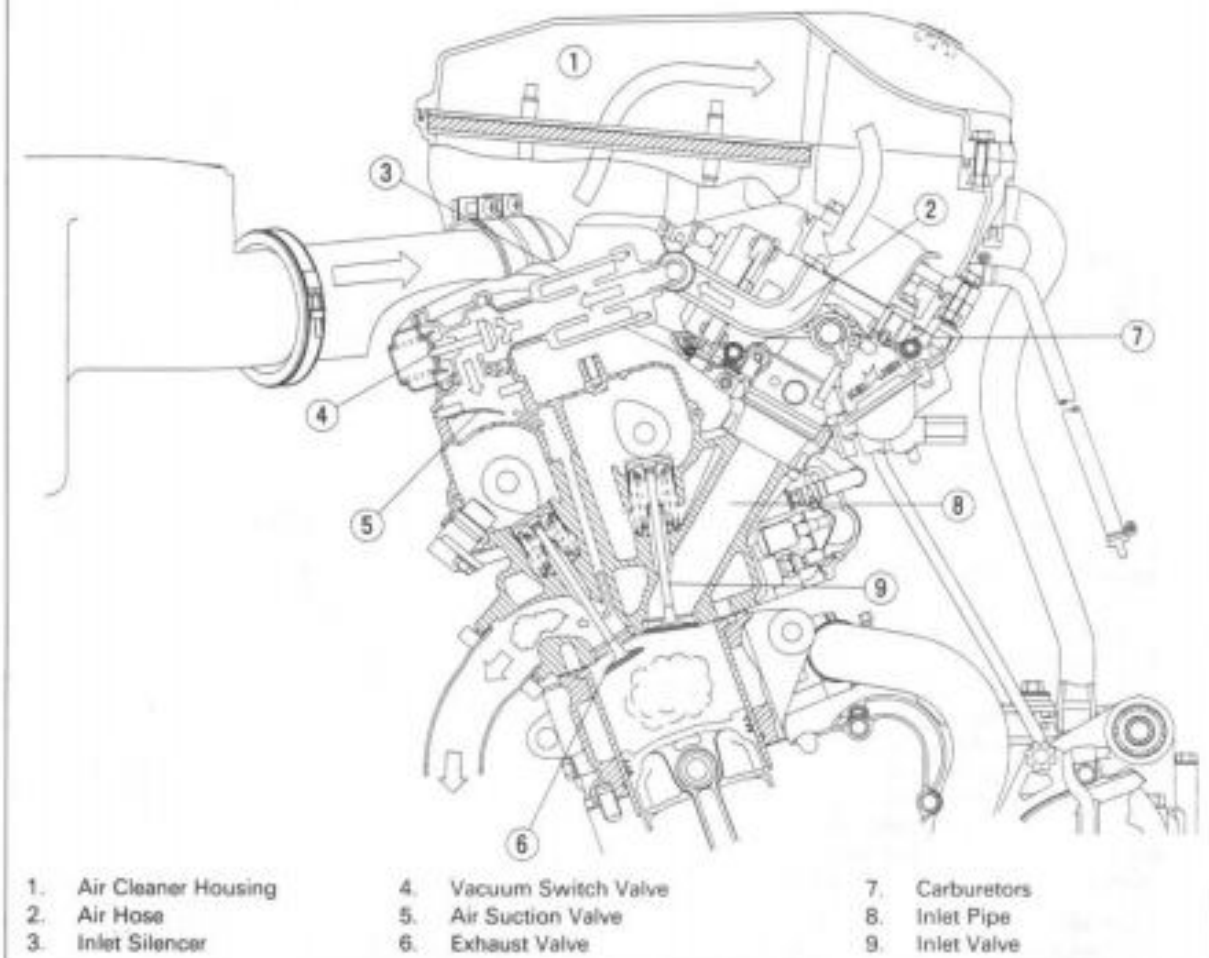
Air Suction Valves

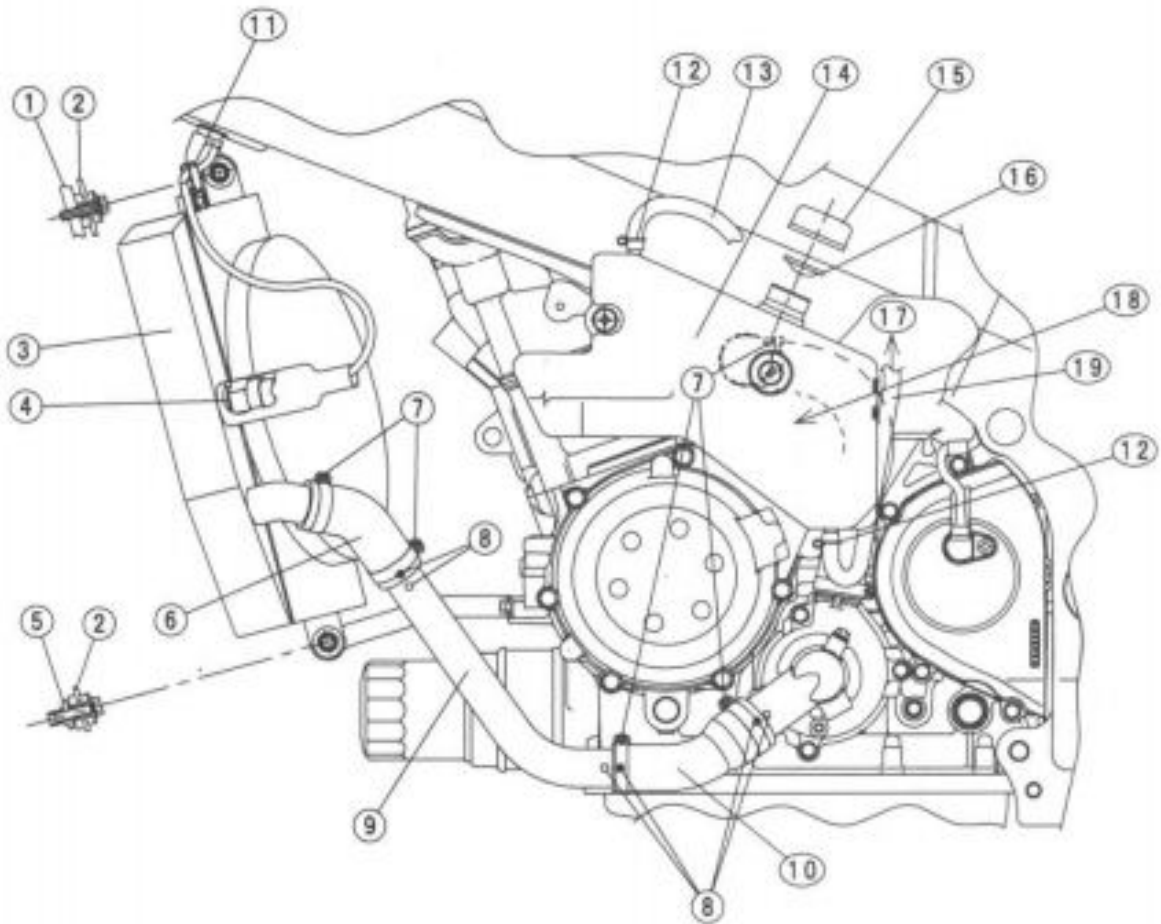
The air suction valve is a check valve which allows fresh air to flow only from the air cleaner via air hoses into the exhaust port and prevents return flow. Remove and inspect the air suction valves periodically (see Engine Top End chapter). Also, remove and inspect the air suction valves whenever the idle speed is unstable, engine power is greatly reduced, or there are abnormal engine noises.

Vacuum Switch Valve

Although the vacuum switch valve usually permits secondary air flow, it closes when a high vacuum (low pressure) is developed at the inlet pipe during engine braking. This is to shut off secondary air flow and prevent explosions in the exhaust ports which might be caused by extra unburned fuel in the exhaust during deceleration. These explosions, or backfiring in the exhaust system could damage the air suction valves.

Regular inspection of the vacuum switch valve is not needed. If backfiring occurs frequently in the exhaust system during engine braking or if there are abnormal engine noises, check the vacuum switch valve as described in the text (see Engine Top End chapter).

Secondary Air Injection System



- | | |
|--|---|
| <ul style="list-style-type: none"> 1. Frame 2. Radiator Bracket Part 3. Radiator 4. Radiator Fan Switch 5. Radiator Mount bracket 6. Coolant Hose 7. Install the clamps shown as illustrated. 8. Align the marks. 9. Coolant Pipe 10. Coolant Hose | <ul style="list-style-type: none"> 11. Clamp (Radiator Fan Switch Lead) 12. Clamp 13. Coolant Reserve Tank Drain Hose 14. Coolant Reserve Tank 15. Reserve Tank Cap 16. Rubber Seal 17. To Radiator Cap Part. 18. Run the alternator lead between the starter motor and coolant hose. 19. Coolant Hose |
|--|---|

1998-1999 Kawasaki ZX9R Motorcycle Service Repair Workshop Manual

Instant download 1998-1999 Kawasaki ZX9R Motorcycle Service Repair Workshop Manual. This manual contains all service, repair, maintenance, troubleshooting procedures for Kawasaki Motorcycle Machine.

All major topics are covered step-by-step instruction, diagrams, illustration, wiring schematic, and specifications to repair and troubleshoot. With this factory service repair manual on hand can easily help you with any repairs that you may need for your Kawasaki Motorcycle Machine.

Machine model :

ZX9R

Manual Covers:

*General Information

*Fuel System(DFI)

*Cooling System

*Engine Top End

*Clutch

*Engine Lubrication System

*Engine Removal/Installation

*Crankcase/Transmission

*Wheels/Tires

*Final Drive

*Brakes

*Suspension

*Steering

*Frame

*Electric System

*Appendix

AND MORE...SPECIFICATION:

Pages:307

Format: PDF

Language: English

Compatible: Win/Mac All pages are printable, so run off what you need & take it with you into the garage or workshop.

Save money \$\$ by doing your own repairs! It makes it easy for any skill level with these very easy to follow, step-by-step instructions!

Instant download means no shipping cost or waiting for a CD to arrive in the mail...you will receive this manual today via instant download on completion of payment via our secure payment processor. We accept all major credit/debit cards/paypal.

Instant download! Thank you for visiting!



Thank you very much
for your reading.
Please click here
to get more information.