

# SHOP MANUAL

## KOMATSU

# WA180-3 (EU SPEC.)

MACHINE **PDF**  **DOWNLOAD**  ER  
WA180-3 (EU SPEC.) 53001 and up

- This shop manual may contain attachments and optional equipment that are not available in your area. Please consult your local Komatsu distributor for those items you may require. Materials and specifications are subject to change without notice.
- WA180-3 (EU SPEC.) mount the S6D102E-1 engine.  
For details of the engine, see the 102 Series Engine Shop Manual.

# CONTENTS

	No. of page
<b>01 GENERAL .....</b>	<b>01-1</b>
<b>10 STRUCTURE AND FUNCTION .....</b>	<b>10-1</b>
<b>20 TESTING AND ADJUSTING .....</b>	<b>20-1</b>
<b>30 DISASSEMBLY AND ASSEMBLY .....</b>	<b>30-1</b>
<b>40 MAINTENANCE STANDARD .....</b>	<b>40-1</b>
<b>90 OTHERS .....</b>	<b>90-1</b>

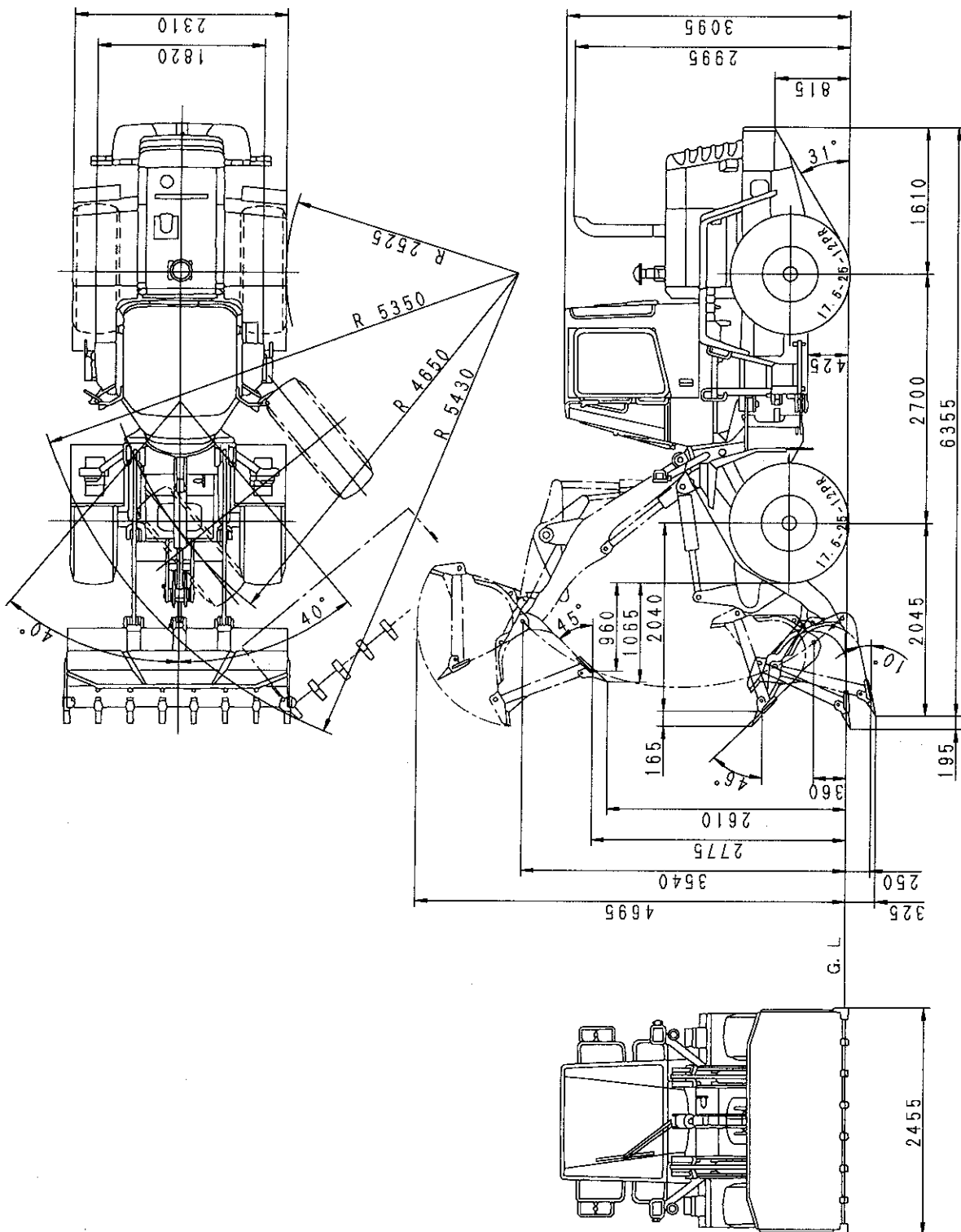
---

# **01 GENERAL**

---

General assembly drawing .....	01- 2
Specifications.....	01- 3
Weight table .....	01- 6
List of lubricant and water .....	01- 7

# GENERAL ASSEMBLY DRAWING



SWW02943

※ The diagram shows the values for the machine with ROPS cab.

## SPECIFICATIONS

Machine model		WA180-3D		
Serial No.		53001 and up		
Weight	Operating weight (kg)	8,900		
	Distribution (front) (kg)	3,550		
	Distribution (rear) (kg)	5,350		
Performance	Bucket capacity (piled) (with bolt-on teeth) (m <sup>3</sup> )	1.6		
	Rated load (N {kg})	26,674 {2,720}		
	Travel speed	FORWARD 1st (km/h)	7.2	
		FORWARD 2nd (km/h)	12.0	
		FORWARD 3rd (km/h)	22.0	
		FORWARD 4th (km/h)	34.5	
		REVERSE 1st (km/h)	7.7	
		REVERSE 2nd (km/h)	12.6	
		REVERSE 3rd (km/h)	22.9	
		REVERSE 4th (km/h)	35.0	
	Max. rimpull (Forward) (N {kg})	81,350 {8,300}		
		(Reverse) (N {kg})	76,450 {7,800}	
	Gradeability (deg)	25		
Min. turning radius	Center of outside wheel (mm)	4,650		
	Outside portion of chassis (mm)	5,430		
Dimensions	Overall length (with bolt-on teeth) (mm)	6,550		
	Overall width (chassis) (mm)	2,310		
	Bucket width (mm)	2,455		
	Overall height (top of cab) (mm)	3,095		
		(Bucket raised) (mm)	4,695	
	Wheelbase (mm)	2,700		
	Tread (mm)	1,820		
	Min. ground clearance (mm)	425		
	Height of bucket hinge pin (mm)	3,540		
	Dumping clearance (tip of bucket edge) (mm)	2,775		
		(tip of bolt-on teeth) (mm)	2,610	
	Dumping reach (tip of bucket edge) (mm)	960		
(tip of bolt-on teeth) (mm)		1,065		



Thank you very much  
for your reading.  
Please click here  
to get more information.