

John Deere 1165, 1175, 1175 Hydro Combines Diagnosis and Tests Service Manual (TM8202)

608B Feller Buncher (SN.
from 05014) Repair



REPAIR TECHNICAL MANUAL

Track models 608B (SN. 608BX005014—)

TMF387520 03 MAR 14 (ENGLISH)

For complete service information also see:

608B FELLER BUNCHER Operation and Test (SN. WC608BX005014-) Diagnostic	TMF387519
753G/753GL/608S/608B/608L HARVESTER Tests	TMF387452
PowerTech 8.1 L Diesel Engines Base Engine	CTM86
PowerTech 8.1L Diesel Engines Level 0 Electronic Fuel System With Denso High Pressure Common Rail	CTM255

PDF



DOWNLOAD



Covers: 1165,1175,1175

Type: Service Manual

Language: English

Pages: 438

Format: PDF

Features: Bookmarked, searchable, printable

Compatibility: Windows/Mac/Tablet/Mobile

This service manual contains important information for the maintenance, troubleshooting and servicing of the **John Deere 1165, 1175, 1175 Hydro Combines Diagnosis and Tests Service Manual (TM8202)**

In this manual you will find detailed specifications, illustrations, schematics, diagrams and step-by-step procedures to properly service and diagnose the machine to the manufacturer's standards.

Contents:

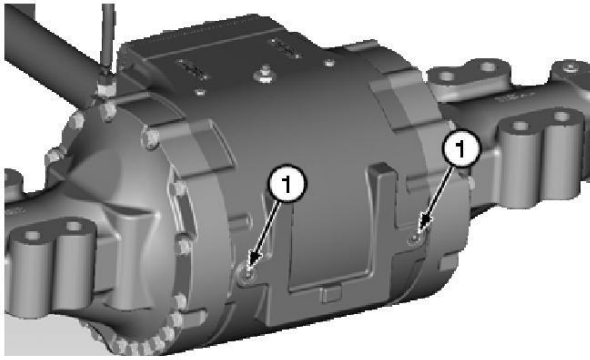
- General Information
- Specifications
- Serial Number Location
- Engine Specifications
- Engine Diagnostics
- Engine Tests and Adjustments
- Engine Repair
- Power Train
- Transmission
- Axles
- Differential
- PTO
- Hydraulic System
- Electrical System
- Electrical Tests and Diagnostics
- Wiring Diagram / Schematic
- Ignition and Charging
- Steering
- Brakes
- Wheels
- Operator's Platform
- Body Panels
- Disassembly and Assembly
- Diagnostics, Tests and Adjustments
- Troubleshooting
- and much more...

Please note this manual is in **downloadable PDF format only**. If you have any questions about this product or would like to request sample pages, please contact us and reference the product name or SKU.

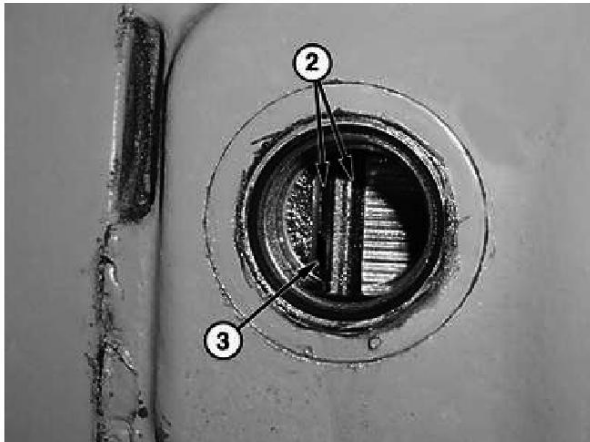
External Service Brake Inspection

SERVICE EQUIPMENT AND TOOLS

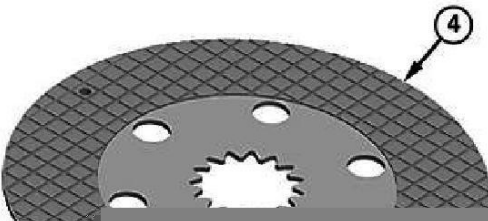
Feeler Gauge




YN1164147-UN: Inspection Plugs



TX1014605A-UN: Brake Inspection Port



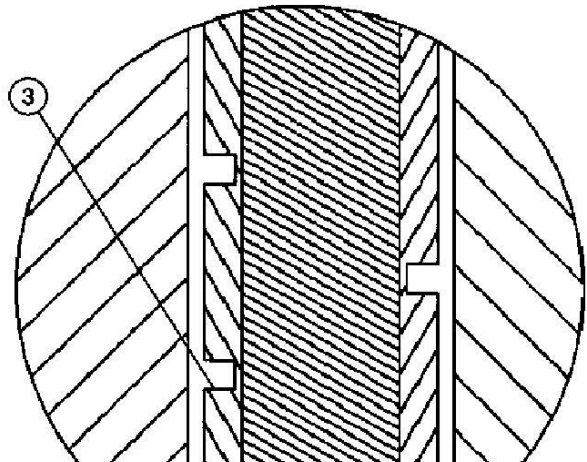
-  **CAUTION:**
Prevent possible injury. High-pressure release of oil from pressurized system can cause serious burns or penetrating injury. Slowly loosen the plug to relieve any pressure.

NOTE:

For rear axle brake inspection, remove oscillating support.

Remove plug (1) from brake inspection port.

- Inspect the brake linings (2) on each side of the brake disc (4).





Thank you very much
for your reading.
Please click here
to get more information.