

John Deere 1165, 1175, 1175 Hydro Combines Service Repair Technical Manual (TM8205)

**7210R, 7230R,
7250R, 7270R,
7290R, 7310R (7R)
Tractors Diagnostic**

DIAGNOSIS AND TESTS MANUAL

7210R, 7230R, 7250R, 7270R, 7290R, 7310R, 7R (S. N. 080001—)

TM118819 09OCT15 (ENGLISH)



John Deere Agriculture

Covers: 1165,053913,1175,053913,1175,054574

Type: Service Manual

Language: English

Pages: 617

Format: PDF

Features: Bookmarked, searchable, printable

Compatibility: Windows/Mac/Tablet/Mobile

This service manual contains important information for the maintenance, troubleshooting and servicing of the **John Deere 1165, 1175, 1175 Hydro Combines Service Repair Technical Manual (TM8205)**

In this manual you will find detailed specifications, illustrations, schematics, diagrams and step-by-step procedures to properly service and diagnose the machine to the manufacturer's standards.

Contents:

- General Information
- Specifications
- Serial Number Location
- Engine Specifications
- Engine Diagnostics
- Engine Tests and Adjustments
- Engine Repair
- Power Train
- Transmission
- Axles
- Differential
- PTO
- Hydraulic System
- Electrical System
- Electrical Tests and Diagnostics
- Wiring Diagram / Schematic
- Ignition and Charging
- Steering
- Brakes
- Wheels
- Operator's Platform
- Body Panels
- Disassembly and Assembly
- Diagnostics, Tests and Adjustments
- Troubleshooting
- and much more...

Please note this manual is in **downloadable PDF format only**. If you have any questions about this product or would like to request sample pages, please contact us and reference the product name or SKU.

System Diagrams

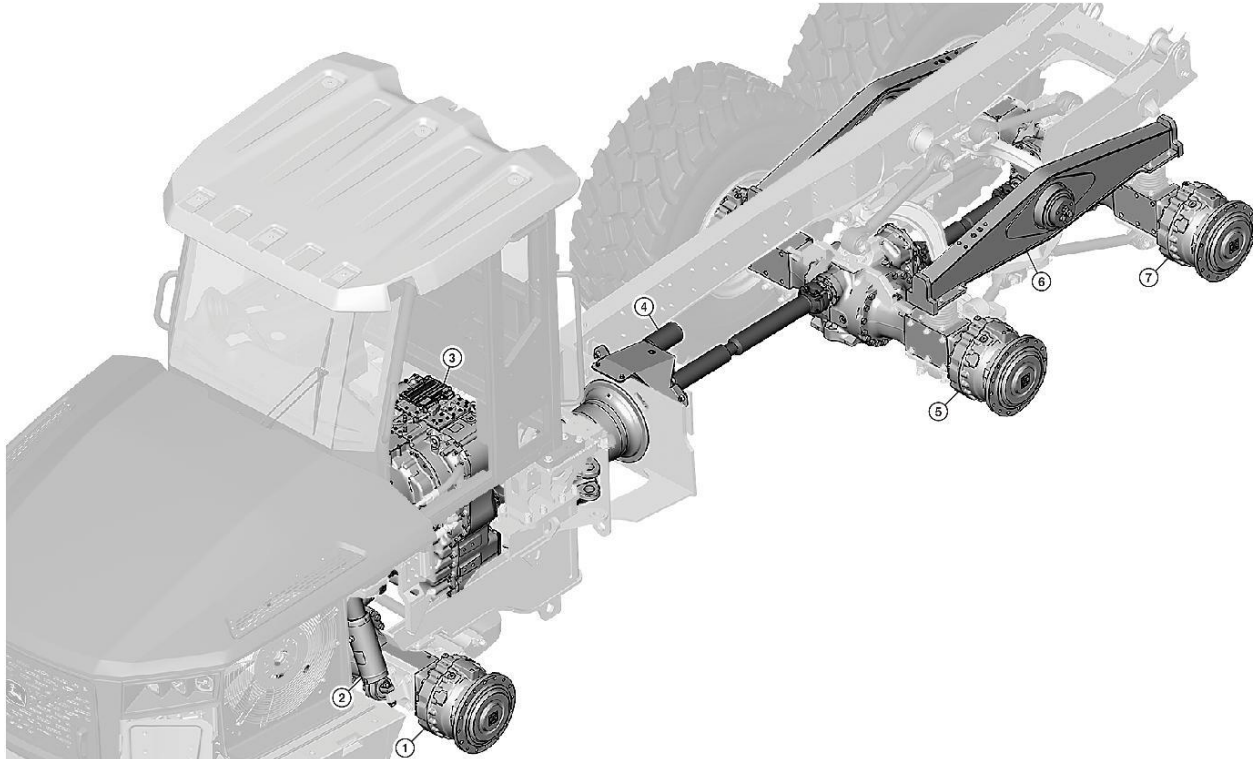
24-Clutch R (reverse) Test Port
 25-Clutch A Test Port
 26-Clutch F Test Port
 27-Clutch C Test Port
 28-Clutch G (inter-axle differential lock) Test Port

29-Transmission Valve Module
 30-Lifting Eye (3 used)
 31-Clutch E Test Port
 32-Clutch V (forward) Test Port
 33-Torque Converter Lockup Clutch Test Port

34-Breather
 35-Lube Pressure Test Port
 A5-Transmission Control Unit (TCU)
 B17-Transmission Filter Restriction Switch
 B83-Transmission Control Pressure Sensor
 W15-Transmission Control Harness

RG24085,0000158-19-20170210

Power Train Component Location



TX1217963

TX1217963-UN: Power Train Component Location

LEGEND:

1-Front Axle
 2-Strut (2 used)
 3-Transmission

4-Park Brake Assembly
 5-Middle Axle
 6-Walking Beam (2 used)

7-Rear Axle

JK05397,0005015-19-20161019

Service Brake Circuit Component Location

PN60463,0002127-19-20150427

For information on the service brake circuit, see [Hydraulic System Component Location](#). (Group 9025-10.)



Thank you very much
for your reading.
Please click here
to get more information.