

John Deere 120 Excavator Diagnostic, Operation and Test Service Manual (tm1659)

210LJ LANDSCAPE LOADER REPAIR



JOHN HARE



COLLECTION

REPAIR TECHNICAL MANUAL

210LJ Landscape Loader

TM10731 27 DEC 15 (English)

For complete service information also see:

210LJ Landscape Loader	TM10730
PowerTech E 4.5 and 6.8L Diesel Engines Level 16 Electronic Fuel System With Denso HPCR	CTM502
Super Caddy Oil Cleanup Procedure	CTM310
Hydraulic Cylinders	CTM120519
120 Series Hydraulic Cylinders	
PowerTech 4.5L & 6.8L Diesel Engines Level 16 Electronic Fuel System With Denso HPCR, Tier 3/Stage IIA Tier 3/Stage IIB	
100 Series Hydraulic Cylinders	

PDF



DOWNLOAD



Wordwide Construction and Forestry Division
Printed by Belgreen



Type: Service Manual

Language: English

Pages: 647

Format: PDF

Features: Bookmarked, searchable, printable

Compatibility: Windows/Mac/Tablet/Mobile

This service manual contains important information for the maintenance, troubleshooting and servicing of the **John Deere 120 Excavator Diagnostic, Operation and Test Service Manual (tm1659)**

In this manual you will find detailed specifications, illustrations, schematics, diagrams and step-by-step procedures to properly service and diagnose the machine to the manufacturer's standards.

Contents:

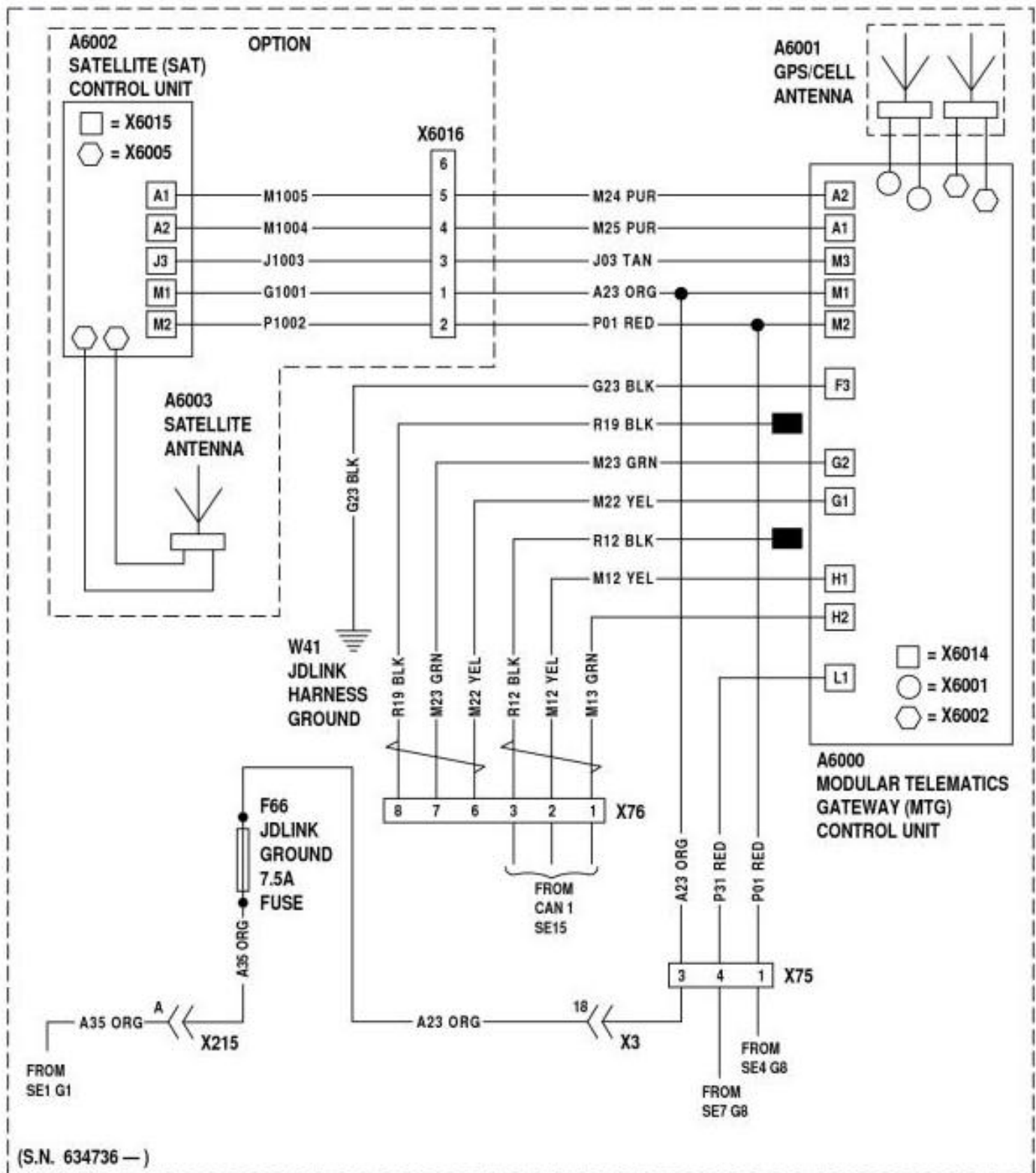
- General Information
- Specifications
- Serial Number Location
- Engine Specifications
- Engine Diagnostics
- Engine Tests and Adjustments
- Engine Repair
- Power Train
- Transmission
- Axles
- Differential
- PTO
- Hydraulic System
- Electrical System
- Electrical Tests and Diagnostics
- Wiring Diagram / Schematic
- Ignition and Charging
- Steering
- Brakes
- Wheels
- Operator's Platform
- Body Panels
- Disassembly and Assembly
- Diagnostics, Tests and Adjustments
- Troubleshooting
- and much more...

Please note this manual is in **downloadable PDF format only**. If you have any questions about this product or would like to request sample pages, please contact us and reference the product name or SKU.

JDLink™ System Functional Schematic—MTG/SAT

Machine may be equipped with one of two different JDLink™ systems. See [JDLink™ System Identification](#). (Group 9015-20.)

JDLink™ System Functional Schematic—If Equipped (S.N 634736—)



(S.N. 634736 —)

SE49

524K SYSTEM FUNCTIONAL SCHEMATIC (17 OF 17)

TX1084643

JDLink™ System Functional Schematic (SE49)

LEGEND:



Thank you very much
for your reading.
Please click here
to get more information.