

John Deere 130G, 130GLC (SN.from D040001) Excavator Service Repair Technical Manual (TM14289X19)

**9450 Combines
(695101-) 9550
Combines (695201-
) 9650 Combines
(695301-) Repair**

REPAIR TECHNICAL MANUAL

Combines models 9450 (S.N. 695101-), 9550 (S.N. 695201-), 9650 (S.N. 695301-)

TM2001 05 OCT 13 (ENGLISH)

For complete service information also see:

9450, 9550, 9650 Combines Diagnostic	TM2002
PowerTech 8.1 L Diesel Engines Base Engine	CTM86
Alternators and Starting Motors	CTM77
PowerTech 8.1L Diesel Engines Level 9 Electronic Fuel System With Direct Pressure Common Rail	CTM255
PowerTech 4.5L Mechanical Fuel System	
PowerTech 4.5L & 6.8L Diesel Engines (Tier 1/Stage I, Tier 2/Stage II, Tier 3/Stage IIA Tier 3/Stage IIB Engine)	

PDF



DOWNLOAD



John Deere Agriculture

Covers: 130G,130GLC,1F9130GX_,_D040001 (7 icons)

Type: Service Manual

Language: English

Pages: 367

Format: PDF

Features: Bookmarked, searchable, printable

Compatibility: Windows/Mac/Tablet/Mobile

This service manual contains important information for the maintenance, troubleshooting and servicing of the **John Deere 130G, 130GLC (SN.from D040001) Excavator Service Repair Technical Manual (TM14289X19)**

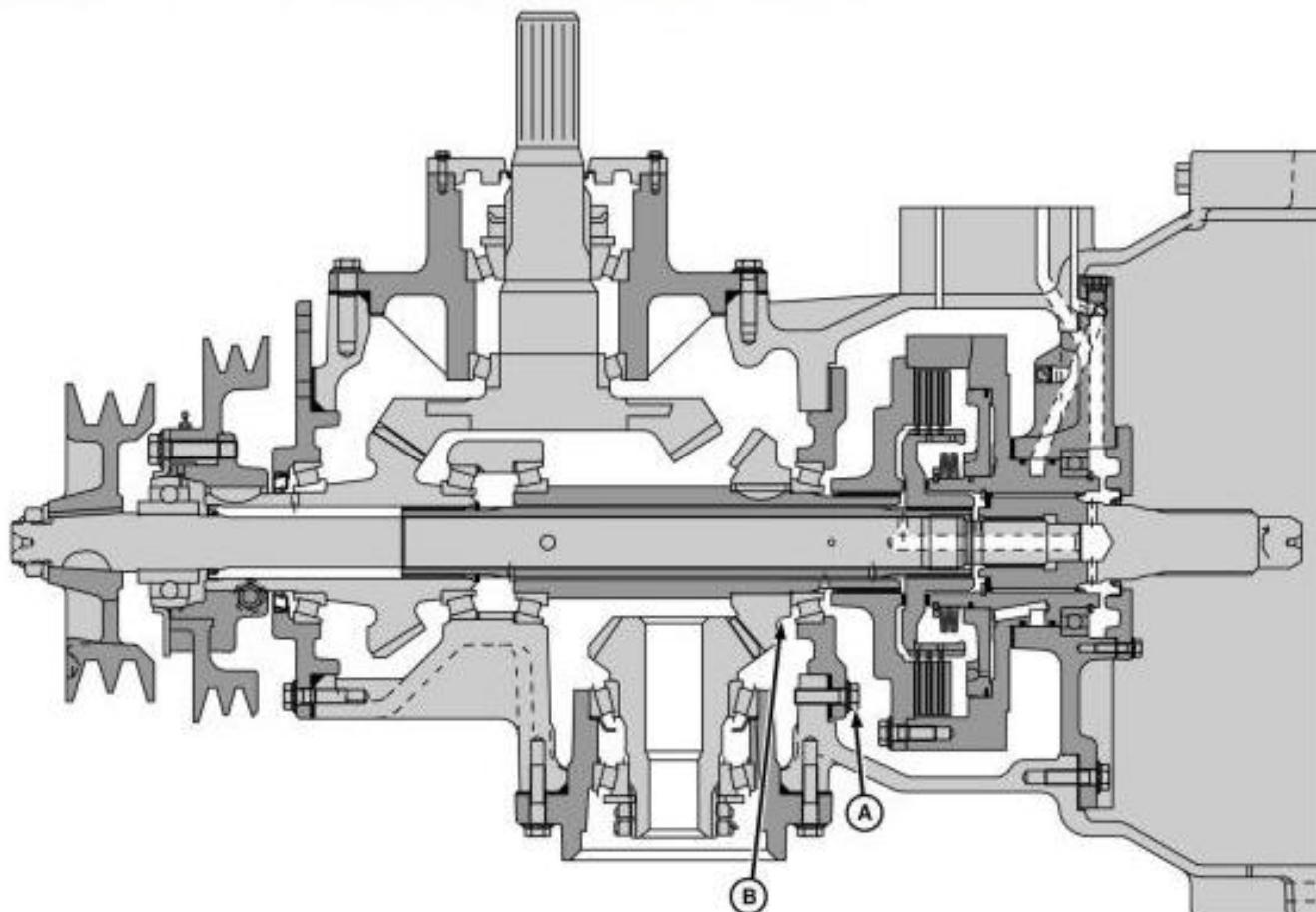
In this manual you will find detailed specifications, illustrations, schematics, diagrams and step-by-step procedures to properly service and diagnose the machine to the manufacturer's standards.

Contents:

- General Information
- Specifications
- Serial Number Location
- Engine Specifications
- Engine Diagnostics
- Engine Tests and Adjustments
- Engine Repair
- Power Train
- Transmission
- Axles
- Differential
- PTO
- Hydraulic System
- Electrical System
- Electrical Tests and Diagnostics
- Wiring Diagram / Schematic
- Ignition and Charging
- Steering
- Brakes
- Wheels
- Operator's Platform
- Body Panels
- Disassembly and Assembly
- Diagnostics, Tests and Adjustments
- Troubleshooting
- and much more...

Please note this manual is in **downloadable PDF format only**. If you have any questions about this product or would like to request sample pages, please contact us and reference the product name or SKU.

Disassemble and Assemble Hydrostatic Gear Set



Hydrostatic Gear Set

LEGEND:

A Cap Screw (6 used)
B Gear

[1] - Remove separator drive wet clutch. (See procedure in this group.)

[2] - Remove six cap screws (A) and remove housing and shims.

[3] - Remove gear assembly (B).

[4] - Inspect gear teeth for wear and bearings for roughness.

[5] -

IMPORTANT:

Gears are available only as a matched set. Replace as a matched set.

Replace parts as necessary.



Thank you very much
for your reading.
Please click here
to get more information.