

John Deere 130G (T3/S3a) Excavator (S.N. 1FF130GX_D040001) Operation & Test Service Manual (TM12554)

130G Excavator Diagnostic

OPERATION AND TEST MANUAL

(T3/S3a) models 130G (PIN: 1FF130GX_D040001 -)

TM12554 10SEP15 (ENGLISH)

For complete service information also see:

130G Excavator Repair (PIN: 1FF130GX_D040001-) TM12557

JLink (MTG) Technical Manual TM114519

PowerTech E 4.5 and 6.8L Diesel Engines
Level 16 Electronic Fuel System With Denso HPCR CTM502

PowerTech 4.5L & 6.8L Diesel Engines
Tier 1/Stage I, Tier 2/Stage II CTM104

3/Stage IIIA, Tier III, (Base Engine)
JDLINK/ZXLINK Machine System



John Deere Construction and Forestry

Type: Service Manual

Language: English

Pages: 1127

Format: PDF

Features: Bookmarked, searchable, printable

Compatibility: Windows/Mac/Tablet/Mobile

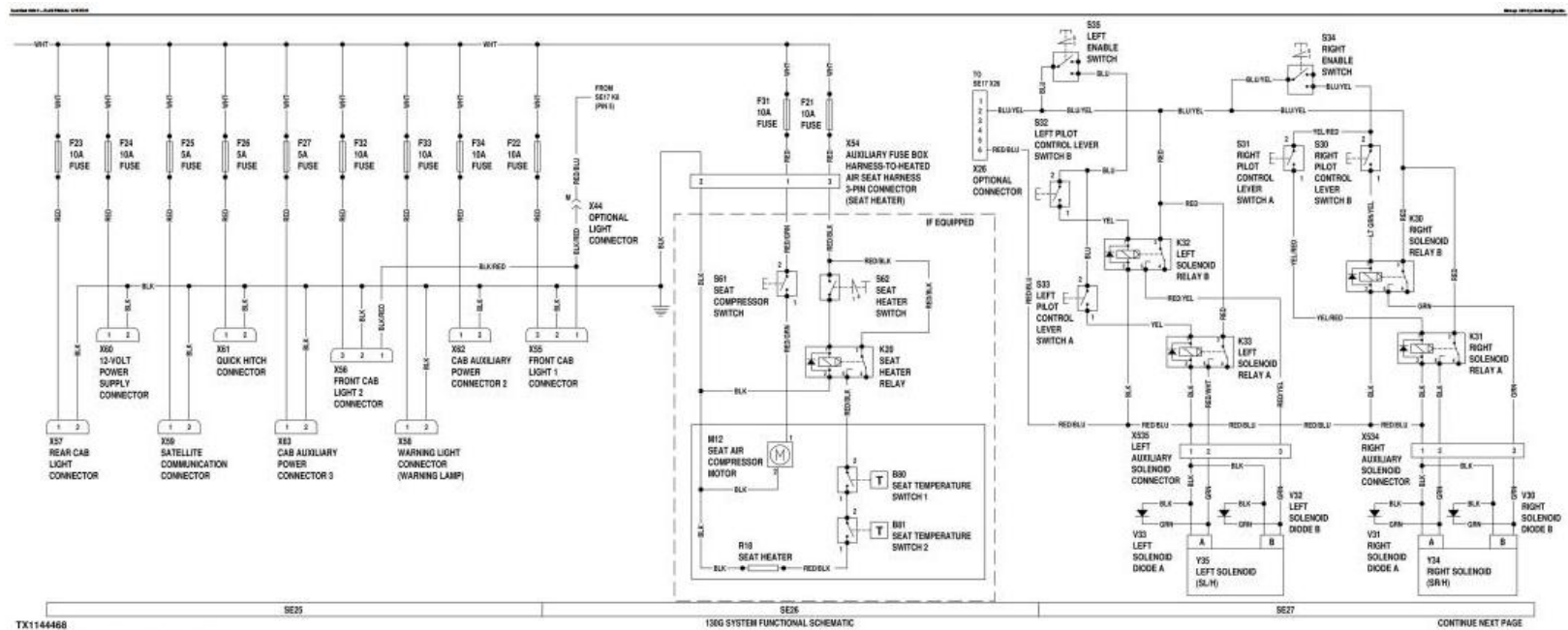
This service manual contains important information for the maintenance, troubleshooting and servicing of the **John Deere 130G (T3/S3a) Excavator (S.N. 1FF130GX_D040001) Operation & Test Service Manual (TM12554)**

In this manual you will find detailed specifications, illustrations, schematics, diagrams and step-by-step procedures to properly service and diagnose the machine to the manufacturer's standards.

Contents:

- General Information
- Specifications
- Serial Number Location
- Engine Specifications
- Engine Diagnostics
- Engine Tests and Adjustments
- Engine Repair
- Power Train
- Transmission
- Axles
- Differential
- PTO
- Hydraulic System
- Electrical System
- Electrical Tests and Diagnostics
- Wiring Diagram / Schematic
- Ignition and Charging
- Steering
- Brakes
- Wheels
- Operator's Platform
- Body Panels
- Disassembly and Assembly
- Diagnostics, Tests and Adjustments
- Troubleshooting
- and much more...

Please note this manual is in **downloadable PDF format only**. If you have any questions about this product or would like to request sample pages, please contact us and reference the product name or SKU.



TX1144468 136G SYSTEM FUNCTIONAL SCHEMATIC CONTINUE NEXT PAGE

136G System Functional Schematics (3823-000017) (Rev. 12) (S.A. - 4407794)



Thank you very much
for your reading.
Please click here
to get more information.