

John Deere 131, 324, 324A, 328, 328A, 331 Mower-Conditioners All Inclusive Technical Manual TM300619

3756G and 3756GLC Log
Loader Operation and
Test

(PIN: 1FF7576G D376001)



Covers: 131,324,328,331,324A,328A

Type: Service Manual

Language: English

Pages: 134

Format: PDF

Features: Bookmarked, searchable, printable

Compatibility: Windows/Mac/Tablet/Mobile

This service manual contains important information for the maintenance, troubleshooting and servicing of the **John Deere 131, 324, 324A, 328, 328A, 331 Mower-Conditioners All Inclusive Technical Manual TM300619**

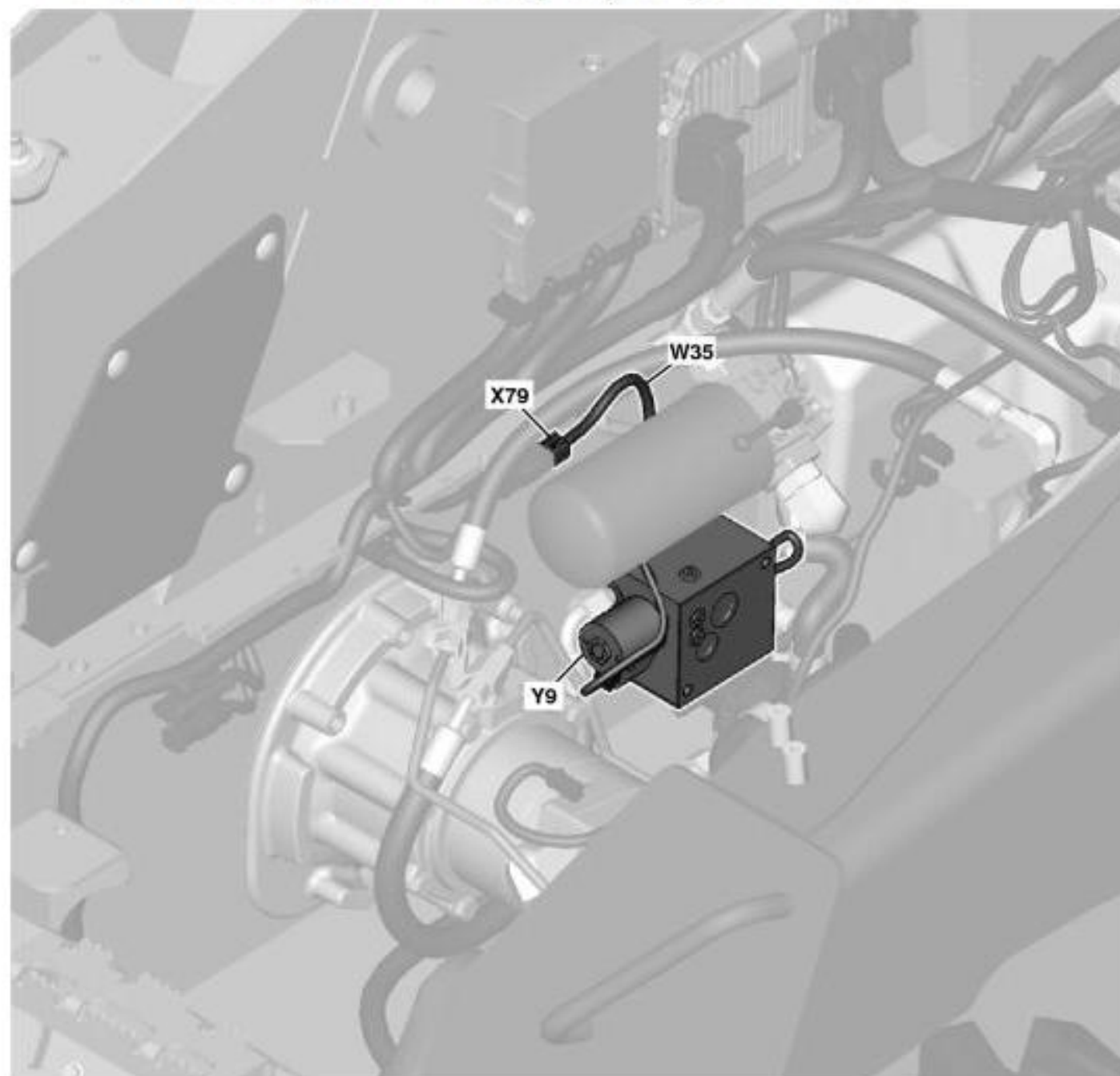
In this manual you will find detailed specifications, illustrations, schematics, diagrams and step-by-step procedures to properly service and diagnose the machine to the manufacturer's standards.

Contents:

- General Information
- Specifications
- Serial Number Location
- Engine Specifications
- Engine Diagnostics
- Engine Tests and Adjustments
- Engine Repair
- Power Train
- Transmission
- Axles
- Differential
- PTO
- Hydraulic System
- Electrical System
- Electrical Tests and Diagnostics
- Wiring Diagram / Schematic
- Ignition and Charging
- Steering
- Brakes
- Wheels
- Operator's Platform
- Body Panels
- Disassembly and Assembly
- Diagnostics, Tests and Adjustments
- Troubleshooting
- and much more...

Please note this manual is in **downloadable PDF format only**. If you have any questions about this product or would like to request sample pages, please contact us and reference the product name or SKU.

Pump Pressure Bypass Harness (W35) Component Location



TX1203051

Hydrostatic Control Valve Harness (W35) Component Location (S.N. 269402–288041)

LEGEND:

W35	Pump Pressure Bypass Harness
X79	Pump Pressure Bypass Harness Connector
Y9	Pump Pressure Bypass Solenoid



Thank you very much
for your reading.
Please click here
to get more information.