

# John Deere 160GLC (PIN:1F9160GX\_D055001-) Excavator Service Repair Technical Manual (TM13193X19)

## 160GLC Excavator Repair

### REPAIR TECHNICAL MANUAL

160GLC (PIN: 1F9160GX\_D055001- )

TM13193X19 09OCT15 (ENGLISH)

For complete service information also see:

160GLC Excavator Diagnostic TM13192X19

JDLink (MTG) Technical Manual TM114519

PowerTech E 4.5 and 6.8L Diesel Engines Level 16 Electronic Fuel System With Denso HPCR CTM502

PowerTech 4.5L & 6.8L Diesel Engines Tier 1/Stage I, Tier 2/Stage II, Tier 3/Stage IIIA, Tier 3/Stage IIIB, Tier 3/Stage III, (Base CTM104



John Deere Construction and Forestry

**Covers:** 160GLC,1F9160GX\_D055001-)

**Type:** Service Manual

**Language:** English

**Pages:** 588

**Format:** PDF

**Features:** Bookmarked, searchable, printable

**Compatibility:** Windows/Mac/Tablet/Mobile

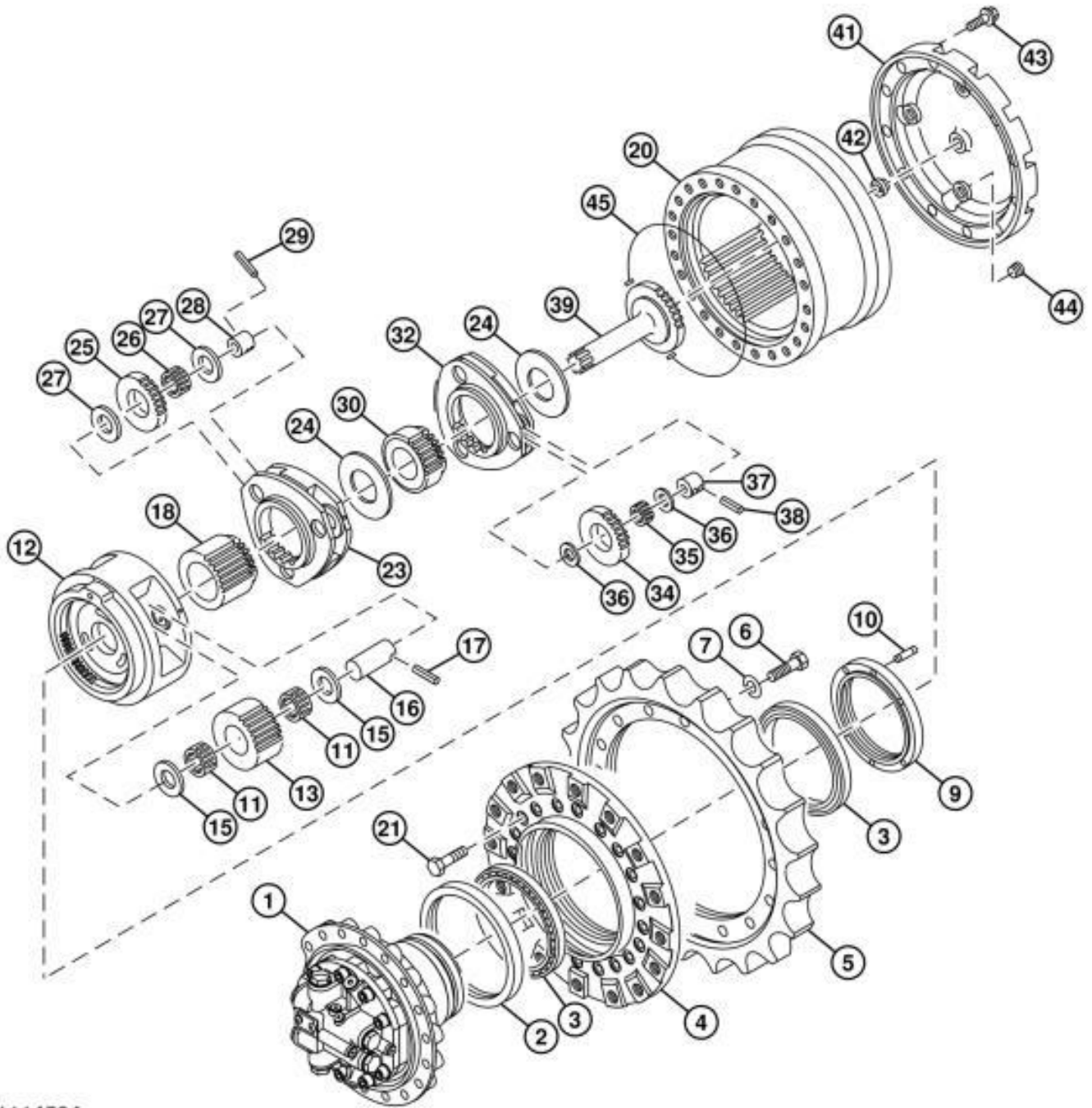
This service manual contains important information for the maintenance, troubleshooting and servicing of the **John Deere 160GLC (PIN:1F9160GX\_D055001-) Excavator Service Repair Technical Manual (TM13193X19)**

In this manual you will find detailed specifications, illustrations, schematics, diagrams and step-by-step procedures to properly service and diagnose the machine to the manufacturer's standards.

**Contents:**

- General Information
- Specifications
- Serial Number Location
- Engine Specifications
- Engine Diagnostics
- Engine Tests and Adjustments
- Engine Repair
- Power Train
- Transmission
- Axles
- Differential
- PTO
- Hydraulic System
- Electrical System
- Electrical Tests and Diagnostics
- Wiring Diagram / Schematic
- Ignition and Charging
- Steering
- Brakes
- Wheels
- Operator's Platform
- Body Panels
- Disassembly and Assembly
- Diagnostics, Tests and Adjustments
- Troubleshooting
- and much more...

Please note this manual is in **downloadable PDF format only**. If you have any questions about this product or would like to request sample pages, please contact us and reference the product name or SKU.



TX1114524

**Travel Gear Case**

**LEGEND:**

- 1 Travel Motor
- 2 Metal Face Seal
- 3 Tapered Roller Bearing (2 used)
- 4 Drum
- 5 Sprocket
- 6 Cap Screw (16 used)
- 7 Lock Washer (16 used)
- 9 Bearing Nut
- 10 Dowel Pin
- 11 Needle Bearing (6 used)
- 12 Third Stage Planetary Carrier
- 13 Planetary Gear (3 used)
- 15 Thrust Plate (6 used)
- 16 Pin Fastener (3 used)
- 17 Spring Pin (3 used)



Thank you very much  
for your reading.  
Please click here  
to get more information.