

# John Deere 160GLC (PIN: 1FF160GX\_D055001) T3/S3A Diagnostic, Excavator Operation and Test (TM12548)

## 160GLC Excavator Diagnostic

### OPERATION AND TEST MANUAL

T3/S3A models 160GLC (S.N.1FF160GX\_D055001-)

TM12548 11SEP15 (ENGLISH)

For complete service information also see:

160GLC Excavator Repair (PIN: 1FF160GX_D055001- )	TM12551
JDLink (MTG) Technical Manual	TM114519
PowerTech E 4.5 and 6.8L Diesel Engines Level 16 Electronic Fuel System With Denso HPCR	CTM502
Super Caddy Oil Cleanup Procedure	CTM310
PowerTech 4.5L Diesel Engines Tier 1/Stage I, Tier 2/Stage II, Tier 3/Stage IIIA, Tier 4/Stage IIIB, III, (Base Engine)	

PDF



DOWNLOAD



John Deere Construction and Forestry

Covers: 160GLC,1FF160GX\_D055001)

**Type:** Service Manual

**Language:** English

**Pages:** 1102

**Format:** PDF

**Features:** Bookmarked, searchable, printable

**Compatibility:** Windows/Mac/Tablet/Mobile

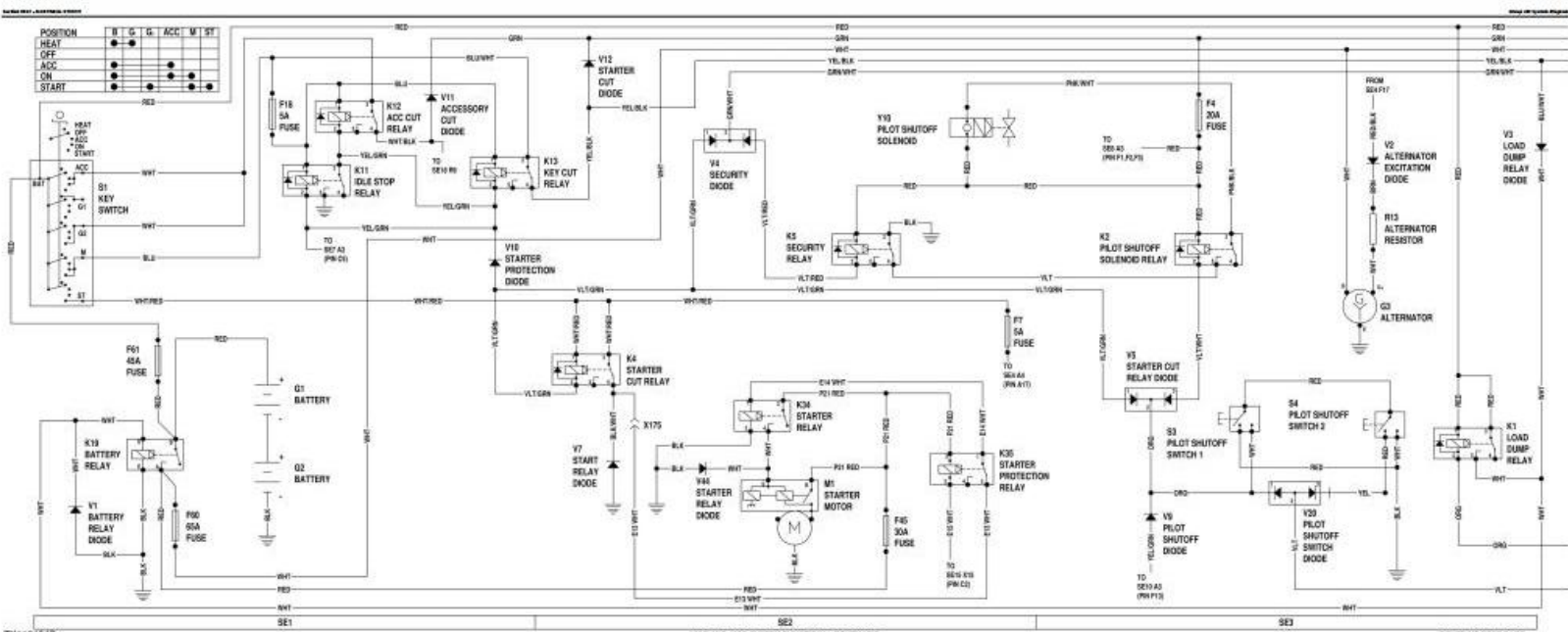
This service manual contains important information for the maintenance, troubleshooting and servicing of the **John Deere 160GLC (PIN: 1FF160GX\_D055001) T3/S3A Diagnostic, Excavator Operation and Test (TM12548)**

In this manual you will find detailed specifications, illustrations, schematics, diagrams and step-by-step procedures to properly service and diagnose the machine to the manufacturer's standards.

**Contents:**

- General Information
- Specifications
- Serial Number Location
- Engine Specifications
- Engine Diagnostics
- Engine Tests and Adjustments
- Engine Repair
- Power Train
- Transmission
- Axles
- Differential
- PTO
- Hydraulic System
- Electrical System
- Electrical Tests and Diagnostics
- Wiring Diagram / Schematic
- Ignition and Charging
- Steering
- Brakes
- Wheels
- Operator's Platform
- Body Panels
- Disassembly and Assembly
- Diagnostics, Tests and Adjustments
- Troubleshooting
- and much more...

Please note this manual is in **downloadable PDF format only**. If you have any questions about this product or would like to request sample pages, please contact us and reference the product name or SKU.



TX116134Y 160 AND 160C SYSTEM FUNCTIONAL SCHEMATIC CONTINUE NEXT PAGE

Export Functional Schematics (EFS) are a subset of the original drawings.



Thank you very much  
for your reading.  
Please click here  
to get more information.