


John Deere 1740 Drawn Planters (SN.750101-) Diagnostic and Repair Technical Service Manual TM606619


1740 Drawn Planting and Seeding (SN. from 750101)
Diagnostic and Repair

JOHN HARE

COLLECTION



DIAGNOSIS AND TESTS MANUAL
Planters models 1740 (SN. 750101-)
TM606619 04 MAR 11 (ENGLISH)

For complete service information also see:

1700 Series Drawn & Integral Planters 1700, 1710, 1720, 1730, 1750, 1780 (SN. 740101-J) Repair	TM124719
SeedStar 2 Monitoring, Variable Rate Drive, and Row Command Diagnostic Technical Manual	TM102219
Machine Connection Information	CTM441

PDF  **DOWNLOAD** 

John Deere Agriculture
Printed by Belgreen



Covers: 1740,750101)

Type: Service Manual

Language: English

Pages: 312

Format: PDF

Features: Bookmarked, searchable, printable

Compatibility: Windows/Mac/Tablet/Mobile

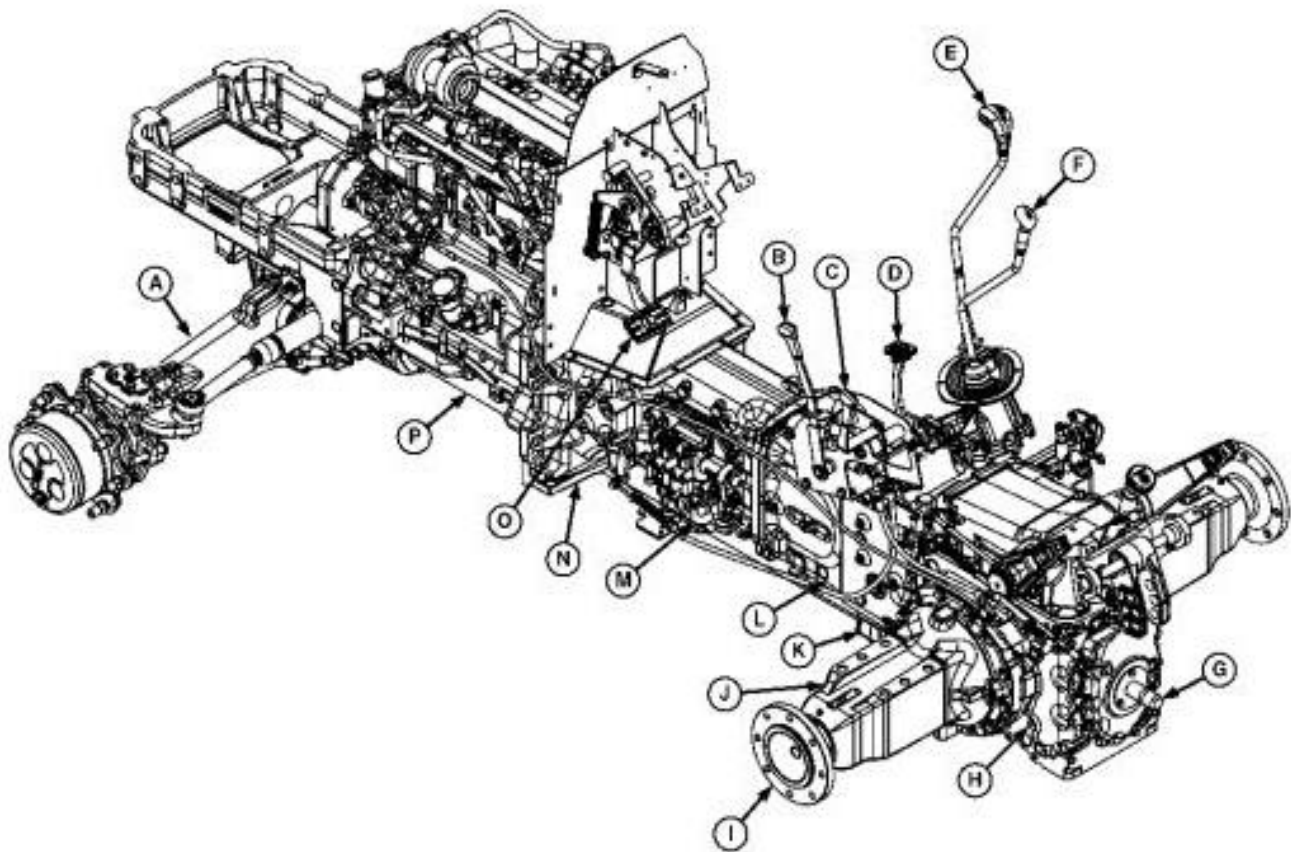
This service manual contains important information for the maintenance, troubleshooting and servicing of the **John Deere 1740 Drawn Planters (SN.750101-) Diagnostic and Repair Technical Service Manual TM606619**

In this manual you will find detailed specifications, illustrations, schematics, diagrams and step-by-step procedures to properly service and diagnose the machine to the manufacturer's standards.

Contents:

- General Information
- Specifications
- Serial Number Location
- Engine Specifications
- Engine Diagnostics
- Engine Tests and Adjustments
- Engine Repair
- Power Train
- Transmission
- Axles
- Differential
- PTO
- Hydraulic System
- Electrical System
- Electrical Tests and Diagnostics
- Wiring Diagram / Schematic
- Ignition and Charging
- Steering
- Brakes
- Wheels
- Operator's Platform
- Body Panels
- Disassembly and Assembly
- Diagnostics, Tests and Adjustments
- Troubleshooting
- and much more...

Please note this manual is in **downloadable PDF format only**. If you have any questions about this product or would like to request sample pages, please contact us and reference the product name or SKU.



Power Train Components

LEGEND:

- A MFWD Axle (optional)
- B PTO Engagement Lever
- C EPTO Lever
- D Differential Lock Pedal
- E Range Shift Lever
- F Gearshift Lever
- G PTO Output Shaft
- H Differential Housing
- I Axle
- J Final Drive
- K MFWD Drop Gearbox (optional)
- L Transmission Housing
- M PowrReverser™ Control Valve
- N Clutch Housing
- O Clutch Pedal
- P MFWD Drive Shaft (optional)



Thank you very much
for your reading.
Please click here
to get more information.