

John Deere 1770NT, 1770NT CCS 12-Row Planter (SN.◆◆◆◆◆◆◆◆740100) Service Repair Technical Manual (TM2183)

620G, 620GP, 622G, 622GP Motor Graders Operation and Test

(PIN: 1DW620G__F680878—;
PIN: 1DW622G__F680878—;
PIN: 1DW620G__L700954—;
PIN: 1DW622G__L700954—)



JOHN HARE





COLLECTION

OPERATION & TEST TECHNICAL MANUAL

620G, 620GP, 622G, 622GP Motor Graders (PIN:
1DW620G__F680878—; PIN: 1DW622G__
_F680878—; PIN: 1DW620G__L700954—; PIN:
1DW622G__L700954—)

TM14240X19 01DEC18 (ENGLISH)

For complete service info

PDF  **DOWNLOAD** 

620G, 620GP, 622G, 622GP Motor Graders ctm1308
DF180 Series Powershift Transmission Rebuild ctm1308
PowerTech 6068 OEM Diesel Engines (Final Tier 4 Stage IV
platform) Level 33 ECU ctm120019
TeamMate™ II 1400 Series Inboard Planetary Axles ctm138619

Worldwide Construction and
Forestry Division

Covers: (SN.◆◆◆◆◆◆◆◆740100); 1770NT, 12ROW, 1770NT, 12ROW

Type: Service Manual

Language: English

Pages: 637

Format: PDF

Features: Bookmarked, searchable, printable

Compatibility: Windows/Mac/Tablet/Mobile

This service manual contains important information for the maintenance, troubleshooting and servicing of the **John Deere 1770NT, 1770NT CCS 12-Row Planter (SN.◆◆◆◆◆◆◆◆740100) Service Repair Technical Manual (TM2183)**

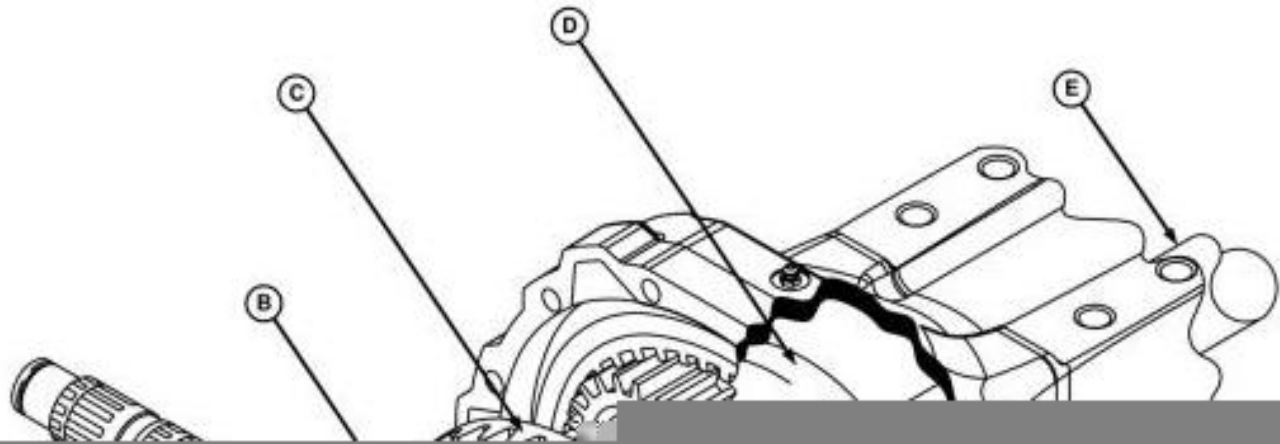
In this manual you will find detailed specifications, illustrations, schematics, diagrams and step-by-step procedures to properly service and diagnose the machine to the manufacturer's standards.

Contents:

- General Information
- Specifications
- Serial Number Location
- Engine Specifications
- Engine Diagnostics
- Engine Tests and Adjustments
- Engine Repair
- Power Train
- Transmission
- Axles
- Differential
- PTO
- Hydraulic System
- Electrical System
- Electrical Tests and Diagnostics
- Wiring Diagram / Schematic
- Ignition and Charging
- Steering
- Brakes
- Wheels
- Operator's Platform
- Body Panels
- Disassembly and Assembly
- Diagnostics, Tests and Adjustments
- Troubleshooting
- and much more...

Please note this manual is in **downloadable PDF format only**. If you have any questions about this product or would like to request sample pages, please contact us and reference the product name or SKU.

Differential Power Flow





Thank you very much
for your reading.
Please click here
to get more information.