

John Deere 1775NT 16row Planter w.Display-Based Frame Control Diagnostic Technical Manual (TM144919)

**5083E and 5093E
Tractors Diagnostic
Technical Manual**



JOHN HARE



COLLECTION

**DIAGNOSTIC TECHNICAL MANUAL
5083E and 5093E Tractors**

TM609619 01DEC18 (ENGLISH)



John Deere Mexico

Covers: 1775NT

Type: Service Manual

Language: English

Pages: 707

Format: PDF

Features: Bookmarked, searchable, printable

Compatibility: Windows/Mac/Tablet/Mobile

This service manual contains important information for the maintenance, troubleshooting and servicing of the **John Deere 1775NT 16row Planter w.Display-Based Frame Control Diagnostic Technical Manual (TM144919)**

In this manual you will find detailed specifications, illustrations, schematics, diagrams and step-by-step procedures to properly service and diagnose the machine to the manufacturer's standards.

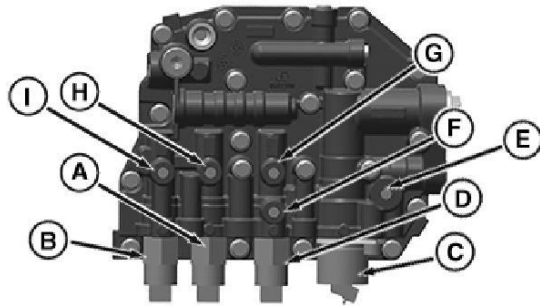
Contents:

- General Information
- Specifications
- Serial Number Location
- Engine Specifications
- Engine Diagnostics
- Engine Tests and Adjustments
- Engine Repair
- Power Train
- Transmission
- Axles
- Differential
- PTO
- Hydraulic System
- Electrical System
- Electrical Tests and Diagnostics
- Wiring Diagram / Schematic
- Ignition and Charging
- Steering
- Brakes
- Wheels
- Operator's Platform
- Body Panels
- Disassembly and Assembly
- Diagnostics, Tests and Adjustments
- Troubleshooting
- and much more...

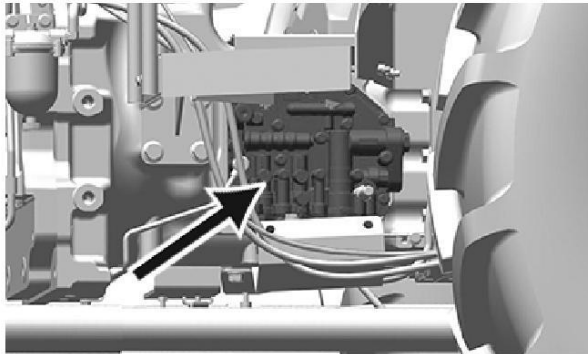
Please note this manual is in **downloadable PDF format only**. If you have any questions about this product or would like to request sample pages, please contact us and reference the product name or SKU.

G13 PR Plus Control Valve

PY21152-UN: Location



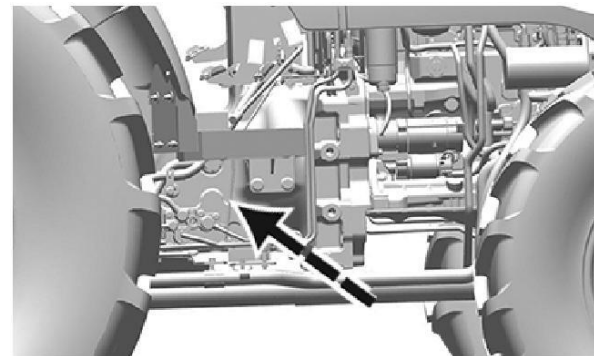
PY21157-UN: G13 PR Plus Control Valve (SJ11710)



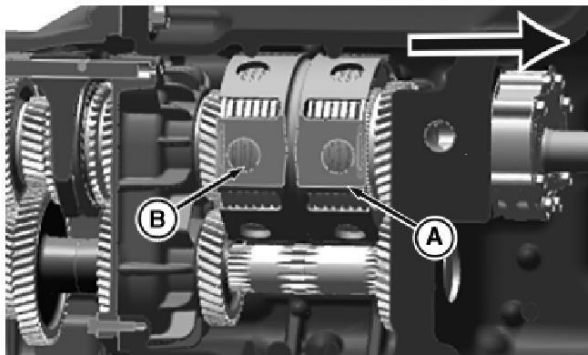
Schematic Section:	Drivetrain Hydraulic Schematic — PR Plus
Theory	Refer '12x12 And 24x12 PowrReverser™ Transmission - John Deere Pure Works' CTM
Test	Drivetrain — Tests and Adjustments
Specification	—
Terminal	Function
A	Y05 Forward/Forward Low Solenoid
B	Y06 Reverse Solenoid
C	Y07 Enable Proportional Valve Solenoid
D	Y09 Forward High Solenoid
E	X2 PR Lubrication Test Port
F	X1 PR Pump Pressure Test Port
G	X4 Forward High Clutch Pressure
H	X3 Forward/Forward Low Clutch Pressure
I	X5 Reverse Clutch Pressure

SM27053,0000257-19-20160622

G14 PR Clutch Pack



PY21156-UN: Location



PY21155-UN: G14 PR Clutch Pack

Schematic Section:	Drivetrain Hydraulic Schematic — PR
Theory	Refer '12x12 And 24x12 PowrReverser™ Transmission - John Deere Pure Works' CTM
Test	Drivetrain — Tests and Adjustments
Specification	—
Terminal	Function
A	Forward Clutch
B	Reverse Clutch

SM27053,0000258-19-20160622



Thank you very much
for your reading.
Please click here
to get more information.