

John Deere 1790 Front-Fold Planters (SN.-705100) Diagnostic and Tests Service Manual (tm2059)

3156G Log Loader Repair

(PIN: 1FF3156G_
_D316001—)



JOHN HARE



COLLECTION

REPAIR TECHNICAL MANUAL

3156G Log Loader (PIN: 1FF3156G__D316001—)

TM14032X19 01DEC18 (ENGLISH)

For complete service information also see:

3156G Log Loader Operators Manual..... OMT351629X19
3156G Log Loader Operation and Test..... TM14031X19
PowerTech 6090 Diesel Engine Level 14 ElectronicFuel
System with the Denso High Pressure Common Rail
(HPCR) Level 14 ECU.....



Worldwide Construction and
Forestry Division

Covers: 1790,(SN.-705100)

Type: Service Manual

Language: English

Pages: 432

Format: PDF

Features: Bookmarked, searchable, printable

Compatibility: Windows/Mac/Tablet/Mobile

This service manual contains important information for the maintenance, troubleshooting and servicing of the **John Deere 1790 Front-Fold Planters (SN.-705100) Diagnostic and Tests Service Manual (tm2059)**

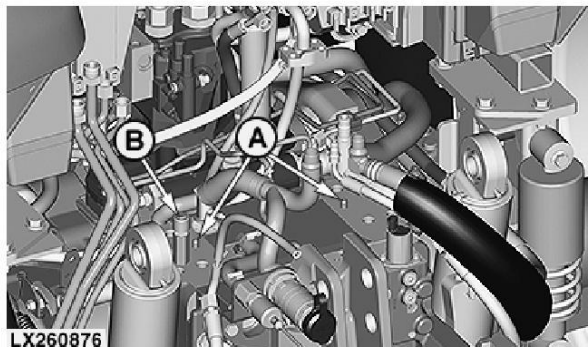
In this manual you will find detailed specifications, illustrations, schematics, diagrams and step-by-step procedures to properly service and diagnose the machine to the manufacturer's standards.

Contents:

- General Information
- Specifications
- Serial Number Location
- Engine Specifications
- Engine Diagnostics
- Engine Tests and Adjustments
- Engine Repair
- Power Train
- Transmission
- Axles
- Differential
- PTO
- Hydraulic System
- Electrical System
- Electrical Tests and Diagnostics
- Wiring Diagram / Schematic
- Ignition and Charging
- Steering
- Brakes
- Wheels
- Operator's Platform
- Body Panels
- Disassembly and Assembly
- Diagnostics, Tests and Adjustments
- Troubleshooting
- and much more...

Please note this manual is in **downloadable PDF format only**. If you have any questions about this product or would like to request sample pages, please contact us and reference the product name or SKU.

Install rockshaft bearing block



LX260876

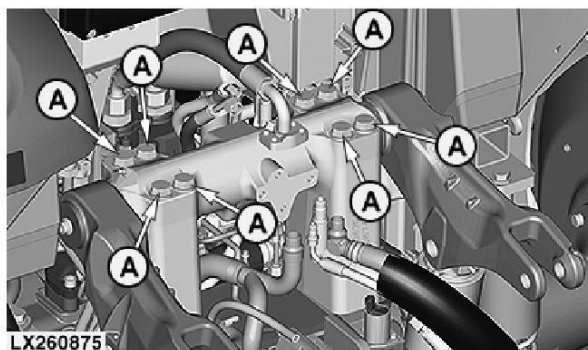
1. LX260876-UN: Install Spring Pins

LEGEND:

A-Spring Pin

B-Ventilation Valve (Differential Housing)

Install spring pins (A).



LX260875

2. LX260875-UN: Remove the bearing support

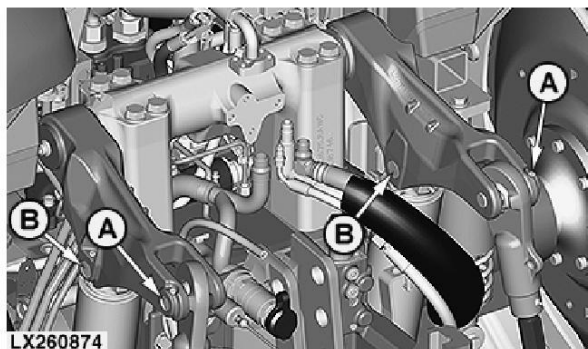
LEGEND:

A-Cap Screws (M18x315)

Carefully position rockshaft bearing block.

3. Install screws (A) and washers.

Item	Measurement	Specification
Rockshaft Bearing Block to Differential Housing		
Cap Screw, M18x315	Torque	360 N·m 266 lb-ft



LX260874

4. LX260874-UN: Remove lift link

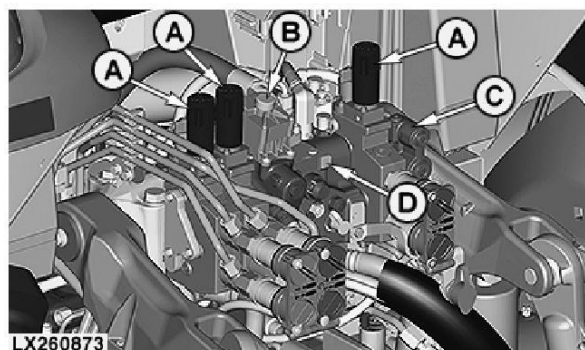
LEGEND:

A-Pin, Lift Link

B-Pin, Lift Cylinder

Install lift cylinder (B) and lift link (A) at lift arms.

5. Re-install removed brackets or other attachments at the rockshaft bearing block.



LX260873

6. LX260873-UN: Remove Hydraulic Components

LEGEND:

A-Selective Control Valves

B-Hitch Valve

C-PB Housing

D-Control Block [With PFC hydraulic system] Priority 3

D-or Priority Valve [with PC hydraulic system]

Install position sensor with toothed segment and hydraulic components (A—D).

Install position sensor. See [Remove and Install the B021 Position Sensor and Toothed Segment \(Rear Hitch\)](#) in this Group.

Install control block [With PFC hydraulic system] priority 3. See [Remove and Install the G15 and G53 Priority 3 Control Block \(PFC Hydraulic System\)](#) Section 70.

Install the priority valve [with PC hydraulic system] . See [Remove and Install the G37 Priority Valve \(PC Hydraulic System\)](#) Section 70.

7. Check hydraulic components for leaks and make sure they function correctly.
8. Check position sensor, see Hydraulic System - Hitch, Checking the Position Sensor in the Technical Diagnostic Manual, Section 270.
9. Calibrate the hitch control. See Electronic Control Units - Interactive Tests and Calibrations, Summary of References in the Technical Diagnostic Manual, Section 245.

LX24603,0000B39-19-20151210



Thank you very much
for your reading.
Please click here
to get more information.