

# John Deere 1795 Planters with ExactEmerge or ME5e Row Units Diagnostic Technical Manual (TM145119)

524K 4WD Loader  
(SN.D000001-001000)  
Repair



## REPAIR TECHNICAL MANUAL

T3/S3a models 524K (PIN: 1BZ524K\*\*\*D000001-001000)

TM13143X19 04 MAR 16 (ENGLISH)

**For complete service information also see:**

524K 4WD Loader (SN.D000001-001000) Diagnostic

TM13141X19

JDLINK (MTG) Technical Manual

TM114519

PowerTech E 4.5 and 6.8L Diesel Engines Level 16 Electronic Fuel System With Denso HPCR

CTM502

TMIV1200 - 1400 Series Inboard Pumps

CTM442

120 Series Hydraulic

PowerTech 4.5L &

3/Stage IIIA, Tier 3/Stage IIIA



John Deere Construction and Forestry  
Printed by Belgreen



**Type:** Service Manual

**Language:** English

**Pages:** 743

**Format:** PDF

**Features:** Bookmarked, searchable, printable

**Compatibility:** Windows/Mac/Tablet/Mobile

This service manual contains important information for the maintenance, troubleshooting and servicing of the **John Deere 1795 Planters with ExactEmerge or ME5e Row Units Diagnostic Technical Manual (TM145119)**

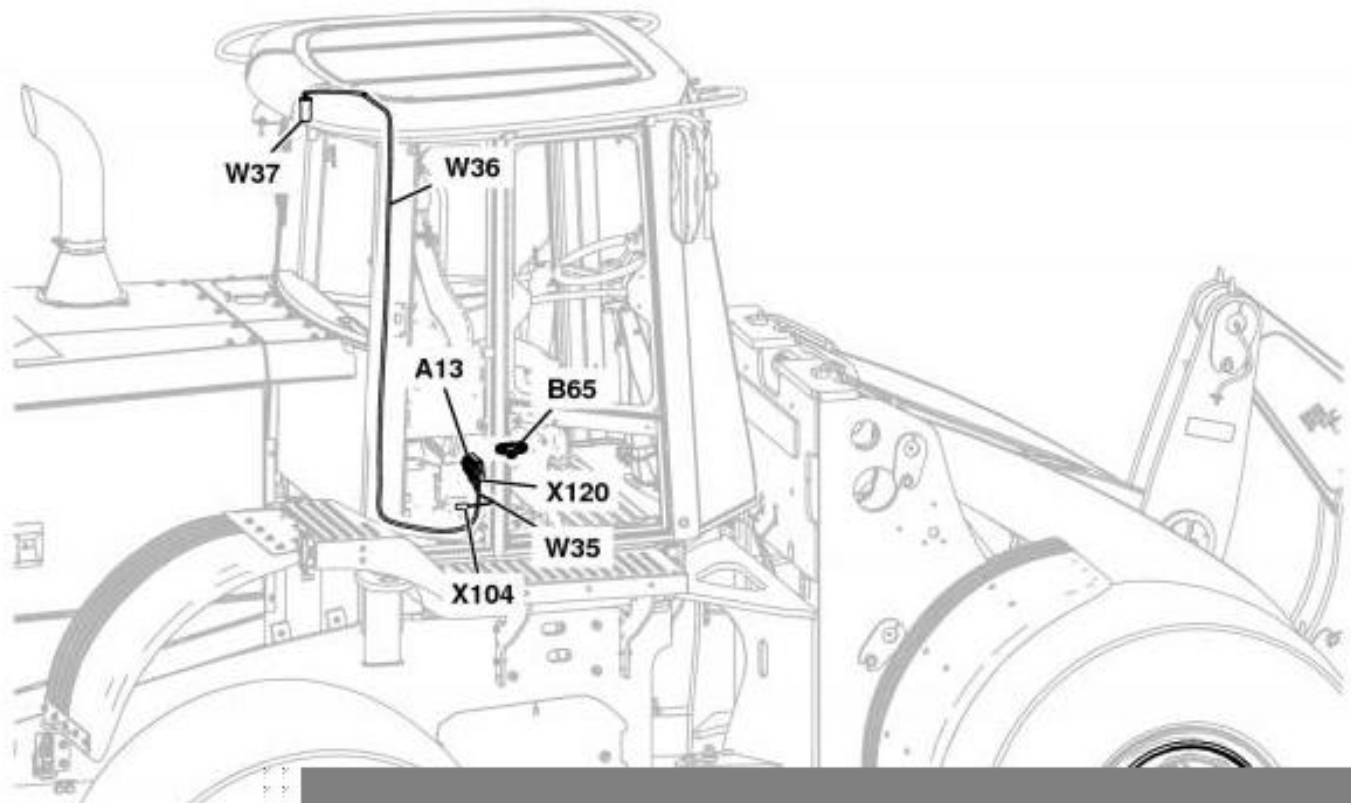
In this manual you will find detailed specifications, illustrations, schematics, diagrams and step-by-step procedures to properly service and diagnose the machine to the manufacturer's standards.

**Contents:**

- General Information
- Specifications
- Serial Number Location
- Engine Specifications
- Engine Diagnostics
- Engine Tests and Adjustments
- Engine Repair
- Power Train
- Transmission
- Axles
- Differential
- PTO
- Hydraulic System
- Electrical System
- Electrical Tests and Diagnostics
- Wiring Diagram / Schematic
- Ignition and Charging
- Steering
- Brakes
- Wheels
- Operator's Platform
- Body Panels
- Disassembly and Assembly
- Diagnostics, Tests and Adjustments
- Troubleshooting
- and much more...

Please note this manual is in **downloadable PDF format only**. If you have any questions about this product or would like to request sample pages, please contact us and reference the product name or SKU.

# Tire Pressure Monitoring (TPM) System Harness (W35) Component Location—If Equipped





Thank you very much  
for your reading.  
Please click here  
to get more information.