

John Deere 17D Compact Excavator Diagnostic, Operation and Test Manual (TM10258)

6150M and 6170M Tractors (Repair Only)

REPAIR TECHNICAL MANUAL

6150M, 6170M

TM405919 22NOV14 (ENGLISH)

For complete service information also see:

6105M, 6115M, 6125M, 6130M, 6140M,
6150M and 6170M Tractors (Worldwide) TM405719

PowerTech E 4.5 and 6.8L Diesel
Engines Level 16 Electronic Fuel
System With Denso HPCR CTM502

Front- Wheel Drive Axles 725, 730, 733,
740, 745, 750 and 755 (HD) CTM4820

Special Tools (6) TM404019

6068 PowerTech
Below 130kW (180hp)
4/Stage III B platform)

PDF



DOWNLOAD



John Deere Agriculture

Type: Service Manual

Language: English

Pages: 283

Format: PDF

Features: Bookmarked, searchable, printable

Compatibility: Windows/Mac/Tablet/Mobile

This service manual contains important information for the maintenance, troubleshooting and servicing of the **John Deere 17D Compact Excavator Diagnostic, Operation and Test Manual (TM10258)**

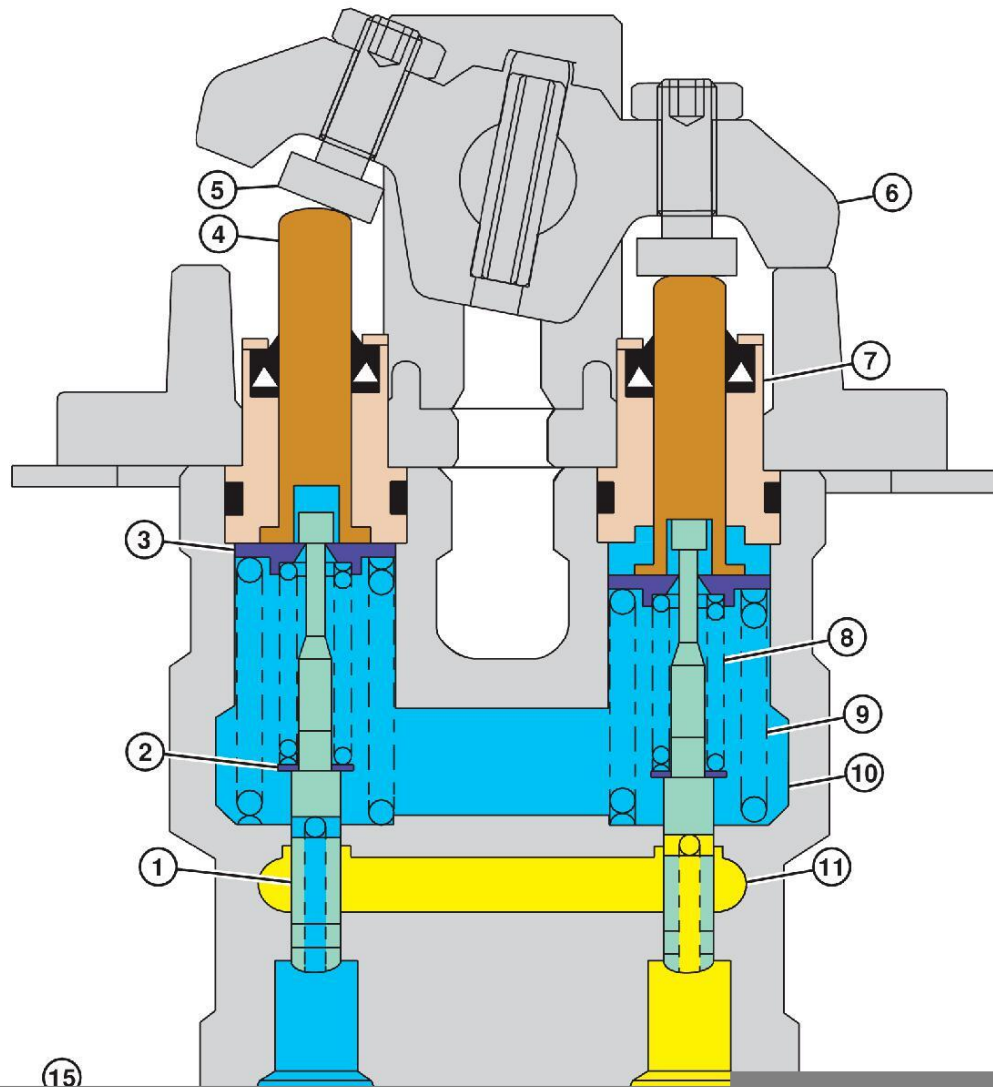
In this manual you will find detailed specifications, illustrations, schematics, diagrams and step-by-step procedures to properly service and diagnose the machine to the manufacturer's standards.

Contents:

- General Information
- Specifications
- Serial Number Location
- Engine Specifications
- Engine Diagnostics
- Engine Tests and Adjustments
- Engine Repair
- Power Train
- Transmission
- Axles
- Differential
- PTO
- Hydraulic System
- Electrical System
- Electrical Tests and Diagnostics
- Wiring Diagram / Schematic
- Ignition and Charging
- Steering
- Brakes
- Wheels
- Operator's Platform
- Body Panels
- Disassembly and Assembly
- Diagnostics, Tests and Adjustments
- Troubleshooting
- and much more...

Please note this manual is in **downloadable PDF format only**. If you have any questions about this product or would like to request sample pages, please contact us and reference the product name or SKU.

Theory of Operation





Thank you very much
for your reading.
Please click here
to get more information.