

# John Deere 190DW Wheeled Excavator Diagnostic, Operation and Test Manual (TM10542)

## 190DW Wheeled Excavator Diagnostic

### OPERATION AND TEST MANUAL

Wheeled models 190DW

TM10542 11SEP15 (ENGLISH)

For complete service information also see:

JDLink (MTG) Technical Manual	TM114519
190DW Wheeled Excavator	TM10543
Alternators and Starting Motors	CTM77
Super Caddy Oil Cleanup Procedure	CTM310



John Deere Construction and Forestry

**Type:** Service Manual

**Language:** English

**Pages:** 1412

**Format:** PDF

**Features:** Bookmarked, searchable, printable

**Compatibility:** Windows/Mac/Tablet/Mobile

This service manual contains important information for the maintenance, troubleshooting and servicing of the **John Deere 190DW Wheeled Excavator Diagnostic, Operation and Test Manual (TM10542)**

In this manual you will find detailed specifications, illustrations, schematics, diagrams and step-by-step procedures to properly service and diagnose the machine to the manufacturer's standards.

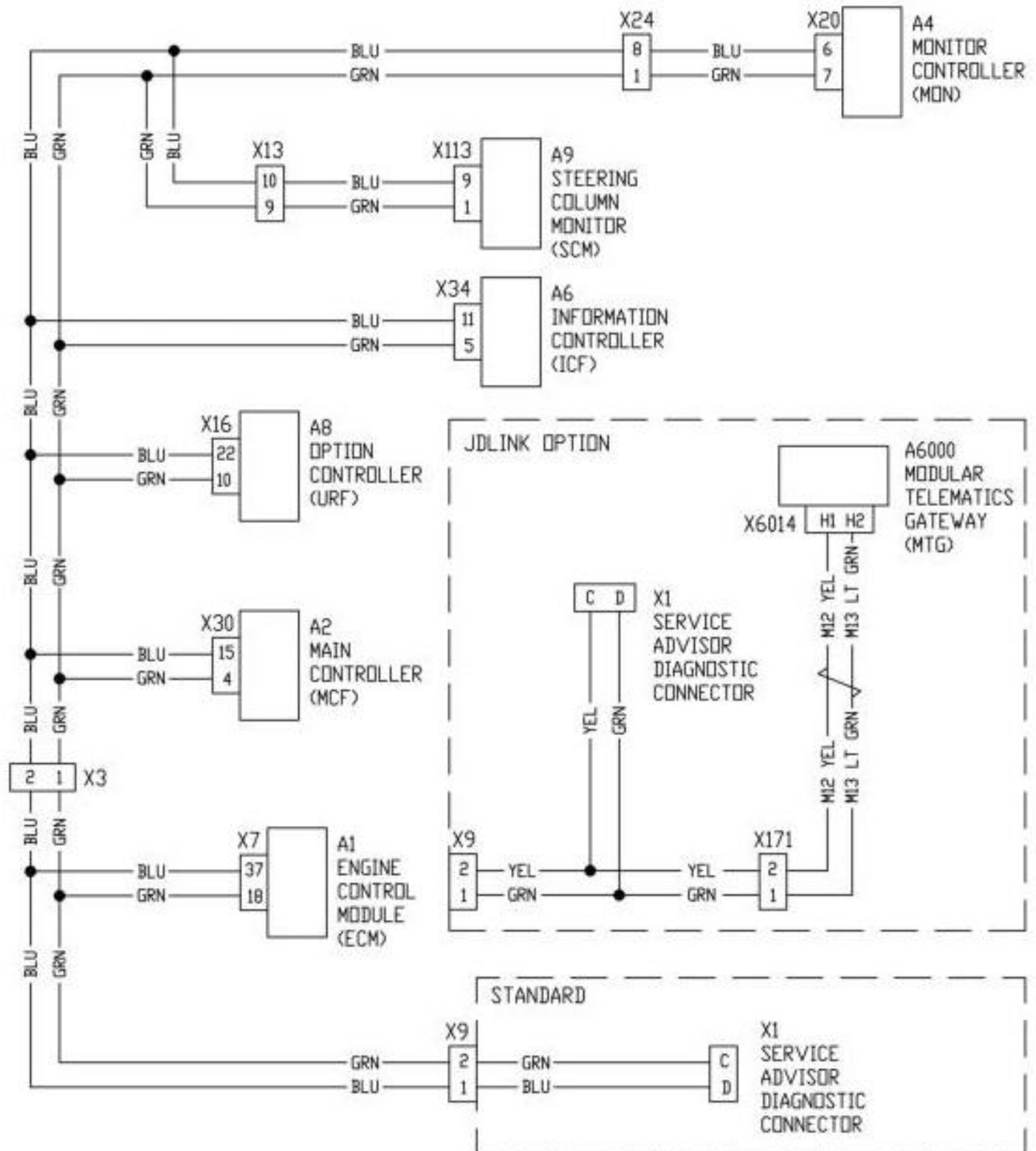
**Contents:**

- General Information
- Specifications
- Serial Number Location
- Engine Specifications
- Engine Diagnostics
- Engine Tests and Adjustments
- Engine Repair
- Power Train
- Transmission
- Axles
- Differential
- PTO
- Hydraulic System
- Electrical System
- Electrical Tests and Diagnostics
- Wiring Diagram / Schematic
- Ignition and Charging
- Steering
- Brakes
- Wheels
- Operator's Platform
- Body Panels
- Disassembly and Assembly
- Diagnostics, Tests and Adjustments
- Troubleshooting
- and much more...

Please note this manual is in **downloadable PDF format only**. If you have any questions about this product or would like to request sample pages, please contact us and reference the product name or SKU.

## Group 15 - Sub-System Diagnostics

### Controller Area Network (CAN) Theory of Operation



TX1093553

#### Controller Area Network (CAN) Circuit

**LEGEND:**

A1 Engine Control Module (ECM)



Thank you very much  
for your reading.  
Please click here  
to get more information.